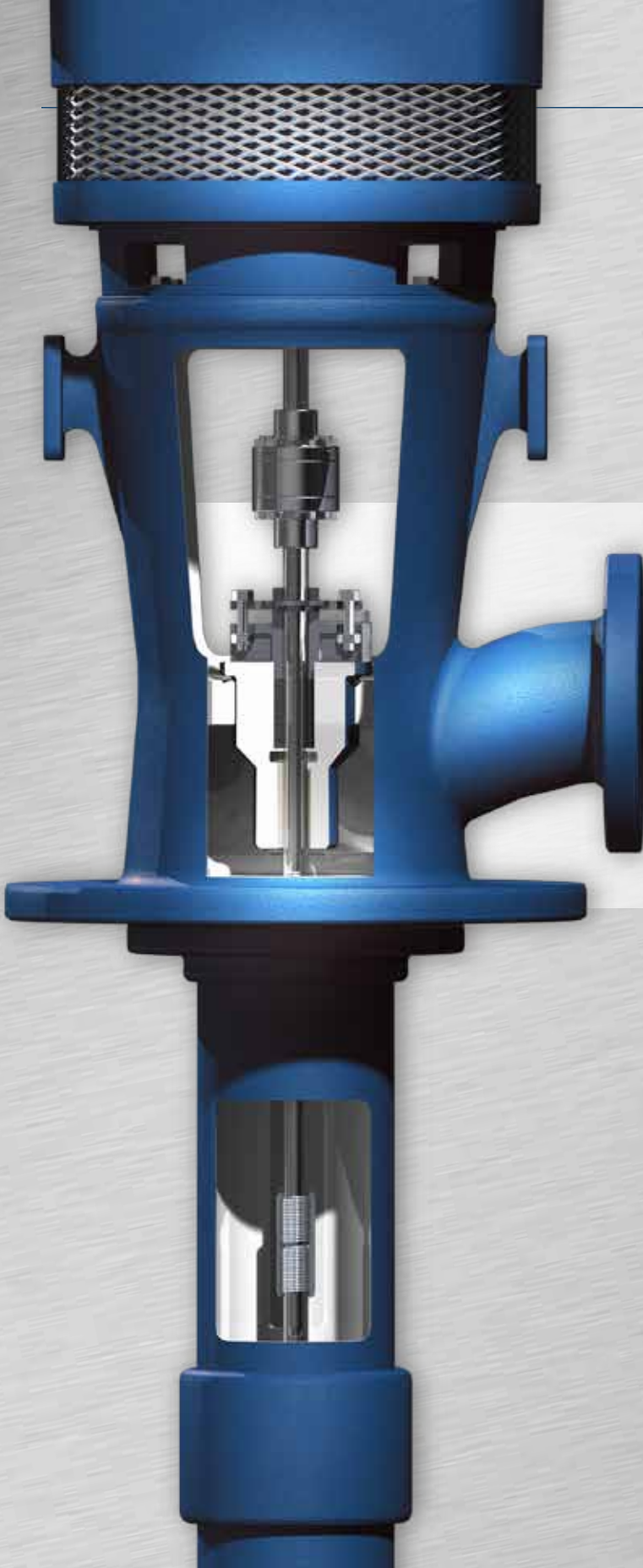




VERTICAL TURBINE PUMPS



THE RIGHT SOLUTION FOR RELIABILITY AND HIGH PERFORMANCE

The right solution for your needs

As the world leader in pumps and pumping systems, Grundfos combines a reliable experience with innovative solutions. Our values include a commitment to superior quality products, strong customer focus, and an in-depth understanding of customer applications. We then can apply the best technology, product and approach to meet end-users', engineers' or an OEM's needs.

From standard, off-the-shelf products to custom engineered projects, Grundfos has the solution to meet your needs. Our robust line of standard products has a proven history in a variety of demanding applications, available when you need them. These products are adaptable to meet specific demands, and our variants offer flexible solutions that are made-to-order.

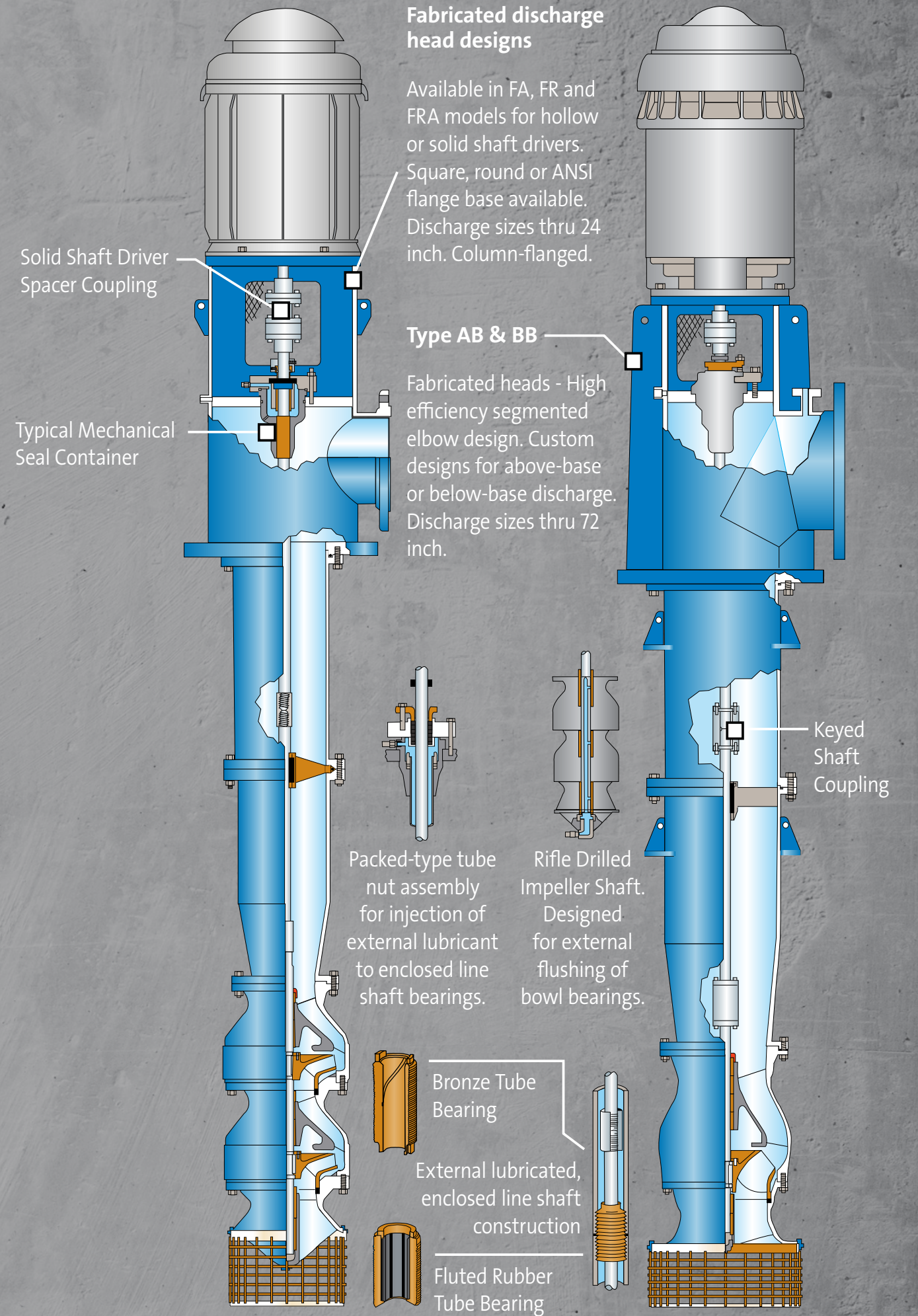
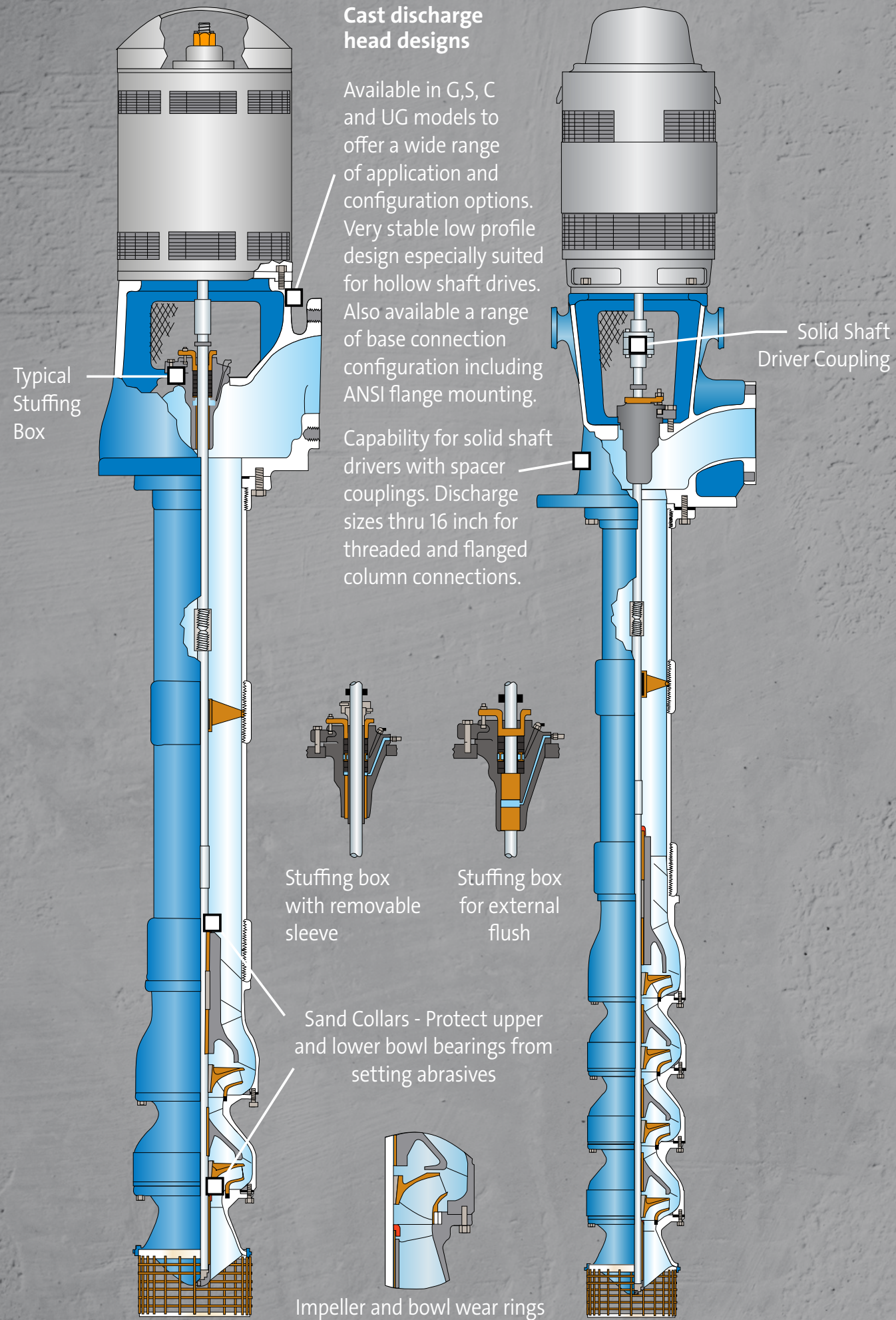
Finally, Grundfos partners with customers to arrive at engineered solutions that meet water and energy challenges. Bringing our expertise, we offer a unique collaborative partnership that extends through the entire product, project, sales and delivery experience.

Our competencies

With the most efficient selections and superior local representation, we endeavor to partner with customers to create the best value possible for each application. From a simple pump replacement to complicated projects we deliver.



The Peerless Pump brand has a long, rich history of providing quality products and outstanding service since 1923.

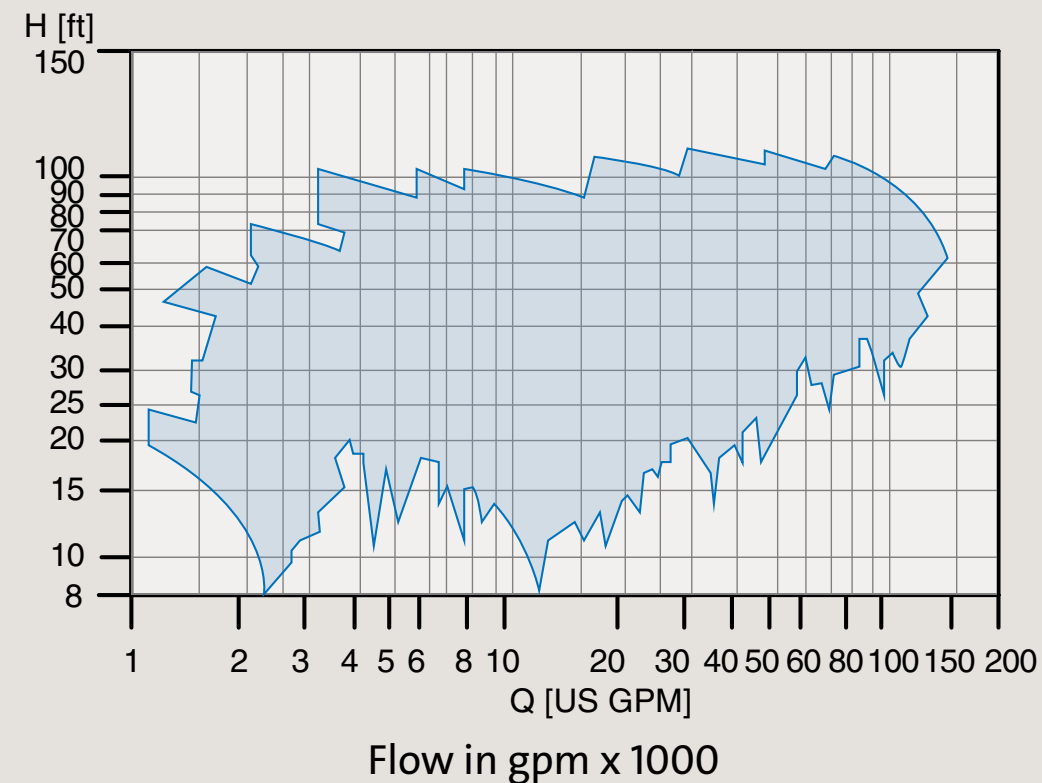


VERTICAL TURBINE OVERVIEW

Vertical turbine pump provides a wide range of hydraulic and mechanical coverage; offered in numerous material and design configuration. These configuration options allow for custom-engineered construction tailored to suit your requirements while ensuring maximum value, high efficiency and long term pump performance.

BENEFITS

- Peerless Pump pioneered and patented the 'double seal' lateral seal feature to provide increased pump efficiency and extended pump life with focus on the critical surfaces between bowls and impellers
- Only manufacturer on the market that utilizes dual bowl bearings to provide extended pump life, utilizing rubber and bronze bearings to protect shaft and impellers against wear in a wide range of operating services
- Potable water NSF 372 certified materials to provide clean water supply to the highest standards



VTP Specifications:

- Capacities:** Up to 150,000 gpm (34,069 m³/hr)
- Head:** Up to 2,500 feet (762 meters)
- Pressure:** To fit the application
- Horsepower:** Up to 5,000 hp (3,429 kW)
- Temperature:** Up to 180 °F (82 °C)
- Drives:** Vertical electric motors, engines with right angle gears, combination gear drives or vertical motors and variable speed drives
- Liquids:** Water and other non-abrasive liquids
- Materials:** Cast iron/bronze-fitted standard; alternate materials available to suit the application

OTHER PEERLESS VERTICAL PUMPS

Tee-Head Canned Pumps

Multi-stage close-coupled vertical line shaft pumps with barrel-enclosed bowl units. Recommended for low NPSH conditions.



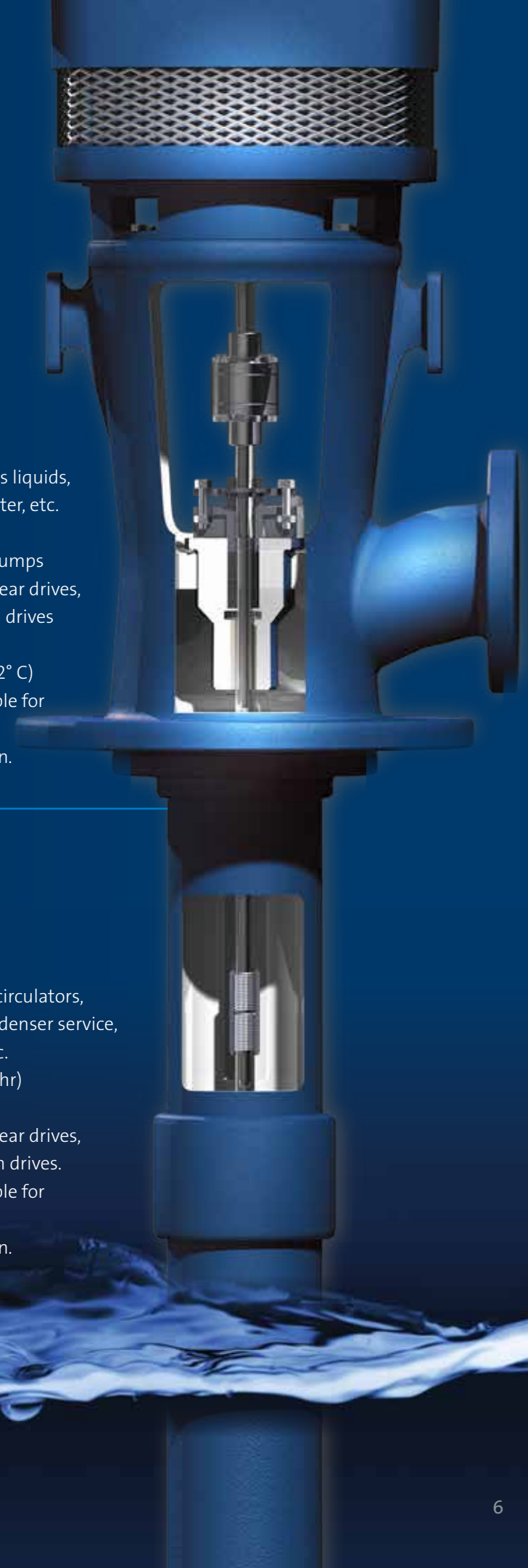
- Typical Applications:** Line boost, transfer of process liquids, hydrocarbons, hot or cold water, etc.
- Capacities:** to 50,000 gpm (11,360 m³/hr)
- Heads:** to 3,000 psi (211 kg/cm²) - 3 pumps
- Drives:** Electric motors, right angle gear drives, steam turbines, combination drives
- Temperature Range:** -60° F (-65° C) to + 450° F (282° C)
- Materials:** Any machinable alloys suitable for the applications.
- Configurations:** As required by the application.

Large Hydrofoil Pumps, with Mixed Flow and Axial Flow Impeller Designs

Vertical short setting line shaft pumps with fabricated discharge elbows for handling large volumes of fresh or salt water.



- Typical Applications:** Source water, cooling tower circulators, treated effluent transfer, condenser service, flood control, dewatering, etc.
- Capacities:** to 200,000 gpm (45,440 m³/hr)
- Heads:** 2 to 100 feet (30.5 m)
- Drives:** Electric motors, right angle gear drives, steam turbines, combination drives.
- Materials:** Any machinable alloys suitable for the application.
- Configurations:** As required by the application.



VERTICAL TURBINE PUMPS

Grundfos offers a complete range of Vertical Turbine pumps with unrivalled reliability and engineered technology to match your every need. The well-known Peerless brand of Grundfos products is based on over 90 years of experience.

For more information, visit:

grundfos.us

L-VT-SL-004 11-14

GRUNDFOS - USA
2005 Dr Martin Luther King Jr. St.
Indianapolis, IN 46202
Toll Free: 800-879-0182
Phone: (317) 925-9661
Fax: (317) 924-7388

www.grundfos.us

GRUNDFOS Canada
2941 Brighton Road
Oakville, Ontario
L6H 6C9
Phone: (905) 829-9533
Fax: (905) 829-9512

www.grundfos.ca

GRUNDFOS Mexico
Boulevard TLC No. 15
Parque Industrial Stiva Aeropuerto
C.P. 66600 Apodaca, N.L. Mexico
Phone: 011-52-81-8144 4000
Fax: 011-52-81-8144 4010

www.grundfos.mx

GRUNDFOS 