



ALPHA1 N ENERGY-EFFICIENT RECIRCULATION OF HOT WATER

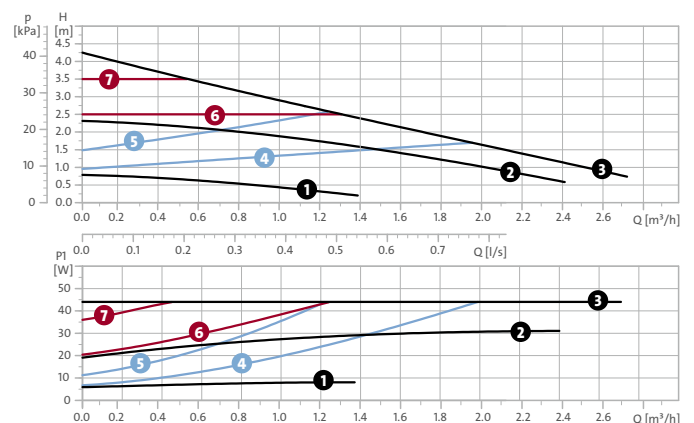
The ALPHA1 N pump has been designed to offer instantly hot water in single and multi-family housings in the most cost-effective way. The hot water recirculation pump with a welded stainless steel housing uses as little as down to 7 W to offer not only a price competitive but also a highly energy-efficient domestic hot water solution. As there is no waiting for the water to get warm, the ALPHA1 N efficiently eliminates the waste of water and energy – and increases comfort for the consumer.

TECHNICAL DATA

ALPHA1 20-45 N 150

Flow Q_{\max} :	2.6 m ³ /h
Head H_{\max} :	4.5 m
Liquid temperature:	+2° C to +110° C
P_{\max} :	10 bar
Power Range:	7-45 W
Motor:	50 Hz, 230 V

PERFORMANCE CURVES



1. Constant speed curve 1 2. Constant speed curve 2 3. Constant speed curve 3
 4. Proportional pressure curve low 5. Proportional pressure curve high
 6. Constant differential pressure curve low 7. Constant differential pressure curve high

ALPHA1 N IN MORE DETAILS

UPGRADE WITH AN ATTRACTIVE RETURN ON INVESTMENT

Replacing an existing UP pump with the ALPHA1 N can be done with a very attractive return on investment. As the table shows very large yearly savings can be obtained by replacing any of the 3 UP pumps with the ALPHA1 N.



- High efficiency – Permanent Magnet Motor Technology**
- Easy electrical connection due to the renowned ALPHA-plug**
- Intuitive operation**
- Energy usage: 7 W-45 W**
- Cost-efficient hot water recirculation solution**
- Compact design**
- One pump, able to replace a range of standard pumps**

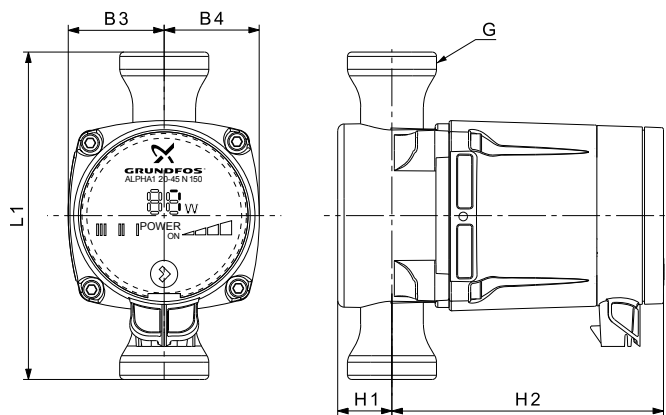
CONVERSION TABLE

UP pump	Speed setting on ALPHA1 N 20-45 150
UP 20-07 N and UP 20-15 N	Constant speed 1
UP 20-30 N	Constant speed 2
UP 20-45 N	Constant speed 3

The ALPHA1 N pump is able to run at three different speeds, allowing it to easily replace any of the pumps in the UP range.

TYPES AND DIMENSIONS

Pump type	Dimensions [mm]						Product number
	L1	B3	B4	H1	H2	G	
ALPHA1 20-45N	150	43	43	27	127	1¼	98094952



SAVINGS

Present pump	Yearly energy consumption	Replacement ALPHA1 20-45 N 150	W	Yearly consumption
UP 20-07 N (47 W)	412 kWh	Constant speed 1	7 W	61 kWh
UP 20-30 N (70 W)	613 kWh	Constant speed 2	30 W	263 kWh
UP 20-45 N (117 W)	1.025 kWh	Constant speed 3	45 W	394 kWh

Yearly savings kWh	By	
	0.08 €/kWh	0.30 €/kWh
351	28 €	109 €
350	28 €	105 €
631	51 €	189 €

Example 1: Bulgaria: 0.08406 €/kWh source www.energy.eu
 Example 2: Denmark 0.30217 €/kWh