

DOMESTIC WATER CATALOGUE - 2020



be
think
innovate

GRUNDFOS 

Our purpose

“Grundfos is a global leader in advanced pump solutions and trendsetter in water technology. We contribute to global sustainability by pioneering technologies that improve quality of life for people and care for the planet.”

KPC Series

SUBMERSIBLE PUMPS FOR YOUR HOME

The Grundfos KPC Series Designed mainly for automatically operated fixed applications in domestic use, draining basements and garages which are subject to flooding. Its compact, easy-to-handle form makes it a portable pump for emergencies such as lifting water from tanks or rivers, emptying swimming pools, fountains, excavations and underpasses. They are also ideal for gardening and fish pond.

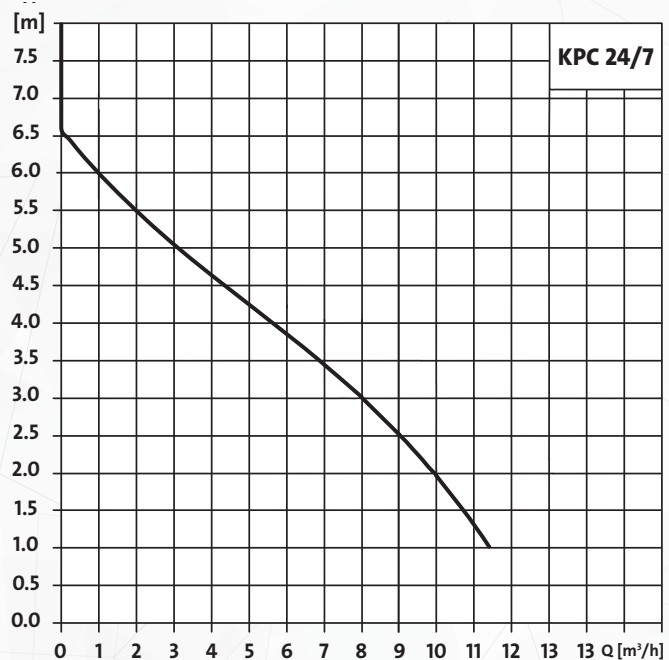
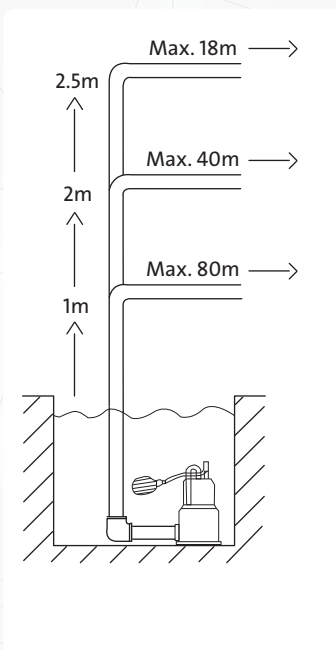


TECHNICAL DATA

- Pump body, impeller, pressure disc and suction grid in Composite Noryl GFN 2
Stainless steel screws and rotor shaft
- **Performance range:**
from 1 to 17m³/h, with head up to 10 metres
- **Liquid quality requirements**
Grey water without fibres
- **Minimum water depth**
KPC 24/7 210 : 8mm
KPC 300A : 85mm
KPC 600A : 175mm

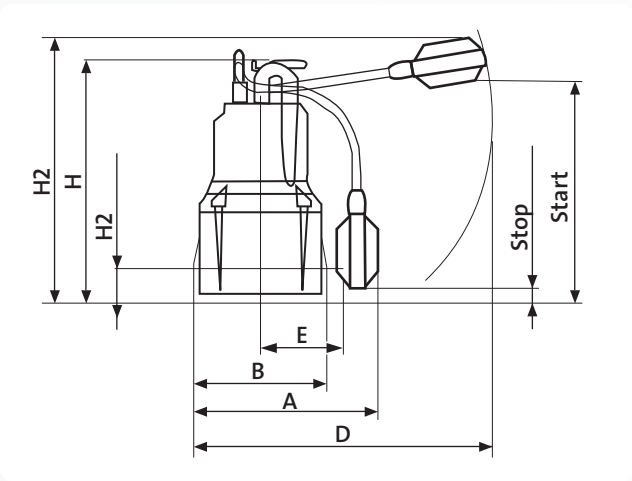
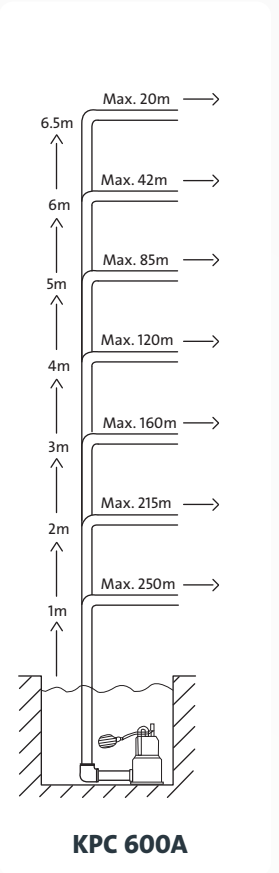
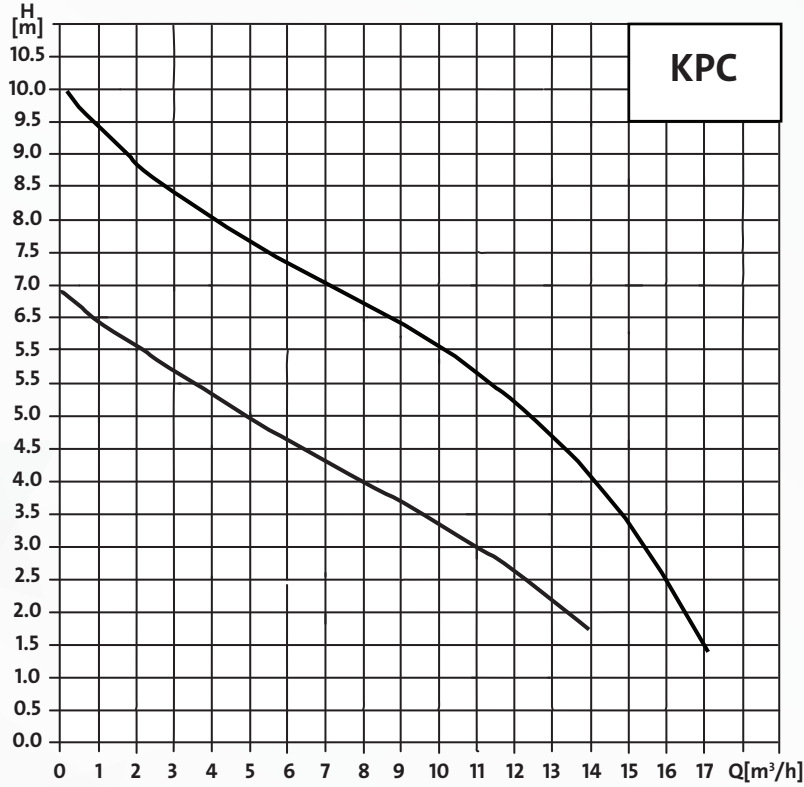
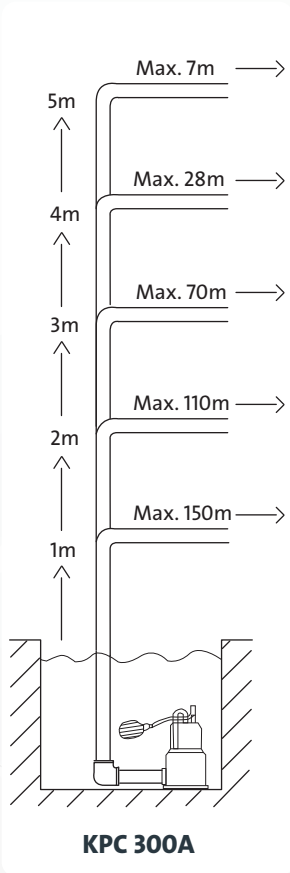
KPC 24/7 210 – Fountain Pump

Performance curves and range :



KPC 300A & KPC 600A – Dewatering Pumps

Performance curves and range



Product Range

PART CODE	MODEL	POWER		CURRENT I (A)	DIMENSION								WEIGHT (kg)	MRP (₹)		
		kw P1	[hp]		A	B	D	E	H	H1	H2	START			STOP	PIPE SIZE
98851057	KPC 24/7 210	0.35	0.47	1.5	-	140	-	82	266	-	38.5	-	-	1"	4.1	12,210
98851053	KPC 300 A 1x220 50Hz	0.35	0.47	1.5	185	140	225	82	275	390	47.5	350	100	1"	4.1	12,580
98851054	KPC 600 A 1x220 50Hz	0.8	1.07	3.4	200	160	225	90	376	490	73	450	200	1 1/4"	6.5	18,060

For all pumps, electrical supply is 1 phase 220 Volts AC, 50 Hz