



**JS** *Jet Slot Diffuser*





## Introduction

Prudent Aire Jet Slot Diffusers are designed to maximise engineering performance without sacrificing aesthetic considerations for the designer. The Wide array of slot width allow for more airflow while minimising noise and pressure loss.

The Jet Slot Diffuser's vanes allow the airstream to be jetted directly to meet required comfort conditions. Jet Slot Diffuser is an excellent choice for high bay applications, perimeter zones requiring vertical projection and for side wall applications requiring extended throw.

## CONSTRUCTIONS & MATERIALS

- Standard slot width 51mm.
- 2 Vanes are adjustable to control airstream.
- Allow to have a large airflow with low noise.
- Standard finish is flat black for interior surfaces exposed to view and matt white for seposed flanges.

Frame Construction

AL

Extruded Aluminium

Deflector Construction

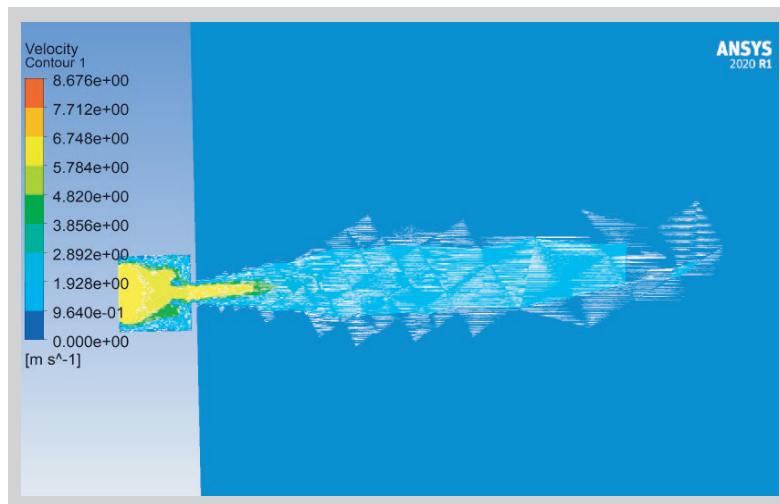
AL

Extruded Aluminium

Surface Finishing

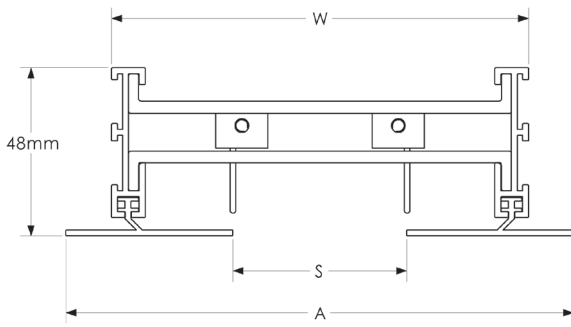
RAL

White (Matt)



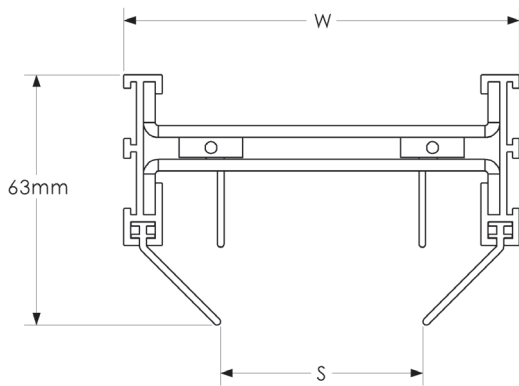
## TECHNICAL PERFORMANCE DATA

### JET SLOT DIFFUSER FLAT TYPE DIMENSION



Model	Slot Width ( S ) in mm	Neck Size ( W ) in mm	Base Size ( A ) in mm
1 slot	25	95	121
	38	108	134
	51	121	147

### JET SLOT DIFFUSER ANGULAR TYPE DIMENSION



Model	Slot Width ( S ) in mm	Neck Size ( W ) in mm
1 slot	25	74
	38	87
	51	100

### JET SLOT DIFFUSER PERFORMANCE DATA

1" Width 1 Slot	Air Flow , cmh/m	110	220	330	440	550	660	780
	Static Pressure(Pa)	1.74	6.71	15.18	27.12	42.3	61	83.11
	NC (Noise Criteria)	<10	<10	16	23	28	33	35
	Throw(m)	0.6-0.9-2.1	1.2-1.8-3.9	1.8-3-5.5	2.7-4.2-6	3.3-4.8-7.2	3.9-5.4-7.8	4.5-6.6-8.7
1.5" Width 1 Slot	Air Flow , cmh/m	160	330	500	660	830	1000	1170
	Static Pressure(Pa)	1.99	7.7	17.4	31.1	48.7	70.17	95.55
	NC (Noise Criteria)	<10	<10	16	21	28	33	37
	Throw(m)	0.6-1.2-2.1	1.5-2.1-4.2	2.1-3.6-6.6	3-4.8-7.8	3.6-5.4-9	4.5-6.6-9.6	4.8-7.5-10.5
2" Width 1 Slot	Air Flow , cmh/m	195	410	640	860	1080	1300	1500
	Static Pressure(Pa)	1.5	4.6	15.4	27.87	44.3	64.2	87.84
	NC (Noise Criteria)	<10	<10	16	22	29	33	37
	Throw(m)	0.6-0.9-2.1	1.2-2.4-4.5	2.4-3.6-6.6	3-5.1-9	4.2-6-10.2	4.8-7.5-11	5.4--8.7-12.3



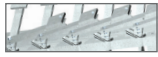

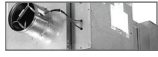


- All pressure are in inches of water
- NC value is based on a room absorption of 10 dB, re 10<sup>-12</sup> watts.
- Throw data based on active section 1.2 meter long.
- Dash (-) in space indicates NC values less than 10.
- Performance data was obtained from test conducted in accordance with ANSI / ASHARE Standard 70-2006, "Method of testing for rating the performance of air outlets".



# JS | Jet Slot Diffuser



## Products Range

- Grilles 
- Diffusers  ◀
- Dampers 
- Fire & Smoke Protection 
- VAV 
- Others 
- Accessories 



**Prudent Aire Sdn Bhd** 514037-D  
 Lot 2102, Jalan KPB12, Off Jalan Suria Park 1, Kg Baru Balakong,  
 43300 Seri Kembangan, Selangor Darul Ehsan, Malaysia  
 Tel : +603-9100 3858 (HL) / 9101 3869 / 9101 5868  
 Fax : +603-9100 4868 Email : sales@prudentaire.com

[www.prudentaire.com](http://www.prudentaire.com)