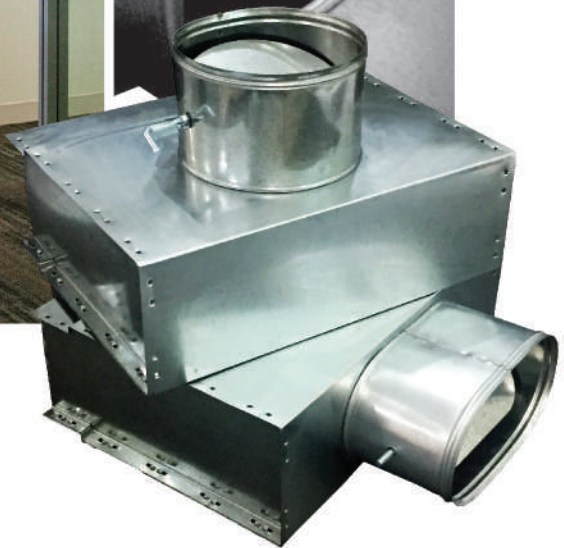




PB *Plenum Box*



012





Introduction

An essential part in any ventilation system, the Plenum Box are often the most preferred choice for connecting terminals to ducting.

With versatile design, the Plenum Box is highly customizable in terms of sizes and profiles.

GENERAL FEATURES

- Highly customizable size and profile
- Insulation choice: 3, 6 & 12 mm thickness
- Top and side enteries configuration available

MATERIALS

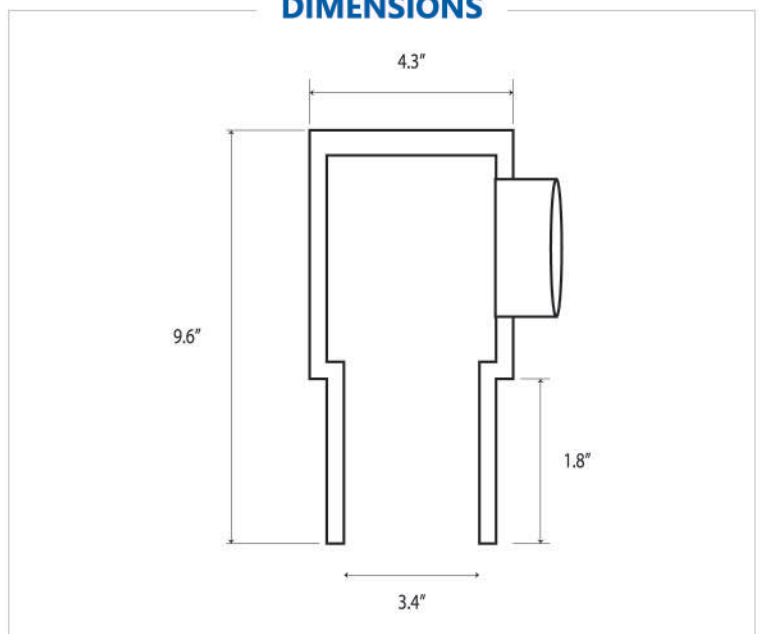
- Box construction : 0.5mm Galvanised Steel
- Insulation : 3, 6 & 12mm PE foam

SURFACE FINISHING

- Standard no-coating



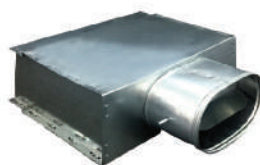
DIMENSIONS



TYPES OF PRODUCTS



Top Opening



Slide Opening



2 Collar