



ALT *Air Light Troffer*





Introduction

The light troffer's design provide superior air distribution at low sound levels when interfaced with compatible with a wide range of air handling light fixtures.

Light Troffer is excellent choice for VAV systems as they provide high induction rate and fixed horizontal airflow pattern. The Light troffer is equipped with fixed deflector to produce the horizontal airflow pattern, eliminating the need for on-site adjustment of the air pattern during balancing.



CONSTRUCTIONS & MATERIALS

- Fixed horizontal deflector
- High induction rate & low noise level
- Internal insulation
- Both supply & return (without deflector) applications
- Single/double plenum configuration

Plenum



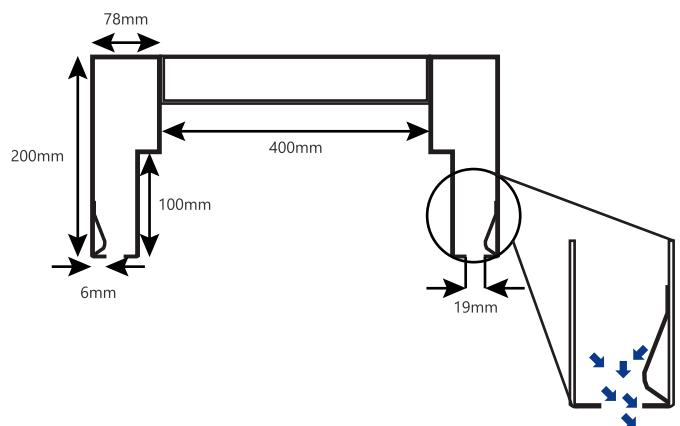
Galvanized Steel

Deflector



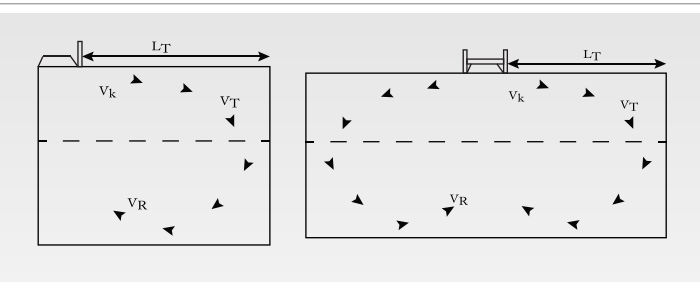
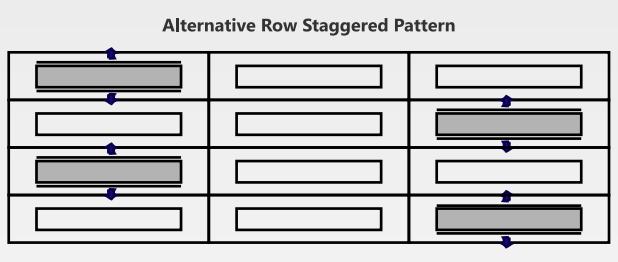
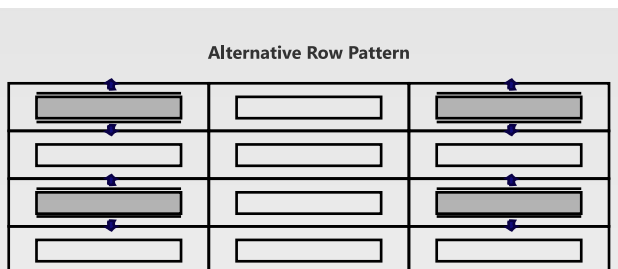
Galvanized Steel

DIMENSIONS



Effective Area, A_x (m²)

Slot Length (m)	Single Plenum	Double Plenum
0.50	0.0032	0.0063
0.75	0.0047	0.0095
1.00	0.0063	0.0126
1.50	0.0095	0.0189
1.20	0.0079	0.0158



Supply - Single Plenum

Slot Length (m)	Inlet Dia (mm)	80.0			100.0			125.0			150.0		
	Inlet Velocity (m/s)	2.0	3.0	4.0	2.0	3.0	4.0	2.0	3.0	4.0	2.0	3.0	4.0
0.5	Volume Flowrate, m ³ /hr	-	54	72	57	85	113	88	-	-	-	-	-
	Face Velocity, m/s	-	4.7	6.3	4.9	7.4	9.8	7.7	-	-	-	-	-
	Throw Distance (0.35 m/s), m	-	1.6	2.1	1.65	2.6	3.3	2.7	-	-	-	-	-
	Total Pressure loss, Pa (1)	-	15.5	23.5	14.4	31.7	57.6	29.0	-	-	-	-	-
	Noise Rating (NR)	-	33	40	33	42	>40	40	-	-	-	-	-
1.0	Volume Flowrate, m ³ /hr	-	54	72	57	85	113	88	133	177	127	191	-
	Face Velocity, m/s	-	2.4	3.2	2.5	3.7	5.0	3.9	5.8	7.8	5.6	8.4	-
	Throw Distance (0.35 m/s), m	-	1.2	1.6	1.3	1.9	2.4	2.0	2.9	3.7	2.7	4.0	-
	Total Pressure loss, Pa (1)	-	9.3	14.3	9.4	20.2	31.7	16.2	37.1	75.4	25	70	-
	Noise Rating (NR)	-	<20	28	<20	31	35	32	40	>40	33	>4.0	-
1.2	Volume Flowrate, m ³ /hr	-	54	72	57	85	113	88	133	177	127	191	254
	Face Velocity, m/s	-	1.9	2.5	2.0	3.0	4.0	3.1	4.7	6.2	4.5	6.7	8.9
	Throw Distance (0.35 m/s), m	-	1.1	1.4	1.15	1.7	2.1	1.75	3.1	3.4	2.7	3.7	4.7
	Total Pressure loss, Pa (1)	-	7.0	11.6	5.7	15.8	24.5	15.1	24.4	63.8	20.0	55	89.5
	Noise Rating (NR)	-	<20	29	22	27	32	25	33	37	31	37	43
1.5	Volume Flowrate, m ³ /hr	-	54	72	57	85	113	88	133	177	127	191	254
	Face Velocity, m/s	-	1.6	2.1	1.7	2.5	3.3	2.6	3.9	5.2	3.7	5.6	7.4
	Throw Distance (0.35 m/s), m	-	<1.0	0.95	1.0	1.5	1.9	1.6	2.4	3.0	2.3	3.3	4.3
	Total Pressure loss, Pa (1)	-	5.4	9.61	5.3	13.0	20.1	10.4	19.7	52.2	16.0	45	67.6
	Noise Rating (NR)	-	<20	<20	<20	22	28	22	29	34	26	34	42

Supply - Double Plenum

Slot Length (m)	Inlet Dia (mm)	125.0			150.0			200.0			250.0		
	Supply Neck Velocity (m/s)	1.5	2.0	2.5	1.5	2.0	2.5	1.5	2.0	2.5	1.5	2.0	2.5
0.5	Volume Flowrate, m ³ /hr	66	88	110	95	127	159	170	226	-	-	-	-
	Face Velocity, m/s	2.9	3.9	4.9	4.2	5.6	7.0	7.5	10.0	-	-	-	-
	Throw Distance (0.35 m/s), m	<1.0	1.3	1.6	1.4	2.0	2.4	2.6	3.3	-	-	-	-
	Total Pressure Loss, Pa (1)	<5	32.5	52.5	32	54	82	50	90	-	-	-	-
	Total Pressure Loss, Pa (2)	<5	13.8	22.5	13	24	32	20	37	-	-	-	-
	Noise Rating (NR)	<25	33	39	33	39	44	45	>45	-	-	-	-
1.0	Volume Flowrate, m ³ /hr	66	88	110	95	127	159	170	226	283	265	353	442
	Face Velocity, m/s	1.5	1.9	2.4	2.1	2.8	3.5	3.7	5.0	6.2	5.8	7.8	9.7
	Throw Distance (0.35 m/s), m	<1.0	<1.0	1.3	1.1	1.4	1.7	1.8	2.5	3.2	2.8	3.8	4.8
	Total Pressure Loss, Pa (1)	<5	20	32.5	19	31	54	30	62	72	32.5	55	77.8
	Total Pressure Loss, Pa (2)	<5	6	11.8	7.0	12	24	17	25	32	13.5	25	36.6
	Noise Rating (NR)	<25	<25	<25	<25	27	44	31	37	42	41	>45	>45
1.2	Volume Flowrate, m ³ /hr	66	88	110	95	127	159	170	226	283	265	353	442
	Face Velocity, m/s	1.2	1.5	1.9	1.7	2.2	2.8	3.0	4.0	5.0	4.7	6.2	7.8
	Throw Distance (0.35 m/s), m	<1.0	<1.0	1.2	<1.0	1.3	1.6	1.7	2.3	2.7	2.6	3.5	4.4
	Total Pressure Loss, Pa (1)	<5	<5	27.5	<5	22	44.0	25.0	51.0	60.0	22.5	45.0	67.8
	Total Pressure Loss, Pa (2)	<5	<5	10.0	<5	9.0	14.0	9.0	19.0	25.0	8.5	20.0	31.6
	Noise Rating (NR)	<25	<25	<25	<25	<25	26	26	33	37	36	41	46
1.5	Volume Flowrate, m ³ /hr	-	-	110	-	127	159	170	226	283	265	353	442
	Face Velocity, m/s	-	-	1.6	-	1.9	2.3	2.5	3.3	4.2	3.9	5.2	6.5
	Throw Distance (0.35 m/s), m	-	-	1.1	-	1.2	1.4	1.6	2.1	2.6	2.3	3.2	4.1
	Total Pressure Loss, Pa (1)	-	-	21.3	-	20.0	34.0	19.0	44.0	50.0	20.0	42	64.3
	Total Pressure Loss, Pa (2)	-	-	7.5	-	7.0	12.2	6.5	16.5	20.0	6.5	17.5	28.6
	Noise Rating (NR)	-	-	<25	-	<25	<25	<25	29	35	32	38	44


xxx (1) Values for Side Inlet
xxx (2) Values for Top Inlet



ALT | Air Light Troffer



Products Range

- Grilles 
- Diffusers 
- Dampers 
- Fire & Smoke Protection 
- VAV 
- Others 
- Accessories 



Prudent Aire Sdn Bhd 514037-D
 Lot 2102, Jalan KPB12, Off Jalan Suria Park 1, Kg Baru Balakong,
 43300 Seri Kembangan, Selangor Darul Ehsan, Malaysia
 Tel : +603-9100 3858 (HL) / 9101 3869 / 9101 5868
 Fax : +603-9100 4868 Email : sales@prudentaire.com

www.prudentaire.com