



RF Rohrventilatoren

- direktgetrieben

RF Tube Fan

- direct driven

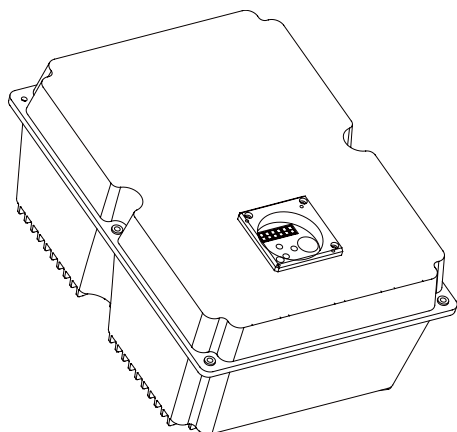
Symbole und Formelzeichen

Symbols and technical formula symbols



Symbol	Bedeutung / Meaning	Symbol	Bedeutung / Meaning	Symbol	Bedeutung / Meaning
	5-Stufen-Steuergerät, transformatorisch 5-step transformer control		Drehzahlumschalter Speed control switch		Schaltplan Wiring diagram
	Steuergerät, stufenlos, transformatorisch Continuously adjustable transformer control		Geräteausschalter Off-Switch		explosionsgeschützt flame proof
	Steuergerät, stufenlos, elektronisch Continuously adjustable electronic control		Gewicht Weight		Abmessungen Dimensions
	Motorschutzschalter Motor protection switch		Schutzart Protection class		Zubehör Accessories

Größe Symbol	Benennung	Designation	Einheit Unit
A	Querschnittsfläche	Cross-section	m ²
c	Strömungsgeschwindigkeit	Flow speed	m/s
C _{400V}	Betriebskondensator	Capacitor	µF
D ₂	Durchmesser des Laufrades	Impeller diameter	m
d	Rohrdurchmesser	Pipe diameter	m
d _g	gleichwertiger Durchmesser	Equivalent diameter	m
Freq	Spannungssteller	Frequency Invertor Speed Controller	-
g	Fallbeschleunigung	Gravitational speed acceleration	m/s ²
I _N	Nennstrom	Rated current	A
I _A / I _N	Verhältnis Anlaufstrom zu Nennstrom	Ratio of starting current to rated current	
Δ I	Stromanstieg bei Teilspannung	Current increase in component voltage area	%
l	Rohr- bzw. Kanallänge	Pipe or channel length	m
L _{PA}	A-bewerteter Schalldruckpegel	Sound pressure level A-weighted	dB(A)
L _{WA}	A-bewerteter Schalleistungspegel	Sound power level A-weighted	dB(A)
L _{WA2}	Schalleistungspegel zur Umgebung	Sound power level to surrounding	dB(A)
L _{WA3}	Ansaugkanalschalleistungspegel	Inlet sound power level induct	dB(A)
L _{WA4}	Ausblaskanalschalleistungspegel	Outlet sound power level induct	dB(A)
L _{WA5}	Freiansaug-Schalleistungspegel	Inlet sound power level unducted	dB(A)
L _{WA6}	Freiausblas-Schalleistungspegel	Outlet sound power level unducted	dB(A)
n	Drehzahl	Speed	1/min (bzw. 1/s)
P ₁	Motoraufnahmeleistung	motor power consumption	kW (bzw. W)
p _{st} (p _{fa})	statischer Druck	Static pressure	Pa
Δ p _{st}	Differenz der statischen Drücke	Differential static pressure	Pa
Δ p _{fa min}	erforderlicher statischer Mindestgegendruck	min. required counter pressure	Pa
p _d	dynamischer Druck	Dynamic pressure	Pa
p _{d2}	dynamischer Druck am Ventilatoraustritt	Dynamic pressure at fan outlet	Pa
Δ p _d	Differenz der statischen Drücke	Differential dynamic pressure	Pa
p _t	Gesamtdruck	Total pressure	Pa
Δ p _t	Differenz der Gesamtdrücke	Difference of total pressures	Pa
T	Kelvin-Temperatur	Temperature in Kelvin	K
t	Celsius-Temperatur	Temperature in Celsius	°C
t _R	max. zulässige Fördertemperatur	max. permissable medium temperature	°C
u ₂	Umfangsgeschwindigkeit des Laufrades (außen)	Circumferential speed of the impeller (outside)	m/s
Ṁ	Volumenstrom	Volume flow	m ³ /h (bzw. m ³ /s)
ρ	Dichte des Fördermediums	Density of medium	kg/m ³
η	Wirkungsgrad	Efficiency	-
φ	Volumenzahl	Volume number	-
ψ	Druckzahl	Pressure number	-
ζ	Widerstandsbeiwert	Coefficient of drag	-
λR	Rohr- bzw. Kanalreibungsbeiwert	Coefficient of friction of channel or pipe	-



Frequency invertors were developed under special consideration of network abilities and international standards, such as CE and UL.

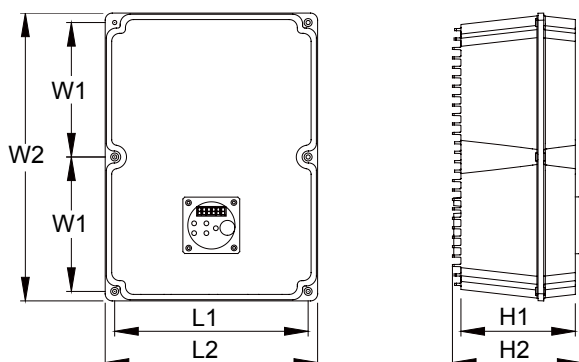
Further advantages: energy efficiency, user-friendly design and the availability of a world-wide service network

What can you expect :

- Conformity to global standards, specifications and certifications
- An open and flexible drive platform
- A broad product range geared to the needs of the market
- Simple operation and configuration
- Optimised control and data management
- Outstanding product reliability

Plus extensive advanced technology functions like:

- SLV- Vector Control and V/f Control (fully programmable)
- Online Autotuning and automatic slip compensation for outstanding speed stability
- Soft PWM function for reduced motor noise
- OEC technology for maximum power savings
- Active current limiting (tripless operation)
- Automatic restart after power failures
- Flexible control units and intuitive configuration and setup



All dimensions in mm

Designation (Output For 3-phase Only)	Application motor (kW)	Rated Output Current[A]	L1	L2	W1	W2	H1	H2	Supply voltage
(F1S) WR75M1	0,75	4,0	205	225	142,5	305	121	136	1/N AC 230V
(F2S) W1R5M1	1,5	7,0	205	225	142,5	305	121	136	1/N AC 230V
(F3S) W2R2M1	2,2	10	205	225	142,5	305	121	136	1/N AC 230V
(F1) WR75M3	0,75	2,5	205	225	142,5	305	121	136	3 AC 400V
(F2) W1R5M3	1,5	3,7	205	225	142,5	305	121	136	3 AC 400V
(F3) W2R2M3	2,2	5	205	225	142,5	305	121	136	3 AC 400V
(F4) W4RG3	4,0	9,5	205	225	142,5	305	121	136	3 AC 400V
(F5) W5R5G3	5,5	14,5	205	225	142,5	305	121	136	3 AC 400V
(F6) W7R5G3	7,5	16	205	225	142,5	305	121	136	3 AC 400V

Frequency Invertor		3-phase 400V Class
Rated Input Voltage		1 ~ 220V, 3 ~ 380, 460, 660V, $\pm 20\%$; 50/60 Hz $\pm 5\%$
Rated Output Voltage		3 ~ 220 ... 660 V (corresponding to input voltage)
Output Frequency Range		0,5 ... 650 Hz
Frequency Accuracy (at 25 °C ± 10 °C)		Analogue setting: $\pm 0,25\%$, digital setting: $\pm 0,01\%$
Frequency Setting Resolution		Analogue setting: Maximum frequency/100, digital setting: 0,1 Hz
V/f Characteristics		V/f control, V/f variable (constant torque, reduced torque)
Overload Capacity		150 % for 60 s
Acceleration / Deceleration time		0,1 - 6553 s
Starting Torque		100 % at 6 Hz
Input	Intelligent Input Terminal	2 kOhm input impedance
	Functions	FW(Forward), RV(Reverse), SPD1-SPD3(Multispeed command), JG(Jogging), DB(External DC braking), 2CH(Second accel./decel.), FRS(Free-run stop), EXT(External trip), USP(Unattended start protection), OH(Overheat error), AT(Analog input selection), RS(Reset), PTC(Thermistor input), PID(PID On/Off), PIDC(PID reset), UP/DWN(Remote-controlled accel./decel.), UDC(Remote controlled data clearing), OPE(Operator control), EMR(Safety stop), NO(Not selected)
Output	Intelligent Ouyput Terminal	Analogue voltage, analogue current
	Functions	RUN(run signal), FA(Frequency arrival- over-frequency), AL(Alarm Signal), SPE(Speed Equal), SPNE(Speed Not Equal), SPO(Speed Over), SPNO(Speed Not Over), SPA(Speed Arrive), SPNA(Speed Not Arrive), DIR(Output Direction), SPZ(Zero Speed), Stalling(Output While Stalling), Power-Limit(Output Power Limit), Acc(Under Acceleration Status), Dec(Under Deceleration Status)
Serial port		RS485
Protection		Overcurrent, overvoltage, undervoltage, overload, overheat, ground fault protection at startup, input overvoltage, EEPROM error, CPU error, USP error, Termistor error, external trip, Safety stop
Environmental Conditions	Temperature / humidity	-10 ... +50 °C (carrier derating required for ambient temperature higher than 40 °C), no freezing / 20 ... 90 % humidity (non condensing)
	Vibration / Installation	0,5G, 10...55 Hz / altitude 1000 m or less, indoors, no corrosive gases or dust
Protection class		IP20

Symbols and technical formu□	II
Frequency Invertor Speed Controller.....□	III
Table of Content.....□	1
Inline tube fans.....□	2
RFE, RFG, RFD.....□	2
Fan type code.....□2
Design features.....□	2
Casing.....□	2
Motor.□2
Impeller.....□	2
Control unit.....□	2
Fan performance curves.....□	2
Installation.....□	2
Wolter.....□	IV

Rohrventilatoren

Inline tube fans

RFE, RFG, RFD



Typenschlüssel

Fan type code

RFE G 150	
	Baugröße size 150
	2-stage
	Motorversion motor version
	E = Einphasenwechselstrom ... single phase AC
	G = Einphasengleichstrom ... single phase DC
	D = Drehstrom three phase AC
	Rohrventilator inline tube fan

Design features

Series RFE (Single phase motor), RFD (Three phase motor) and RFG (DC motor) tube fans are Mixed-Flow fans with integrated guide vane. Both sides of the fan can be fitted into the tube and can be fixed with fastening clamps.

Casing

PP Casing

The housing of sizes 100~150 are made of injection mould black PP. The fan series is designed in a way that smaller diameters can be achieved by fitting reduction flanges to the standard diameter fans.

Aluminum Casing

The casing of sizes 160~250 are made of Aluminum with in moulded Aluminum Guide Vanes and reduction flanges to formed as a Tube.

Galvanized Steel Casing

The casing of sizes 315~500 are made of Galvanized Steel with extruded Aluminum Guide Vanes and Standard Flanges formed as a Tube.

The fans have protection class IP 54 T-Box.

Motor

Motor of sizes 100~150 are fitted with 3-step single –phase.

Model 160~250 include M&L series with rotor motor. 160L, 200M are fitted with 2 speeds. 200L, 250M are fitted with 1 Speed at 4 pole. 2 pole motor of induction type can be of single or three phase Motor of sizes 315~500 are fitted with Single or three-phase induction motor.

Impeller

This mixed flow impeller are specially developed to achieve the requirement for high efficiency and low noise. All impellers are dynamically balanced. Model 100~150 are manufactured from impact resistant PP, PA+FG with model of 160~250, Injection Aluminum with model of 315~500.

Control unit

RFE - For simple set-ups a step switch is sufficient. A more sensitive control can be achieved by standard controllers for single phase AC.

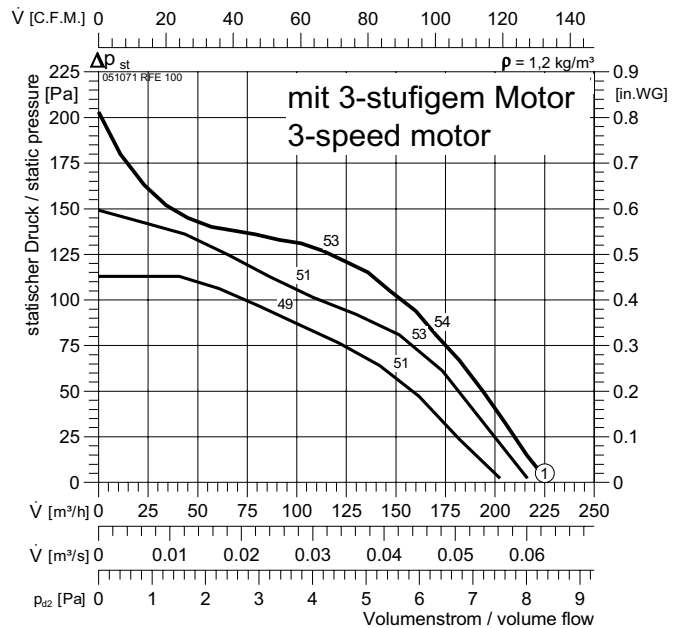
Fan performance curves

The performance curves in this catalogue have been established using the inlet test method in a test chamber according to DIN 24 163, mounting position B. The curves indicate the static pressure increase Δp_{st} as a function of the volume flow.

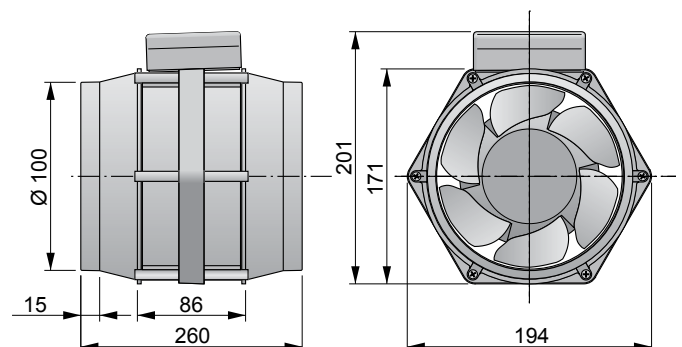
Installation

The RFE type inline tube fans are directly mounted into the tube and fixed by clamps. Due to it's very low height the RFE type is ideal for use in false-ceilings.

RFE 100



Typ :	RFE 100		IP54	Δ dB	L_{WA2}	L_{WA5}	L_{WA6}
ArtNr :	051071		E18	$L_{WA\ tot}$	-13	2	0
m:	1,9		GS 1	125 Hz	-21	-15	-15
U :	230 V 50 Hz		FWG-4	250 Hz	-19	-7	-7
P₁ :	0,035		NE 0,5	500 Hz	-19	-3	-7
I_N :	0,15		RPE 02	1 kHz	-20	-4	-5
n :	2800	Freq	-	2 kHz	-23	-4	-7
C_{400V} :	1			4 kHz	-27	-12	-13
t_R :	40			8 kHz	-36	-20	-22

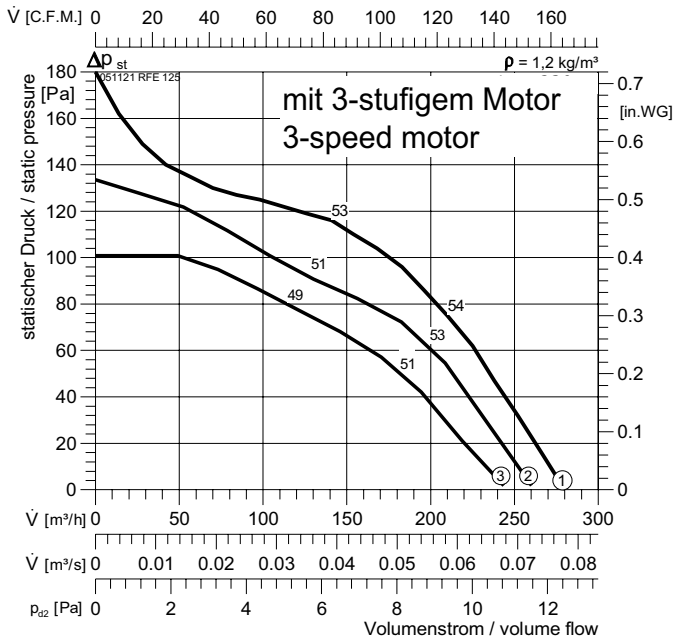




RFE

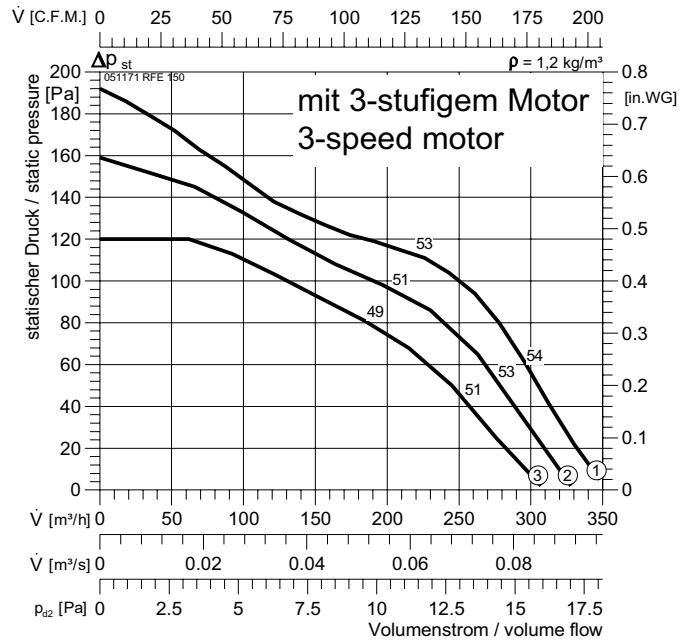


RFE 125

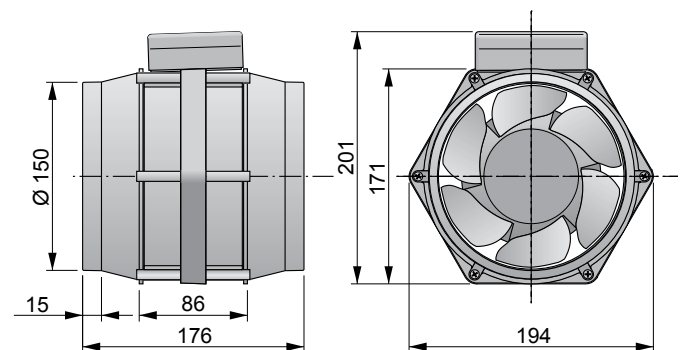
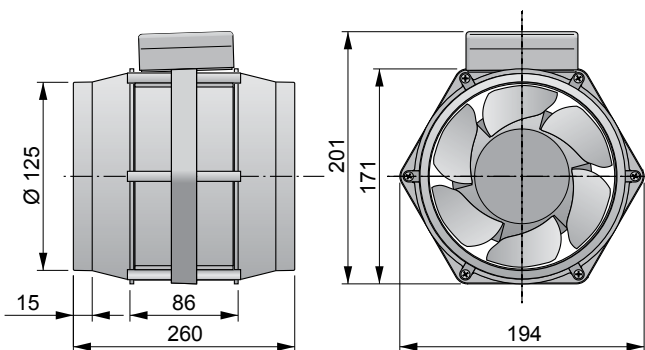


Typ :	RFE 125		IP54	Δ dB	L_{WA2}	L_{WA5}	L_{WA6}
ArtNr :	051121		E19	$L_{WA \text{ tot}}$	-13	2	0
	1,9 kg		GS 1	125 Hz	-21	-15	-15
U :	230 V 50 Hz		FWG-4	250 Hz	-19	-7	-7
P_1 :	0,035 kW		NE 0,5	500 Hz	-19	-3	-7
I_N :	0,15 A		RPE 02	1 kHz	-20	-4	-5
n :	2800 min ⁻¹	Freq	-	2 kHz	-23	-4	-7
C_{400V} :	1 μ F			4 kHz	-27	-12	-13
t_R :	40 °C			8 kHz	-36	-20	-22

RFE 150



Typ :	RFE 150		IP54	Δ dB	L_{WA2}	L_{WA5}	L_{WA6}
ArtNr :	051171		E19	$L_{WA \text{ tot}}$	-13	2	0
	1,9 kg		GS 1	125 Hz	-21	-15	-15
U :	230 V 50 Hz		FWG-4	250 Hz	-19	-7	-7
P_1 :	0,035 kW		NE 0,5	500 Hz	-19	-3	-7
I_N :	0,15 A		RPE 02	1 kHz	-20	-4	-5
n :	2800 min ⁻¹	Freq	-	2 kHz	-23	-4	-7
C_{400V} :	1 μ F			4 kHz	-27	-12	-13
t_R :	40 °C			8 kHz	-36	-20	-22

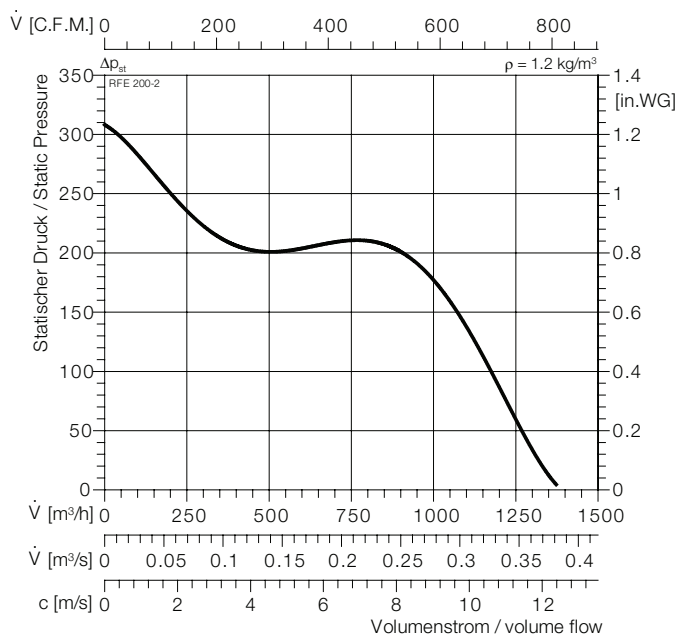




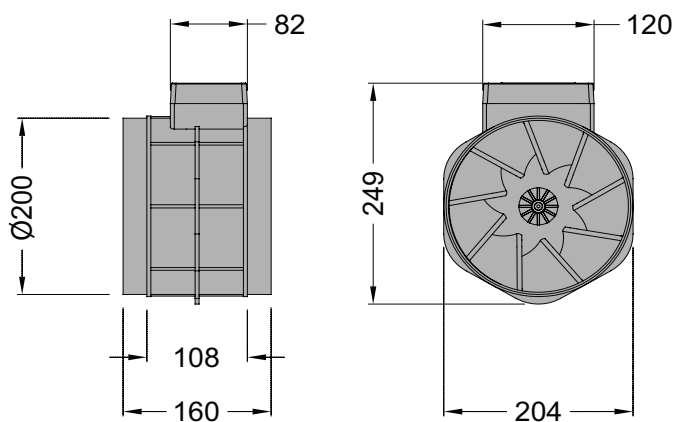
RFE, RFD



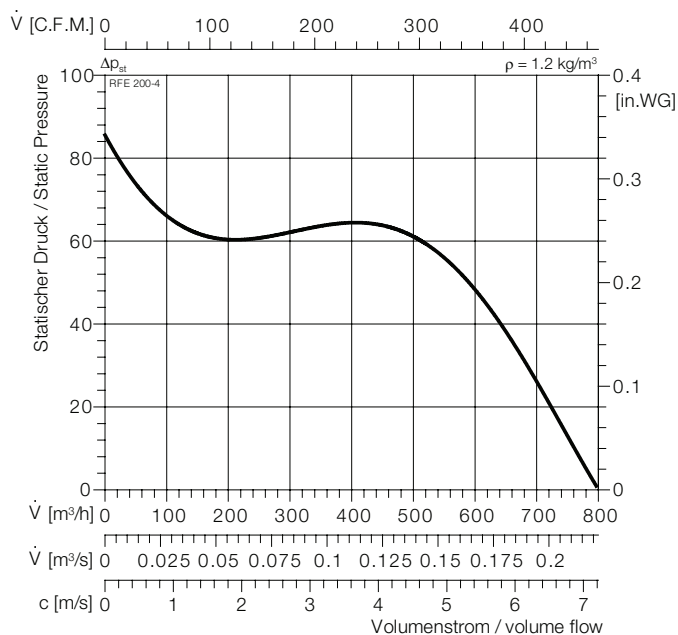
RFE 200M-2



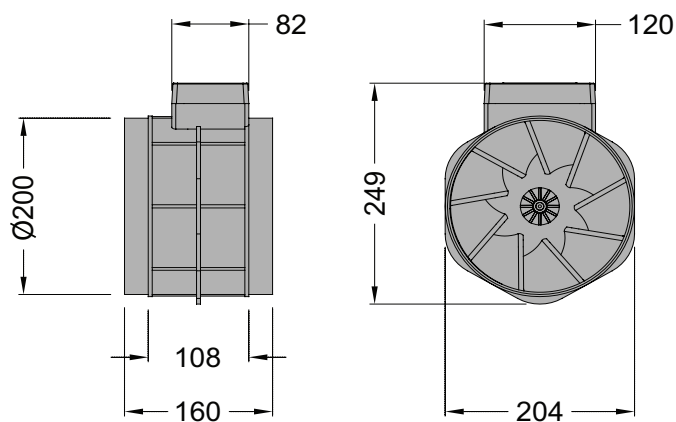
Typ :	RFE 200M-2		IP54	Δ dB	L_{WA}	L_{PA4}
ArtNr :	051222		E13	$L_{WA\ tot}$	80	60
W :	3,8 kg		GS 2	125 Hz	50	30
U :	230 V 50 Hz		-	250 Hz	61	41
P₁ :	0,3 kW		NE 1,5	500 Hz	73	53
I_N :	1,38 A		RPE 06	1 kHz	75	55
n :	2800 min ⁻¹	Freq	-	2 kHz	75	55
C_{400V} :	8 μ F			4 kHz	71	51
t_R :	40 °C			8 kHz	62	42



RFE 200M-4



Typ :	RFE 200M-4		IP54	Δ dB	L_{WA}	L_{PA4}
ArtNr :	051223		E13	$L_{WA\ tot}$	64	44
W :	3,8 kg		GS 2	125 Hz	38	18
U :	230 V 50 Hz		-	250 Hz	52	32
P₁ :	0,085 kW		NE 0,5	500 Hz	58	38
I_N :	0,4 A		RPE 02	1 kHz	60	40
n :	1430 min ⁻¹	Freq	-	2 kHz	58	38
C_{400V} :	3 μ F			4 kHz	52	32
t_R :	40 °C			8 kHz	41	21

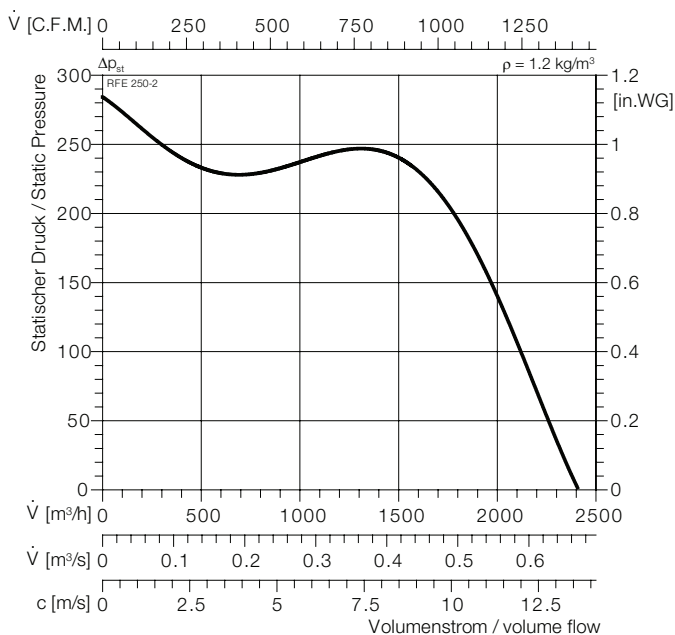




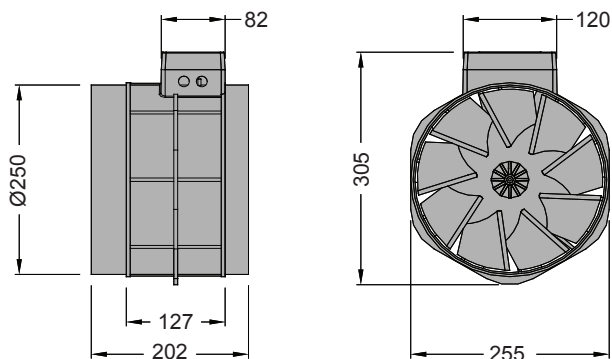
RFE, RFD



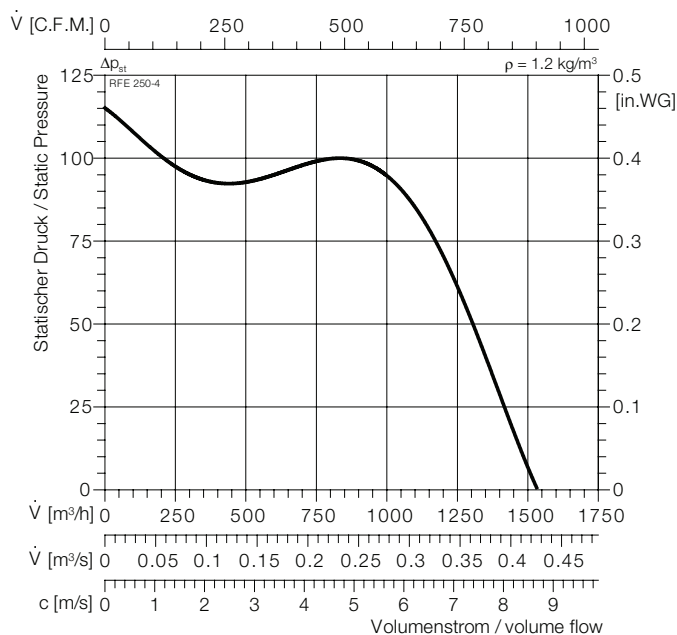
RFE 250M-2



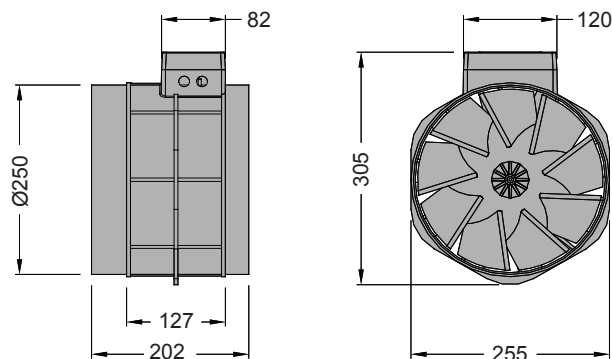
Typ :	RFE 250M-2	△	IP54	ΔdB	L _{WA}	L _{PA4}
ArtNr :	051225	★	E13	L _{WA tot}	84	64
■ :	5,1 kg	□	GS 2	125 Hz	55	35
U :	230 V 50 Hz	□	-	250 Hz	65	45
P ₁ :	0,34 kW	▒	NE 3,2	500 Hz	77	57
I _N :	1,65 A	▽	RPE 09	1 kHz	79	59
n :	2200 min ⁻¹	Freq	-	2 kHz	80	60
C _{400V} :	12 μF			4 kHz	75	55
t _R :	40 °C			8 kHz	67	47



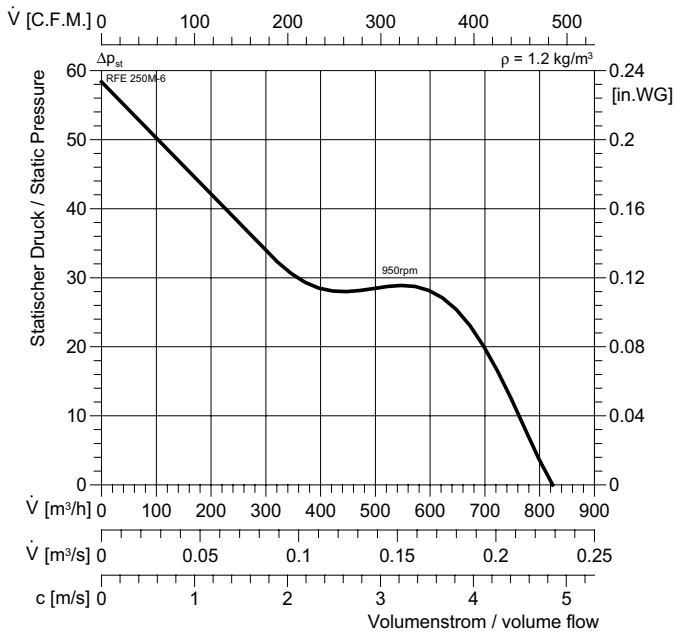
RFE 250M-4



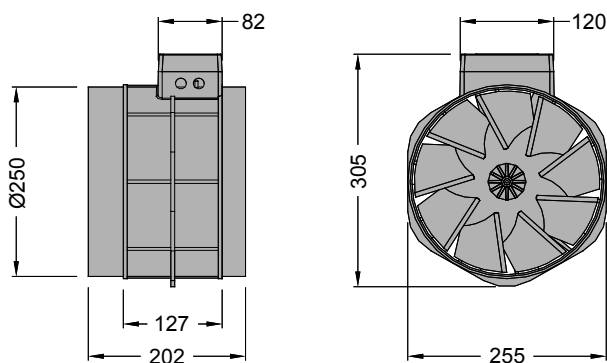
Typ :	RFE 250M-4	△	IP54	ΔdB	L _{WA}	L _{PA4}
ArtNr :	051226	★	E13	L _{WA tot}	69	49
■ :	5,1 kg	□	GS 2	125 Hz	44	24
U :	230 V 50 Hz	□	-	250 Hz	58	38
P ₁ :	0,13 kW	▒	NE 1,5	500 Hz	63	43
I _N :	0,62 A	▽	RPE 02	1 kHz	65	45
n :	1450 min ⁻¹	Freq	-	2 kHz	63	43
C _{400V} :	4 μF			4 kHz	56	36
t _R :	40 °C			8 kHz	46	26



RFE 250M-6



Typ :	RFE 250M-6		IP54	Δ dB	L_{WA}	L_{PA4}
ArtNr :	051226		E13	$L_{WA \text{ tot}}$	59	39
	5,3 kg		GS 2	125 Hz	34	14
U :	230 V 50 Hz			250 Hz	48	28
P_1 :	0,075 kW		NE 0,5	500 Hz	53	33
I_N :	0,28 A		RPE 06	1 kHz	55	35
n :	950 min ⁻¹	Freq	-	2 kHz	53	33
C_{400V} :	μ F			4 kHz	46	26
t_R :	40 °C			8 kHz	36	16

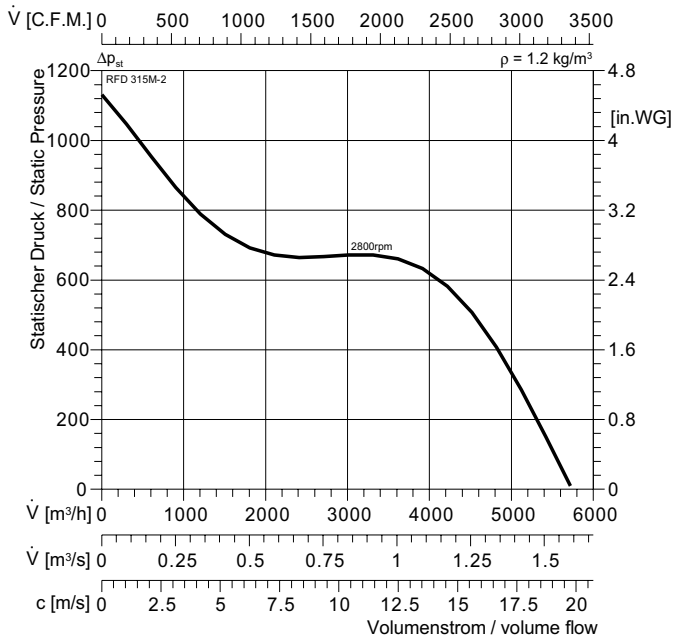




RFE, RFG, RFD



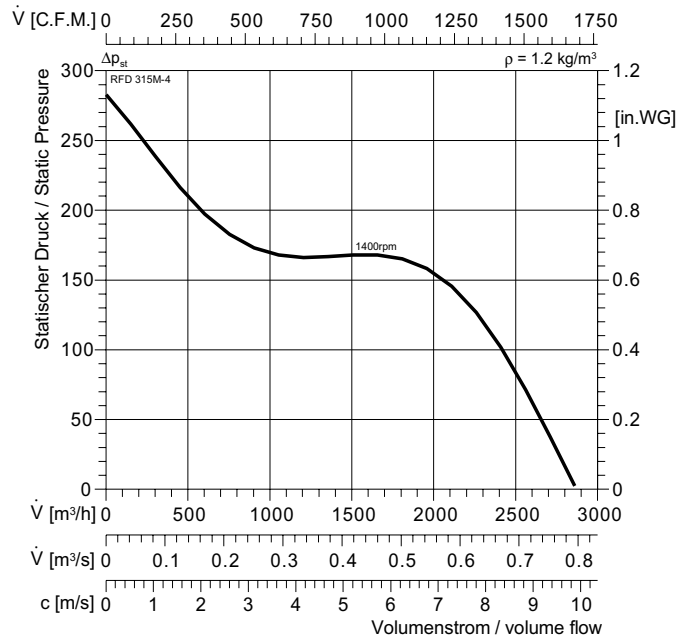
RFD 315M-2



Remark: RFE with single phase motor as optional and on request only

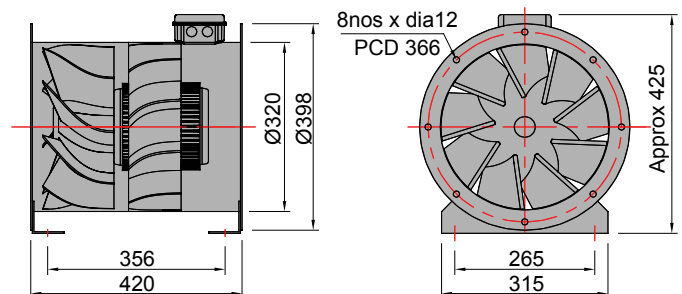
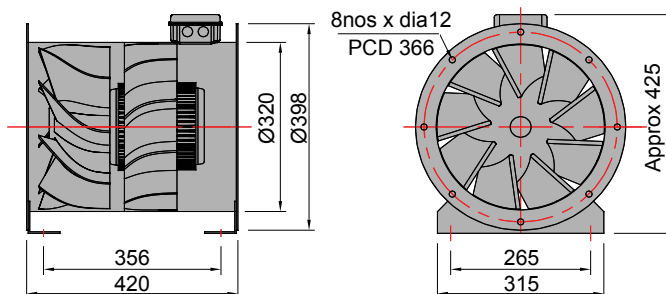
Typ :	RFD 315M-2	IP54	Δ dB	L_{WA}	L_{PA4}
ArtNr :	051227	DD0b	$L_{WA \text{ tot}}$	91	71
\square :	43 kg	GS 2	125 Hz	62	42
U :	400 V 50 Hz		250 Hz	73	53
P_1 :	2,2 kW	RTD 5	500 Hz	84	64
I_N :	4,61 A	SAD 9	1 kHz	86	66
n :	2800 min ⁻¹	Freq F3/F3S	2 kHz	87	67
C_{400V} :	NA μ F		4 kHz	82	62
t_R :	40 °C		8 kHz	74	54

RFD 315M-4

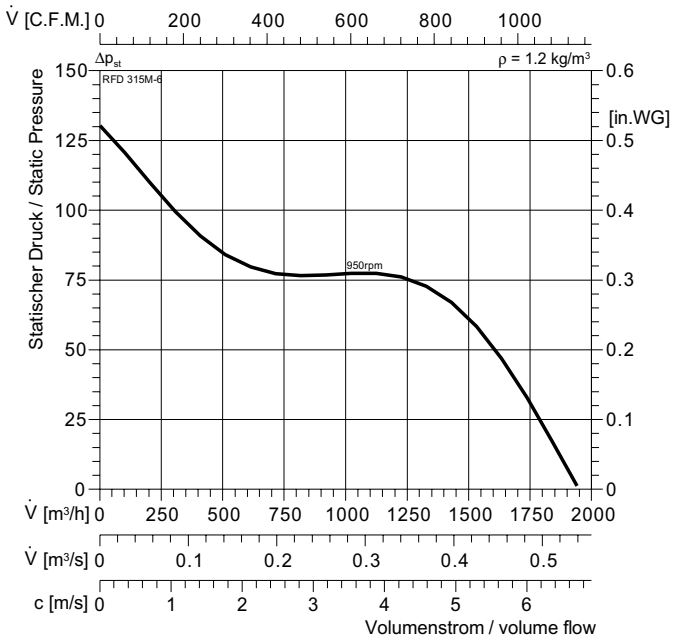


Remark: RFE with single phase motor as optional and on request only

Typ :	RFD 315M-4	IP54	Δ dB	L_{WA}	L_{PA4}
ArtNr :	051229	DD0b	$L_{WA \text{ tot}}$	76	56
\square :	32 kg	GS 2	125 Hz	52	32
U :	400 V 50 Hz		250 Hz	65	45
P_1 :	0,37 kW	RTD 1,2	500 Hz	70	50
I_N :	1,06 A	SAD 9	1 kHz	72	52
n :	1400 min ⁻¹	Freq F1/F1S	2 kHz	70	50
C_{400V} :	NA μ F		4 kHz	63	43
t_R :	50 °C		8 kHz	53	33

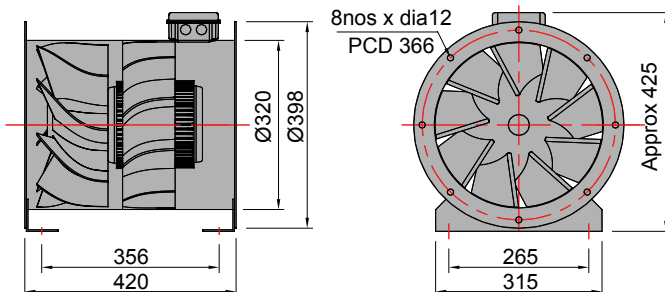


RFD 315M-6



Remark: RFE with single phase motor as optional and on request only

Typ :	RFD 315M-6		IP54	Δ dB	L_{WA}	L_{PA4}
ArtNr :	051230		DD0b	$L_{WA \text{ tot}}$	66	46
	29 kg		GS	125 Hz	42	22
U :	400 V 50 Hz			250 Hz	55	35
P_1 :	0,125 kW		RTD 1,2	500 Hz	60	40
I_N :	0,57 A		SAD 9	1 kHz	62	42
n :	950 min ⁻¹	Freq	F1/F1S	2 kHz	60	40
C_{400V} :	NA μ F			4 kHz	53	33
t_R :	40 °C			8 kHz	43	23

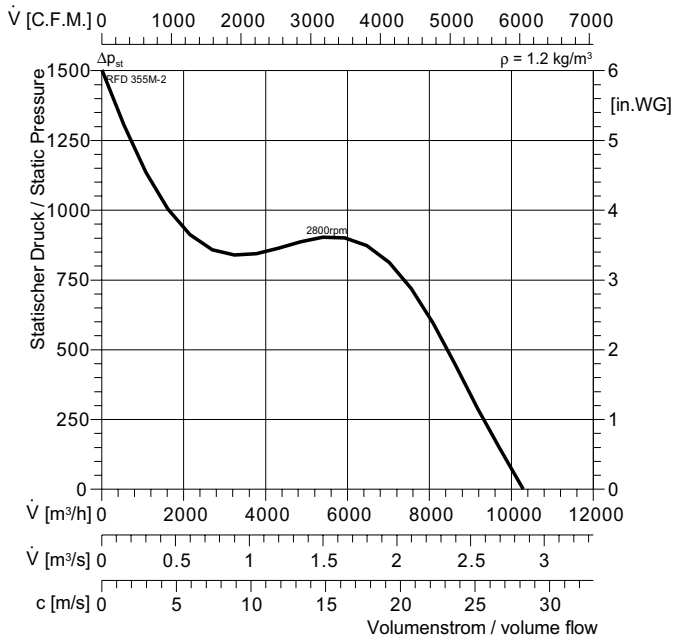




RFE, RFG, RFD

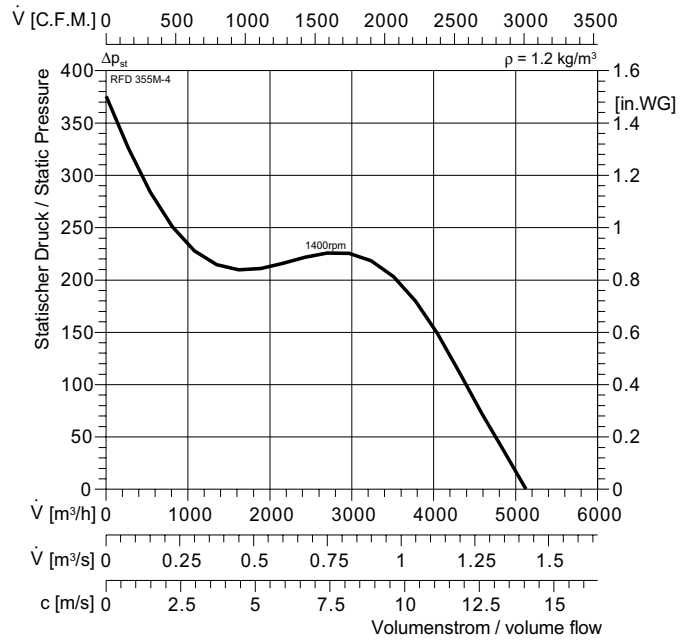


RFD 355M-2



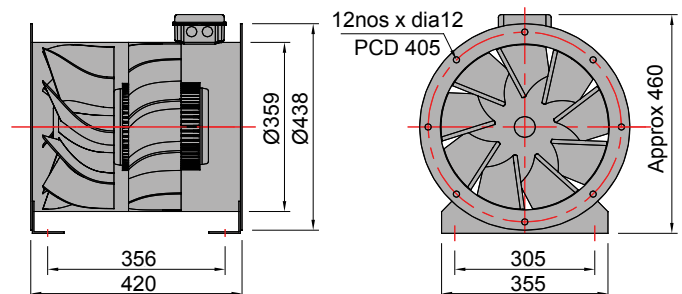
Typ :	RFD 355M-2	IP54	Δ dB	L_{WA}	L_{PA4}
ArtNr :	051231	DD0b	$L_{WA \text{ tot}}$	95	75
\square :	60 kg	GS 2	125 Hz	65	45
U :	400 V 50 Hz		250 Hz	76	56
P_1 :	4 kW	RTD 10	500 Hz	88	68
I_N :	7,72 A	SAD 9	1 kHz	90	70
n :	2800 min ⁻¹	Freq F4	2 kHz	90	70
C_{400V} :	NA μ F		4 kHz	86	66
t_R :	40 °C		8 kHz	77	57

RFD 355M-4

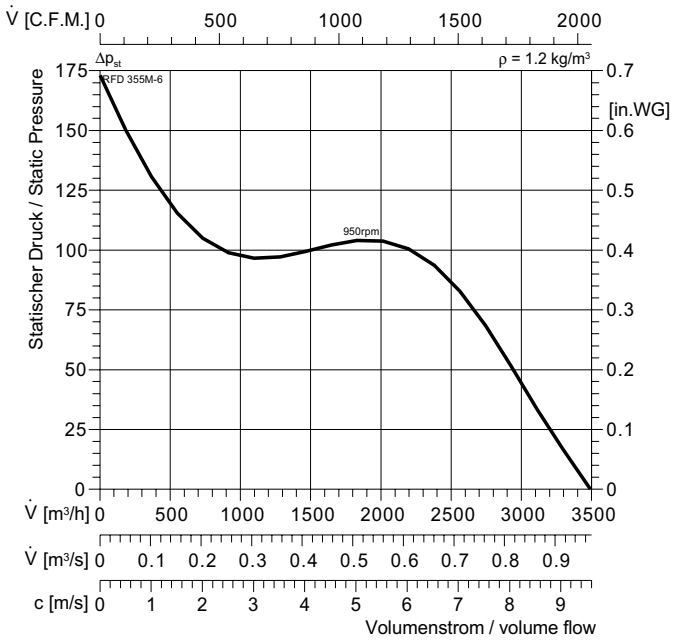


Remark: RFE with single phase motor as optional and on request only

Typ :	RFD 355M-4	IP54	Δ dB	L_{WA}	L_{PA4}
ArtNr :	051233	DD0b	$L_{WA \text{ tot}}$	80	60
\square :	35 kg	GS 2	125 Hz	55	35
U :	400 V 50 Hz		250 Hz	69	49
P_1 :	0,55 kW	RTD 2,5	500 Hz	73	53
I_N :	1,49 A	SAD 9	1 kHz	76	56
n :	1400 min ⁻¹	Freq F1/F1S	2 kHz	73	53
C_{400V} :	NA μ F		4 kHz	66	46
t_R :	40 °C		8 kHz	56	36

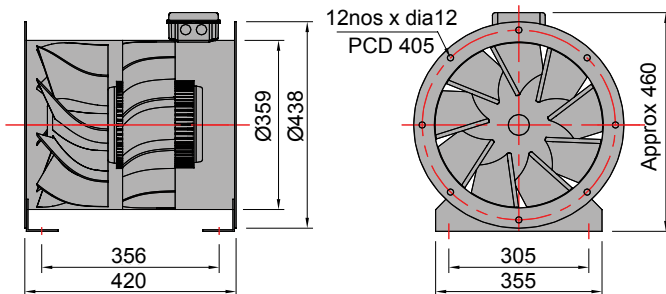


RFD 355M-6

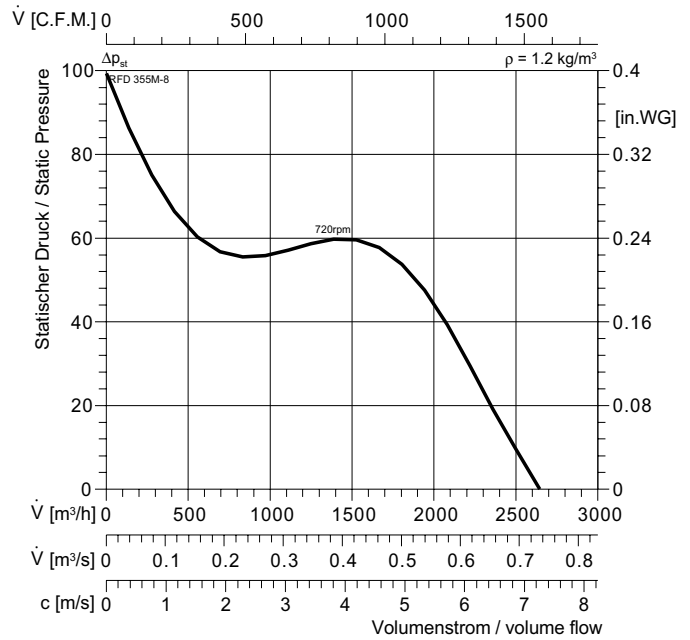


Remark: RFE with single phase motor as optional and on request only

Typ :	RFD 355M-6		IP54	Δ dB	L_{WA}	L_{PA4}
ArtNr :	051235		DD0b	$L_{WA \text{ tot}}$	70	50
	33 kg		GS 2	125 Hz	45	25
U :	400 V 50 Hz			250 Hz	59	39
P_1 :	0,18 kW		RTD 1,2	500 Hz	63	43
I_N :	0,7 A		SAD 9	1 kHz	66	46
n :	950 min ⁻¹	Freq	F1/F1S	2 kHz	63	43
C_{400V} :	NA μ F			4 kHz	56	36
t_R :	40 °C			8 kHz	46	26

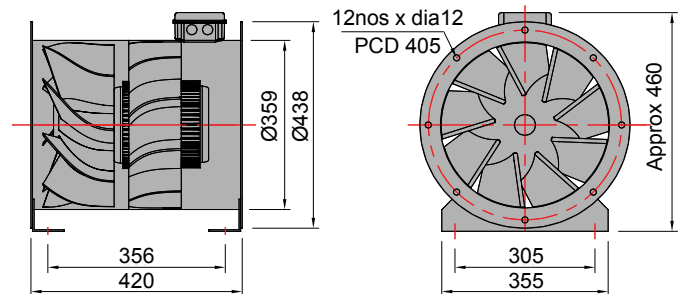


RFD 355M-8



Remark: RFE with single phase motor as optional and on request only

Typ :	RFD 355M-8		IP54	Δ dB	L_{WA}	L_{PA4}
ArtNr :	051237		DD0b	$L_{WA \text{ tot}}$	63	43
	26,5 kg		GS 2	125 Hz	47	27
U :	400 V 50 Hz			250 Hz	54	34
P_1 :	0,075 kW		RTD 1,2	500 Hz	59	39
I_N :	0,28 A		SAD 9	1 kHz	58	38
n :	720 min ⁻¹	Freq	F1/F1S	2 kHz	52	32
C_{400V} :	NA μ F			4 kHz	44	24
t_R :	40 °C			8 kHz	37	17

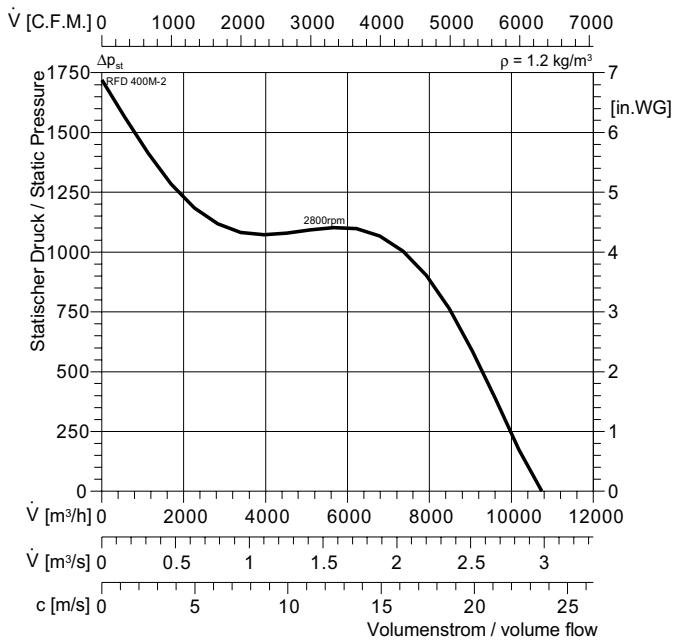




RFE, RFG, RFD

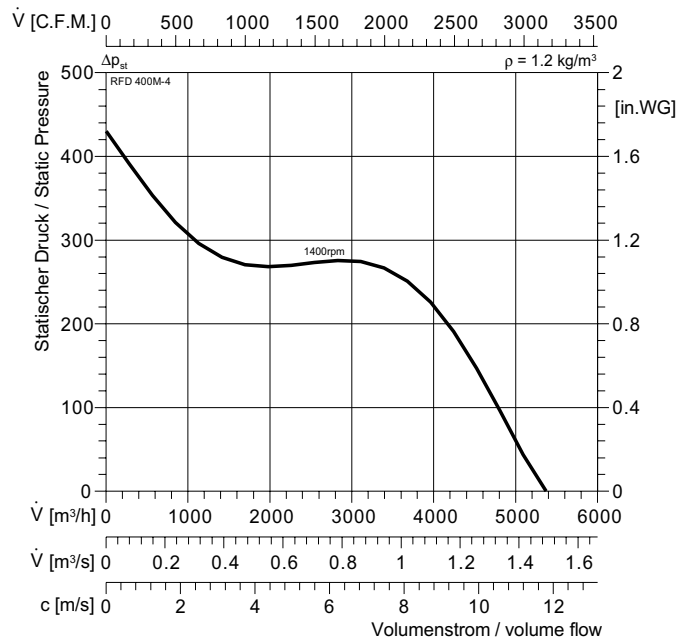


RFD 400M-2



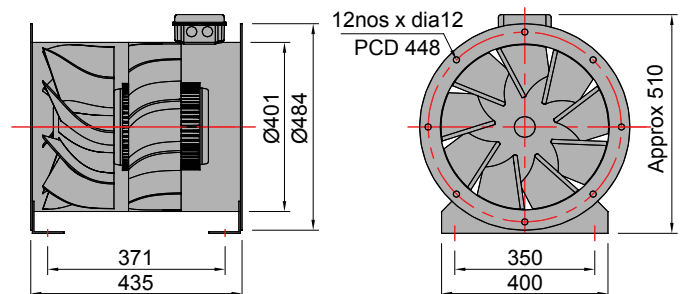
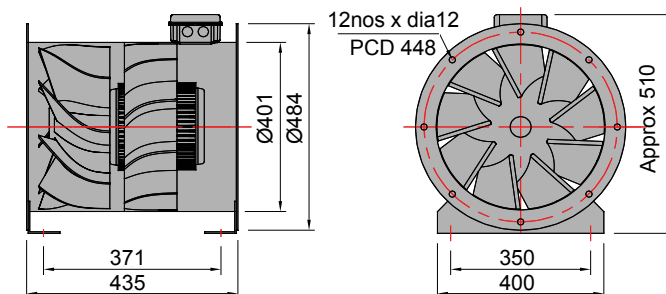
Typ :	RFD 400M-2	IP54	Δ dB	L_{WA}	L_{PA4}
ArtNr :	051239	DD0b	$L_{WA \text{ tot}}$	98	78
\square :	88 kg	GS 2	125 Hz	69	49
U :	400 V 50 Hz		250 Hz	80	60
P_1 :	7,5 kW	RTD 14	500 Hz	91	71
I_N :	14,1 A	SAD 16	1 kHz	94	74
n :	2800 min^{-1}	Freq F6	2 kHz	94	74
C_{400V} :	NA μF		4 kHz	90	70
t_R :	40 $^{\circ}\text{C}$		8 kHz	71	61

RFD 400M-4

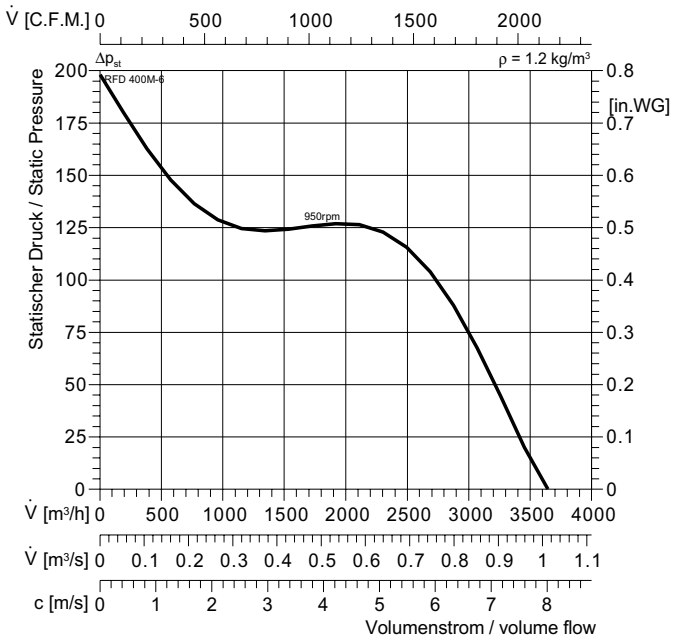


Remark: RFE with single phase motor as optional and on request only

Typ :	RFD 400M-4	IP54	Δ dB	L_{WA}	L_{PA4}
ArtNr :	051241	DD0b	$L_{WA \text{ tot}}$	83	63
\square :	42 kg	GS 2	125 Hz	59	39
U :	400 V 50 Hz		250 Hz	72	52
P_1 :	0,75 kW	RTD 2,5	500 Hz	77	57
I_N :	1,95 A	SAD 9	1 kHz	79	59
n :	1400 min^{-1}	Freq F1/F1S	2 kHz	77	57
C_{400V} :	NA μF		4 kHz	70	50
t_R :	40 $^{\circ}\text{C}$		8 kHz	60	40

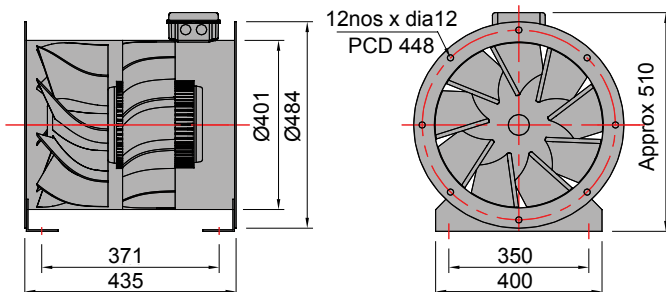


RFD 400M-6

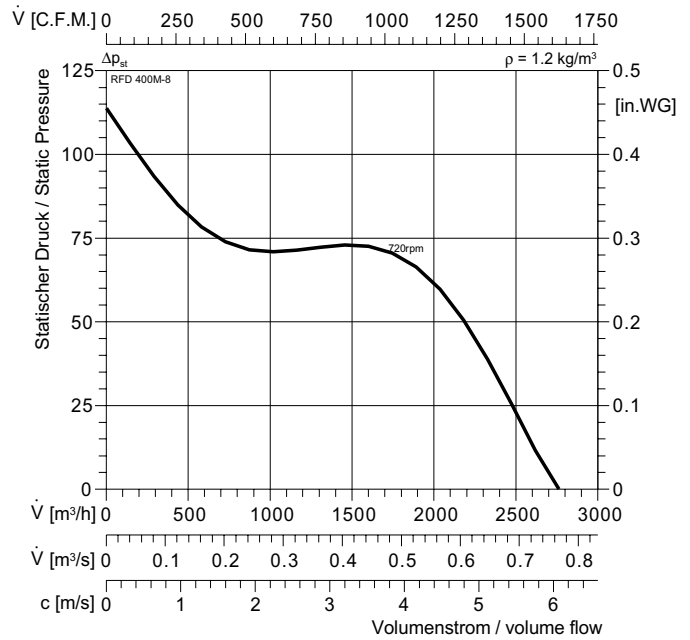


Remark: RFE with single phase motor as optional and on request only

Typ :	RFD 400M-6		IP54	Δ dB	L_{WA}	L_{PA4}
ArtNr :	051243		DD0b	$L_{WA \text{ tot}}$	72	52
	40 kg		GS 2	125 Hz	56	36
U :	400 V 50 Hz			250 Hz	62	42
P_1 :	0,25 kW		RTD 1,2	500 Hz	68	48
I_N :	0,9 A		SAD 9	1 kHz	68	48
n :	950 min ⁻¹	Freq	F1/F1S	2 kHz	64	44
C_{400V} :	NA μ F			4 kHz	56	36
t_R :	40 °C			8 kHz	47	27

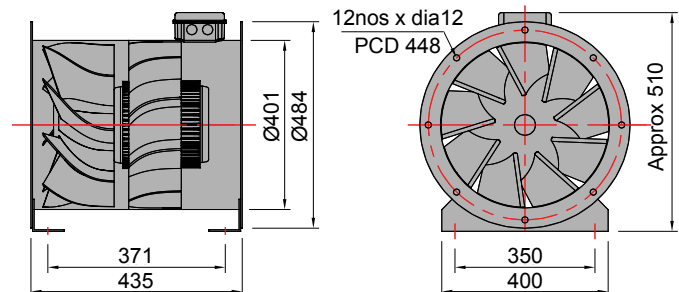


RFD 400M-8



Remark: RFE with single phase motor as optional and on request only

Typ :	RFD 400M-8		IP54	Δ dB	L_{WA}	L_{PA4}
ArtNr :	051245		DD0b	$L_{WA \text{ tot}}$	66	46
	42 kg		GS 2	125 Hz	51	31
U :	400 V 50 Hz			250 Hz	58	38
P_1 :	0,18 kW		RTD 1,2	500 Hz	62	42
I_N :	0,84 A		SAD 9	1 kHz	62	42
n :	720 min ⁻¹	Freq	F1/F1S	2 kHz	56	36
C_{400V} :	NA μ F			4 kHz	48	28
t_R :	40 °C			8 kHz	41	21

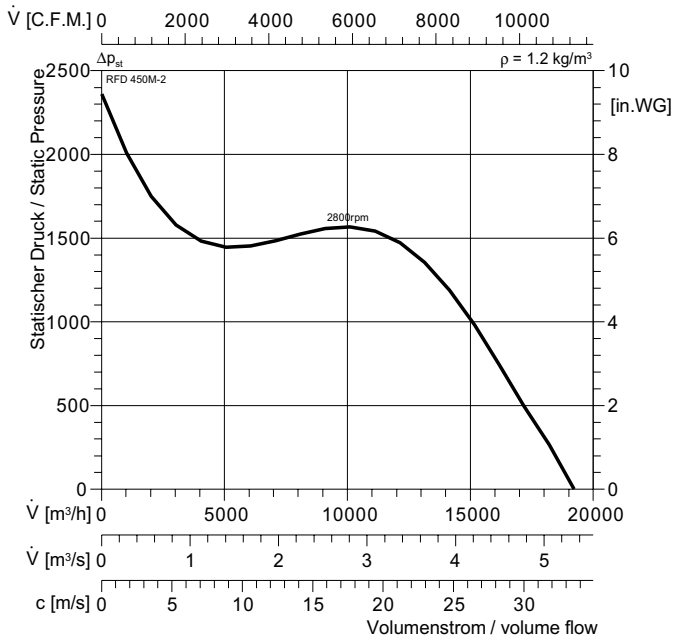




RFE, RFG, RFD

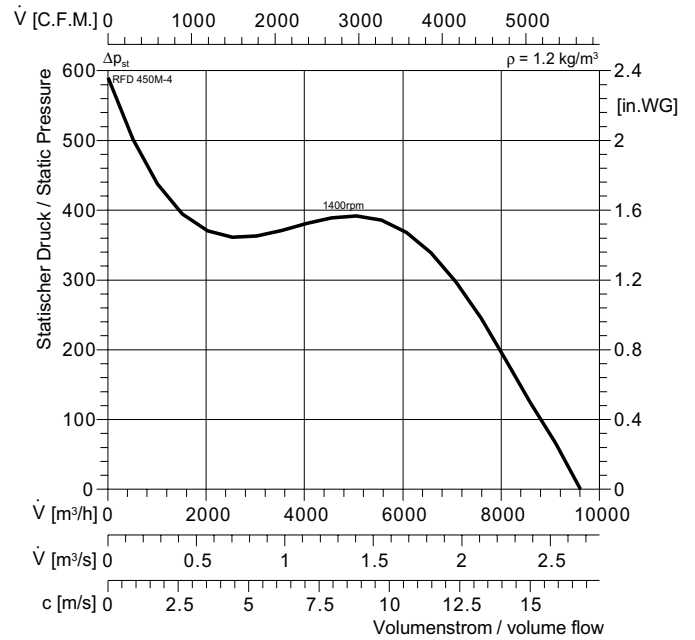


RFD 450M-2



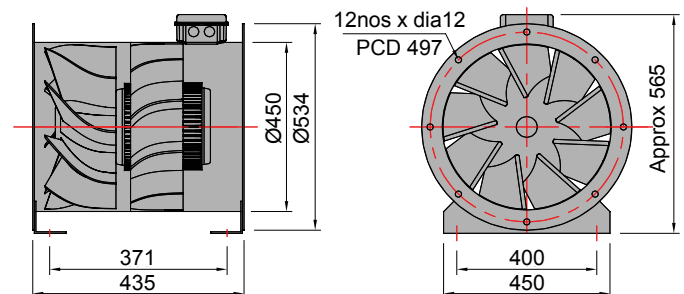
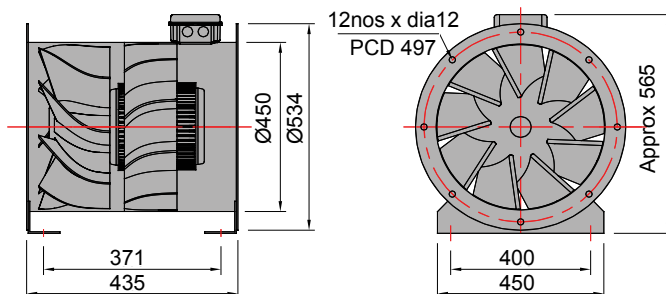
Typ :	RFD 450M-2	IP54	Δ dB	L_{WA}	L_{PA4}
ArtNr :	051247	DD0b	$L_{WA \text{ tot}}$	103	83
\square :	134 kg	GS 2	125 Hz	73	53
U :	400 V 50 Hz		250 Hz	84	64
P_1 :	11 kW	RTD	500 Hz	95	75
I_N :	20,4 A	SAD	1 kHz	98	78
n :	2800 min ⁻¹	Freq -	2 kHz	98	78
C_{400V} :	NA μ F		4 kHz	94	74
t_R :	40 °C		8 kHz	85	65

RFD 450M-4

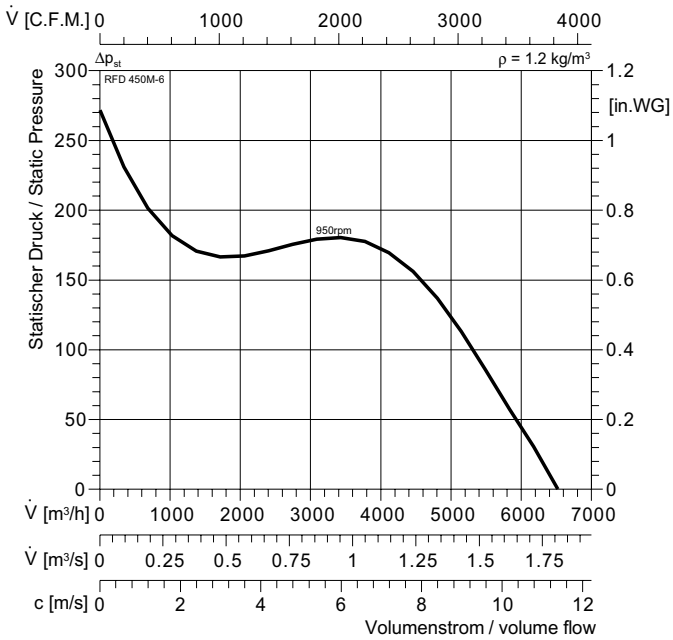


Remark: RFE with single phase motor as optional and on request only

Typ :	RFD 450M-4	IP54	Δ dB	L_{WA}	L_{PA4}
ArtNr :	051249	DD0b	$L_{WA \text{ tot}}$	87	67
\square :	54 kg	GS2	125 Hz	62	42
U :	400 V 50 Hz		250 Hz	76	56
P_1 :	1,5 kW	RTD 3,8	500 Hz	81	61
I_N :	3,54 A	SAD 9	1 kHz	83	63
n :	1400 min ⁻¹	Freq F2/F2S	2 kHz	80	60
C_{400V} :	NA μ F		4 kHz	74	54
t_R :	50 °C		8 kHz	64	44

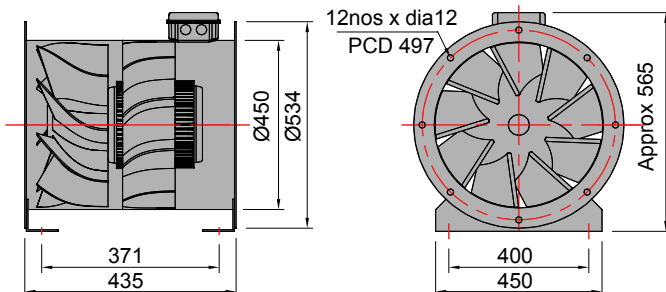


RFD 450M-6

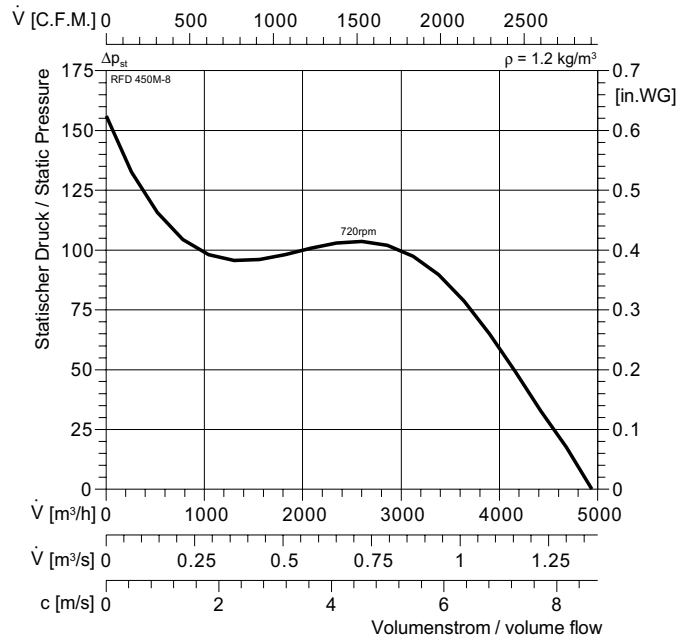


Remark: RFE with single phase motor as optional and on request only

Typ :	RFD 450M-6		IP54	Δ dB	L_{WA}	L_{PA4}
ArtNr :	051251		DD0b	$L_{WA \text{ tot}}$	76	56
	43 kg		GS 2	125 Hz	60	40
U :	400 V 50 Hz			250 Hz	65	45
P_1 :	0,55 kW		RTD 2,5	500 Hz	71	51
I_N :	1,7 A		SAD 9	1 kHz	72	52
n :	950 min^{-1}	Freq	F1/F1S	2 kHz	67	47
C_{400V} :	NA μF			4 kHz	59	39
t_R :	40 $^{\circ}\text{C}$			8 kHz	51	31

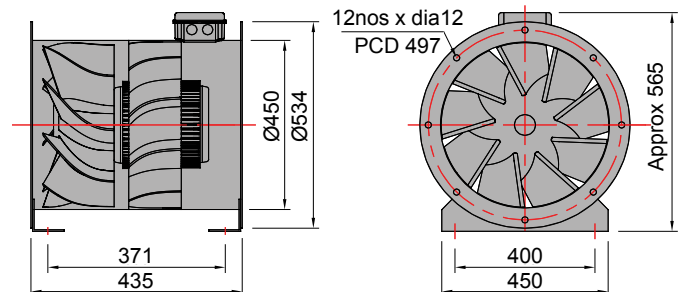


RFD 450M-8



Remark: RFE with single phase motor as optional and on request only

Typ :	RFD 450M-8		IP54	Δ dB	L_{WA}	L_{PA4}
ArtNr :	051253		DD0b	$L_{WA \text{ tot}}$	70	50
	44 kg		GS2	125 Hz	54	34
U :	400 V 50 Hz			250 Hz	61	41
P_1 :	0,25 kW		RTD 1,2	500 Hz	66	46
I_N :	1,1 A		SAD 9	1 kHz	65	45
n :	720 min^{-1}	Freq	F1/F1S	2 kHz	60	40
C_{400V} :	NA μF			4 kHz	52	32
t_R :	40 $^{\circ}\text{C}$			8 kHz	45	25

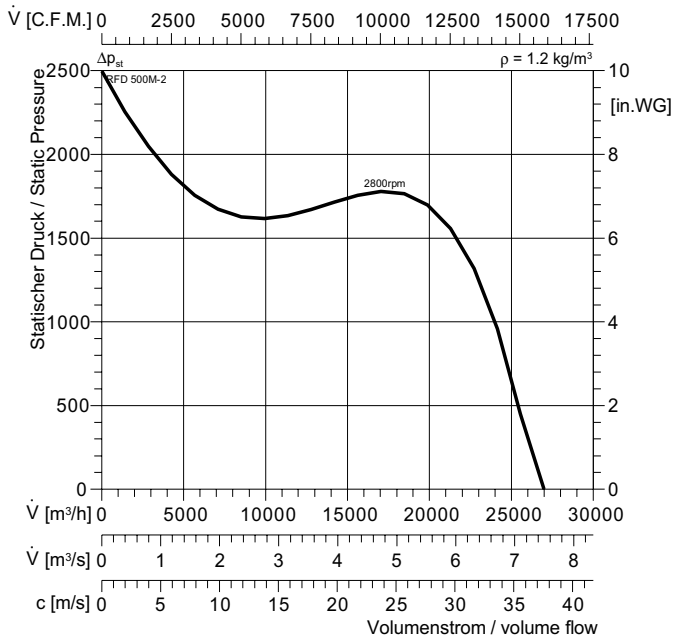




RFE, RFG, RFD

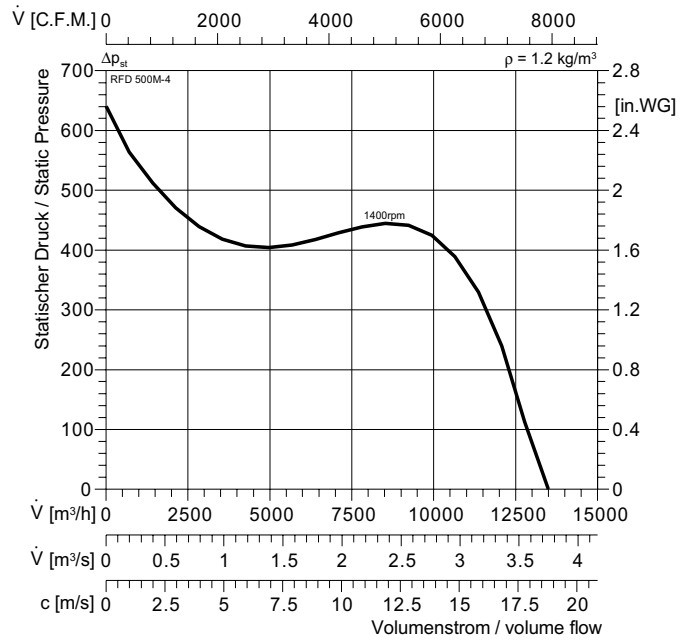


RFD 500M-2



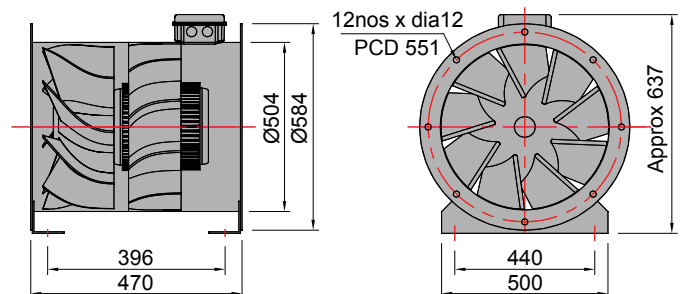
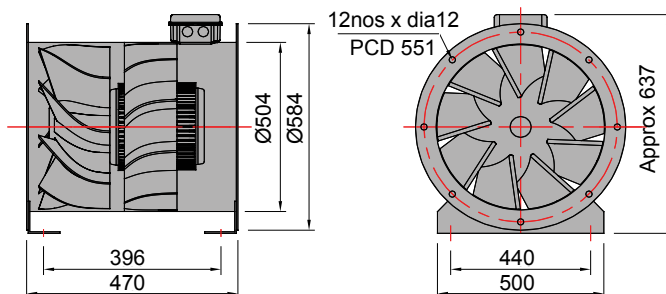
Typ :	RFD 500M-2	IP54	Δ dB	L_{WA}	L_{PA4}
ArtNr :	051255	DD0b	$L_{WA \text{ tot}}$	106	86
\square :	164,5 kg	GS 2	125 Hz	76	56
U :	400 V 50 Hz		250 Hz	87	67
P_1 :	18,5 kW	RTD	500 Hz	99	79
I_N :	34,3 A	SAD	1 kHz	101	81
n :	2800 min ⁻¹	Freq	2 kHz	101	81
C_{400V} :	NA μ F		4 kHz	97	77
t_R :	40 °C		8 kHz	89	69

RFD 500M-4

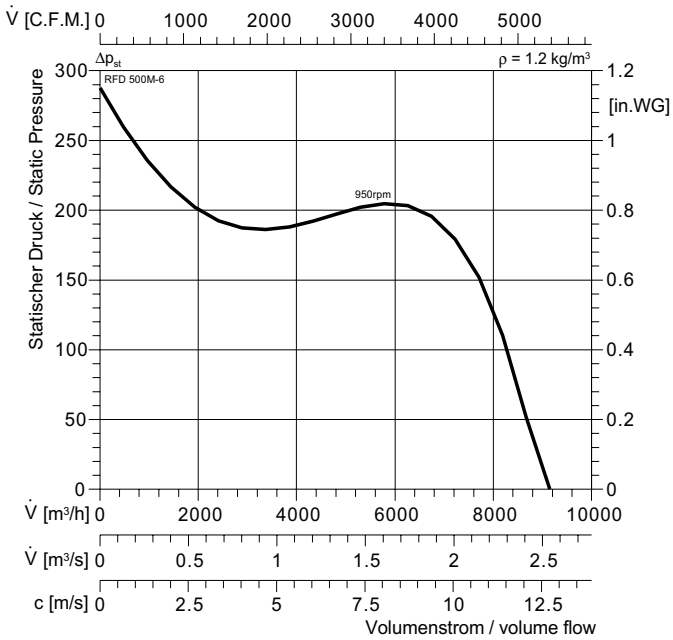


Remark: RFE with single phase motor as optional and on request only

Typ :	RFD 500M-4	IP54	Δ dB	L_{WA}	L_{PA4}
ArtNr :	051257	DD0b	$L_{WA \text{ tot}}$	90	70
\square :	64,5 kg	GS 2	125 Hz	66	46
U :	400 V 50 Hz		250 Hz	79	59
P_1 :	2,2 kW	RTD 5	500 Hz	84	64
I_N :	4,9 A	SAD 9	1 kHz	86	66
n :	1400 min ⁻¹	Freq	F3/F3S	84	64
C_{400V} :	NA μ F		4 kHz	77	57
t_R :	40 °C		8 kHz	67	47

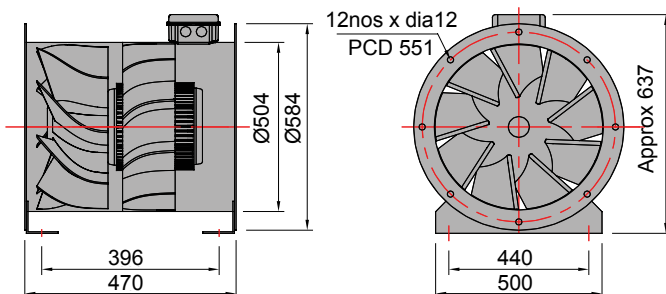


RFD 500M-6

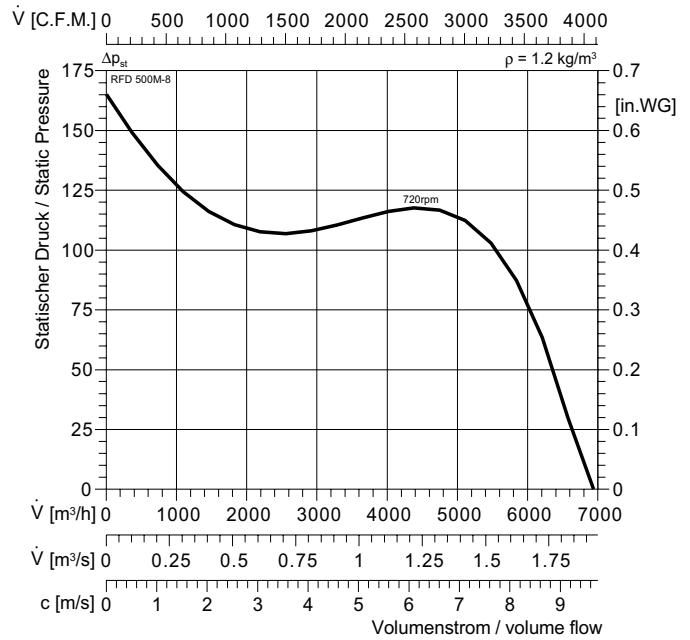


Remark: RFE with single phase motor as optional and on request only

Typ :	RFD 500M-6		IP54	Δ dB	L_{WA}	L_{PA4}
ArtNr :	051259		DD0b	$L_{WA tot}$	79	59
	53,5		GS 2	125 Hz	63	43
U :	400 V 50 Hz			250 Hz	69	49
P_1 :	0,75		RTD 2,5	500 Hz	74	54
I_N :	2,18		SAD 9	1 kHz	75	55
n :	950	Freq	F1/F1S	2 kHz	71	51
C_{400V} :	NA	μ F		4 kHz	63	43
t_R :	40	$^{\circ}$ C		8 kHz	54	34

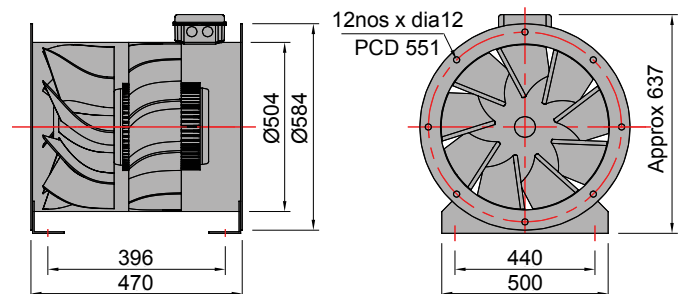


RFD 500M-8

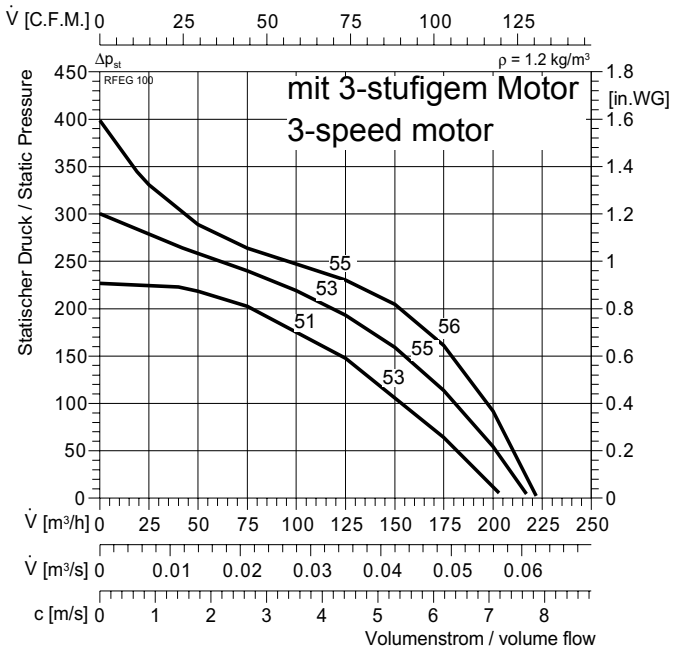


Remark: RFE with single phase motor as optional and on request only

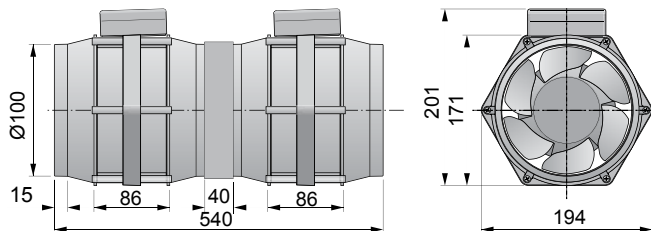
Typ :	RFD 500M-8		IP54	Δ dB	L_{WA}	L_{PA4}
ArtNr :	051261		DD0b	$L_{WA tot}$	73	53
	54,5		GS 2	125 Hz	58	38
U :	400 V 50 Hz			250 Hz	64	44
P_1 :	0,37		RTD 2,5	500 Hz	69	49
I_N :	1,41		SAD 9	1 kHz	68	48
n :	720	Freq	F1/F1S	2 kHz	63	43
C_{400V} :	NA	μ F		4 kHz	55	35
t_R :	40	$^{\circ}$ C		8 kHz	48	28



RFEF 100



Typ :	RFEF 100		IP54	Δ dB	L_{WA}	L_{PA4}
ArtNr :	052071		E18	$L_{WA\ tot}$	-13	2 0
:	1,9 x 2 kg		GS 1	125 Hz	-21	-15 -15
U :	230 V 50 Hz		FWG-4	250 Hz	-19	-7 -7
P₁ :	0,035 x 2 kW		NE 0,5	500 Hz	-19	-3 -7
I_N :	0,15 x 2 A		RPE 02	1 kHz	-20	-4 -5
n :	2800 min⁻¹	Freq	-	2 kHz	-23	-4 -7
C_{400V} :	1 x 2 μF			4 kHz	-27	-12 -13
t_R :	40 °C			8 kHz	-36	-20 -22

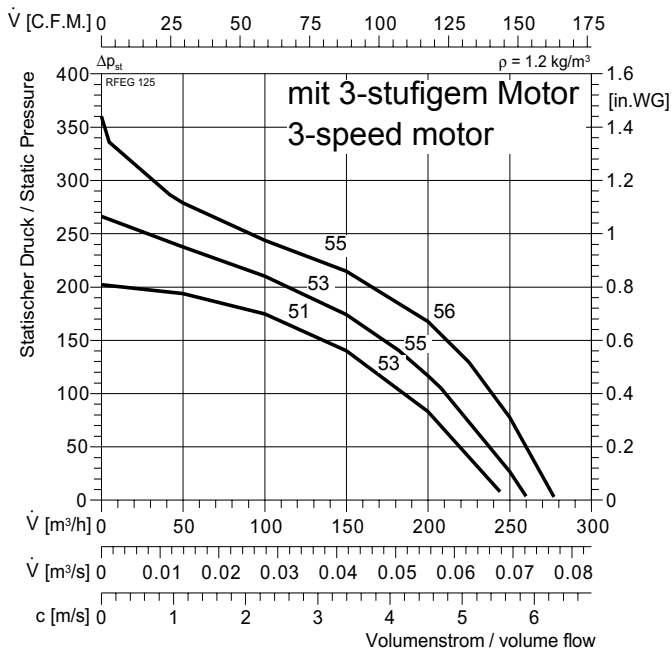




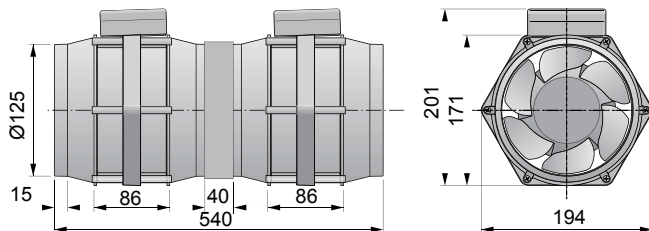
RFEF, RFDG



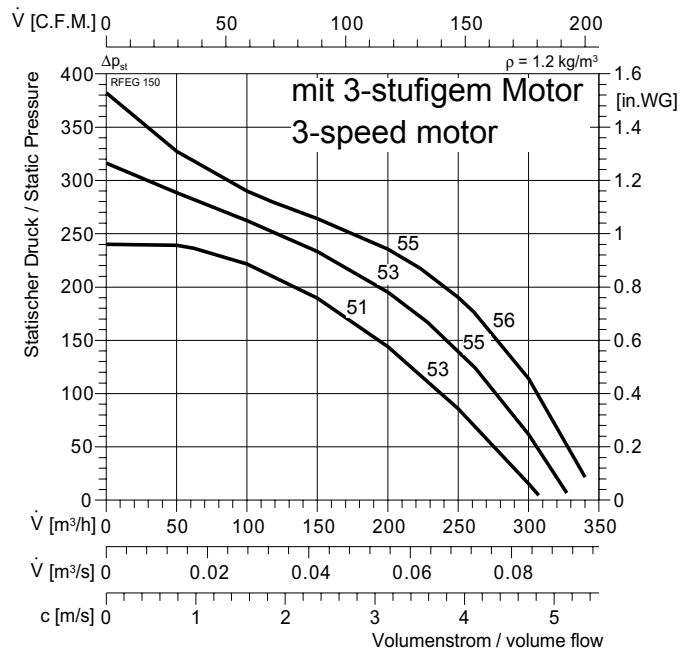
RFEF 125



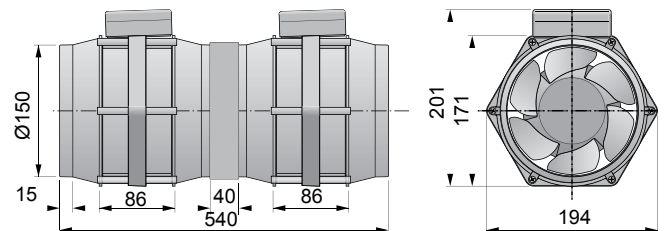
Typ :	RFEF 125		IP54	Δ dB	L_{WA}	L_{PA4}
ArtNr :	052121		E18	$L_{WA \text{ tot}}$	-13	2 0
	1,9 x 2 kg		GS 1	125 Hz	-21	-15 -15
U :	230 V 50 Hz		FWG-4	250 Hz	-19	-7 -7
P_1 :	0,035 x 2 kW		NE 0,5	500 Hz	-19	-3 -7
I_N :	0,15 x 2 A		RPE 02	1 kHz	-20	-4 -5
n :	2800 min ⁻¹	Freq	-	2 kHz	-23	-4 -7
C_{400V} :	1 x 2 μ F			4 kHz	-27	-12 -13
t_R :	40 °C			8 kHz	-36	-20 -22



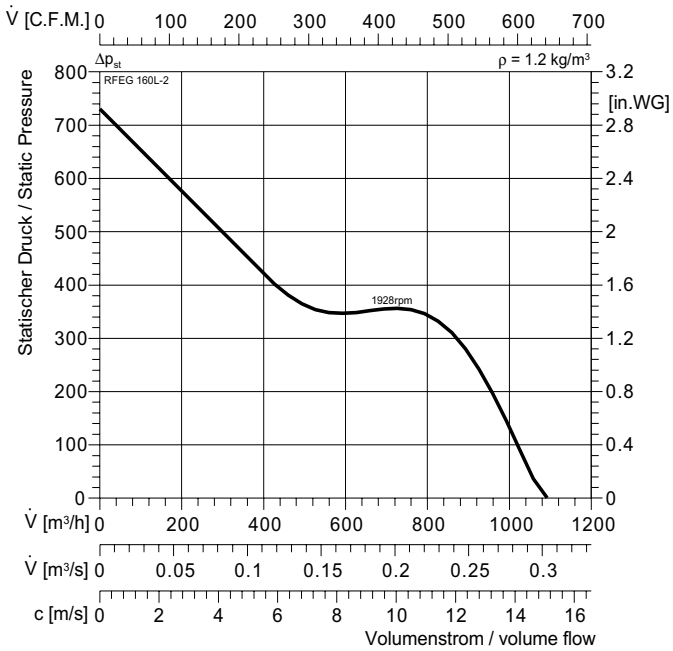
RFEF 150



Typ :	RFEF 150		IP54	Δ dB	L_{WA}	L_{PA4}
ArtNr :	052171		E18	$L_{WA \text{ tot}}$	-13	2 0
	1,9 x 2 kg		GS 1	125 Hz	-21	-15 -15
U :	230 V 50 Hz		FWG-4	250 Hz	-19	-7 -7
P_1 :	0,035 x 2 kW		NE 0,5	500 Hz	-19	-3 -7
I_N :	0,15 x 2 A		RPE 02	1 kHz	-20	-4 -5
n :	2800 min ⁻¹	Freq	-	2 kHz	-23	-4 -7
C_{400V} :	1 x 2 μ F			4 kHz	-27	-12 -13
t_R :	40 °C			8 kHz	-36	-20 -22

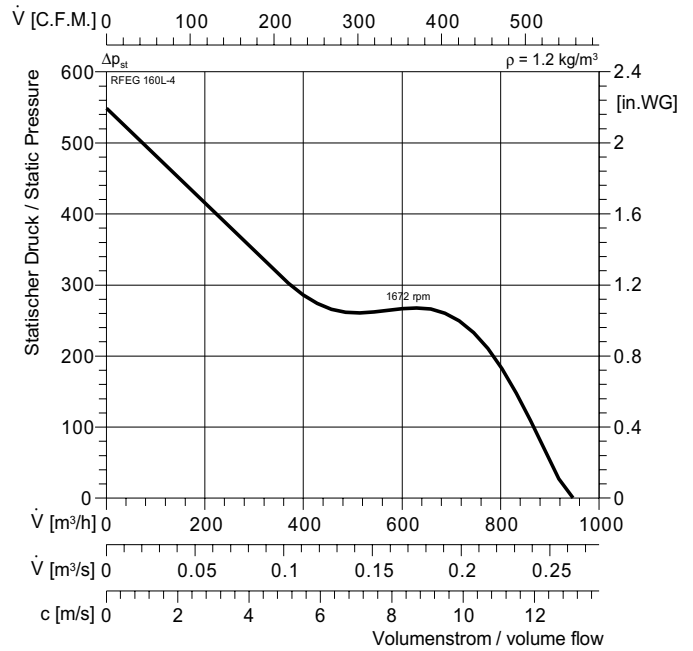


RFEG 160L-2

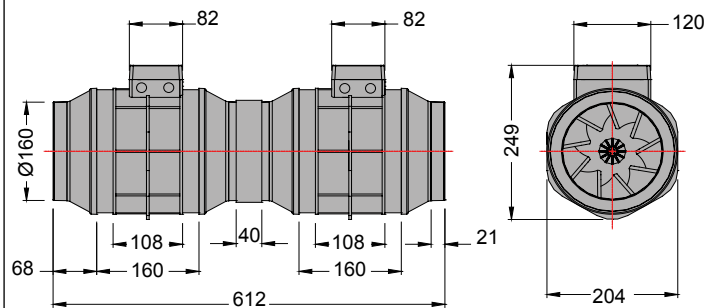
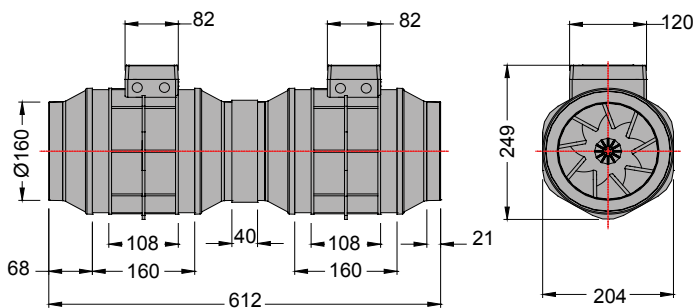


Typ :	RFEG 160L-2		IP54	Δ dB	L_{WA}	L_{PA4}
ArtNr :	052121		E16-2	$L_{WA \text{ tot}}$	80	60
	4,2 x 2		GS 1	125 Hz	50	30
U :	230 V 50 Hz			250 Hz	61	41
P_1 :	0,25 x 2		NE 1,5	500 Hz	73	53
I_N :	1,15 x 2		RPE 06	1 kHz	75	55
n :	1928	Freq	-	2 kHz	75	55
C_{400V} :	8 x 2			4 kHz	71	51
t_R :	40			8 kHz	62	42

RFEG 160L-4



Typ :	RFEG 160L-4		IP54	Δ dB	L_{WA}	L_{PA4}
ArtNr :	052121		E16-2	$L_{WA \text{ tot}}$	67	47
	4,2 x 2		GS 1	125 Hz	41	21
U :	230 V 50 Hz			250 Hz	55	35
P_1 :	0,2 x 2		NE 1,5	500 Hz	61	41
I_N :	0,85 x 2		RPE 06	1 kHz	63	43
n :	1672	Freq	-	2 kHz	61	41
C_{400V} :	8 x 2			4 kHz	55	35
t_R :	40			8 kHz	44	24

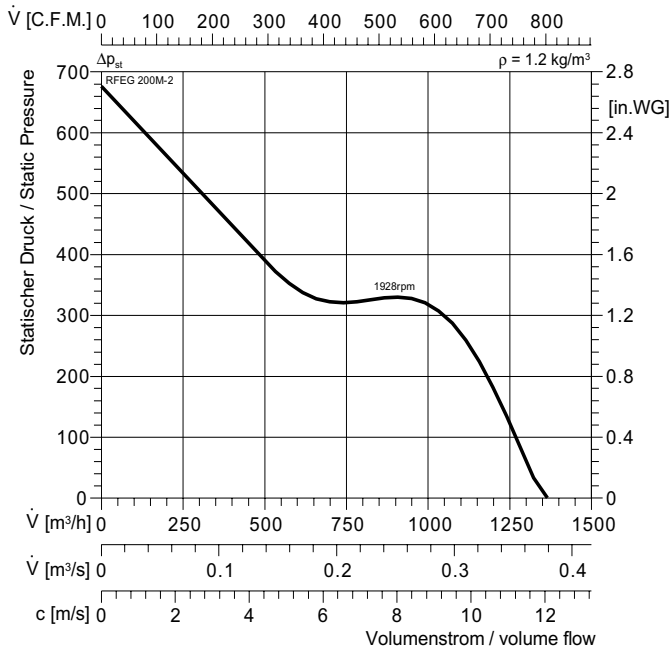




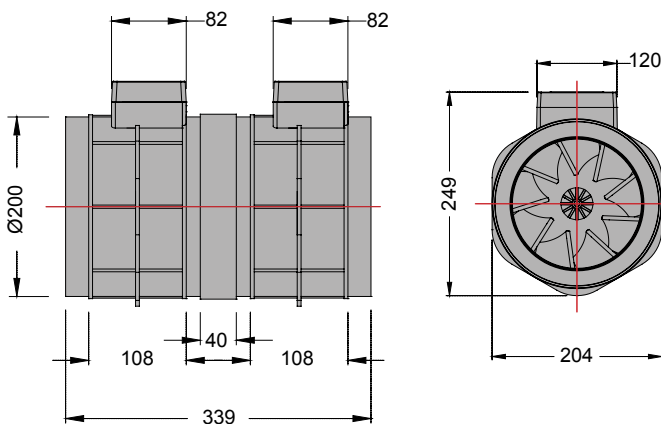
RFEF, RFDG



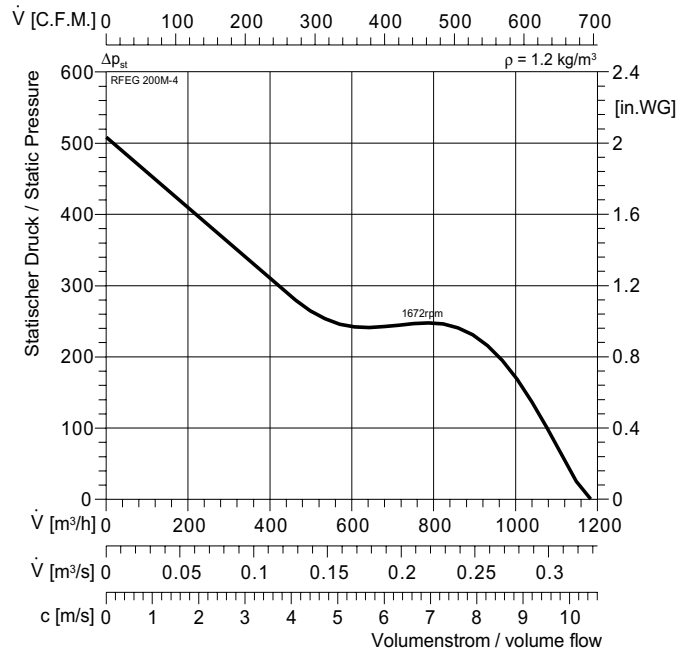
RFEF 200M-2



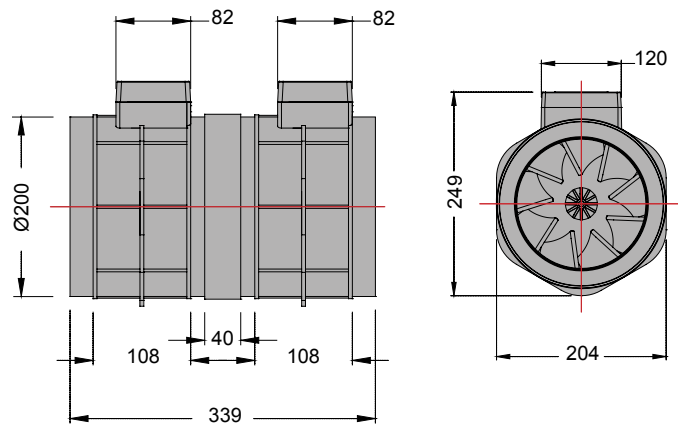
Typ :	RFEF 200M-2	IP54	ΔdB	L _{WA}	L _{PA4}
ArtNr :	052222	E16-2	L _{WA tot}	80	60
Size :	3,8 x 2	GS 1	125 Hz	50	30
U :	230 V 50 Hz		250 Hz	61	41
P ₁ :	0,25 x 2	NE 1,5	500 Hz	73	53
I _N :	1,15 x 2	RPE 06	1 kHz	75	55
n :	1928	Freq	2 kHz	75	55
C _{400V} :	8 x 2		4 kHz	71	51
t _R :	40		8 kHz	62	42



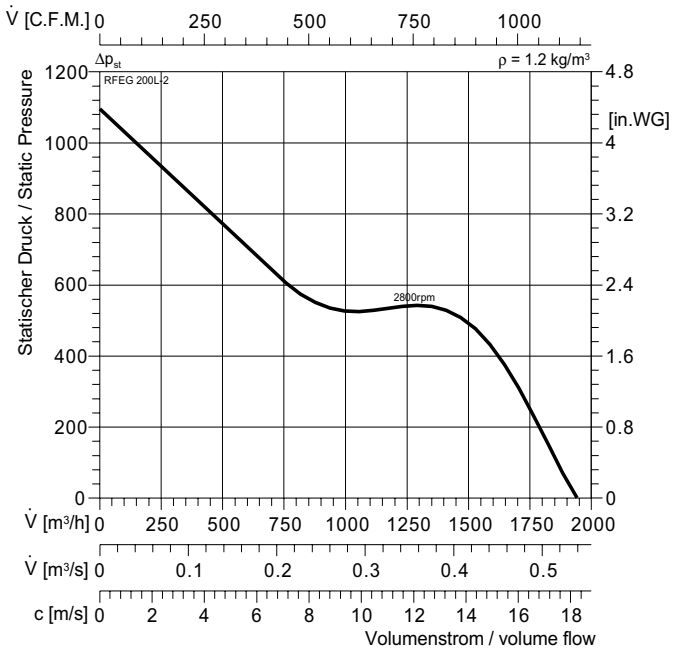
RFEF 200M-4



Typ :	RFEF 200M-4	IP54	ΔdB	L _{WA}	L _{PA4}
ArtNr :	052222	E16-2	L _{WA tot}	67	47
Size :	3,8 x 2	GS 1	125 Hz	41	21
U :	230 V 50 Hz		250 Hz	55	35
P ₁ :	0,2 x 2	NE 1,5	500 Hz	61	41
I _N :	0,85 x 2	RPE 06	1 kHz	63	43
n :	1672	Freq	2 kHz	61	41
C _{400V} :	8 x 2		4 kHz	55	35
t _R :	40		8 kHz	44	24

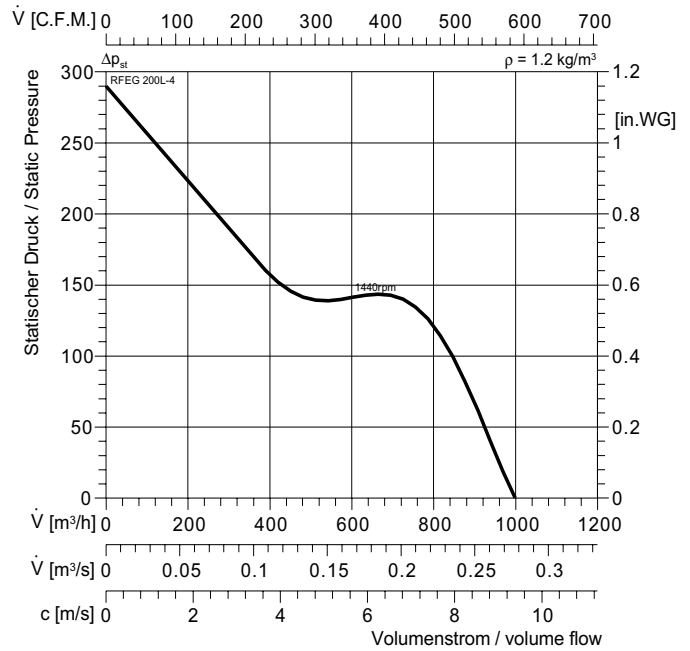


RFEG 200L-2

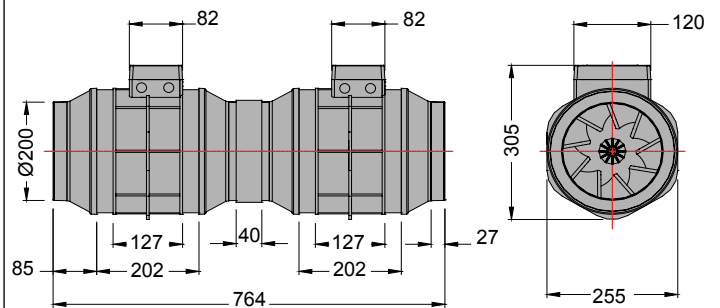
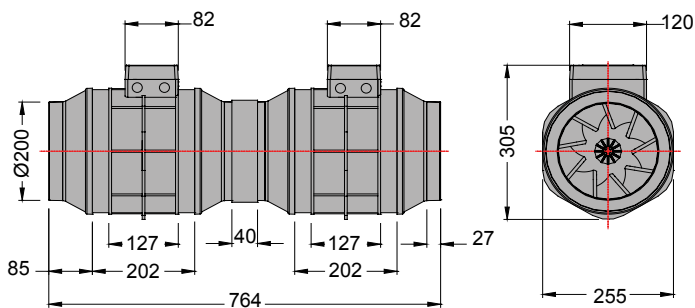


Typ : RFEG 200L-2		IP54	Δ dB	L_{WA}	L_{PA4}
ArtNr : 052223		E13	$L_{WA\ tot}$	83	63
■ : 7,5 x 2		GS 2	125 Hz	53	33
U : 230 V 50 Hz			250 Hz	64	44
P₁ : 0,55 x 2		NE 3,2	500 Hz	76	56
I_N : 3,2 x 2		RPE 09	1 kHz	78	58
n : 2800	min⁻¹	Freq -	2 kHz	78	58
C_{400V} : 8 x 2	μF		4 kHz	74	54
t_R : 40	°C		8 kHz	65	45

RFEG 200L-4



Typ : RFEG 200L-4		IP54	Δ dB	L_{WA}	L_{PA4}
ArtNr : 052224		E13	$L_{WA\ tot}$	68	48
■ : 5,1 x 2		GS 2	125 Hz	43	23
U : 230 V 50 Hz			250 Hz	57	37
P₁ : 0,22 x 2		NE 1.5	500 Hz	62	42
I_N : 0,96 x 2		RPE 02	1 kHz	64	44
n : 1440	min⁻¹	Freq -	2 kHz	61	41
C_{400V} : 8 x 2	μF		4 kHz	54	34
t_R : 40	°C		8 kHz	45	25

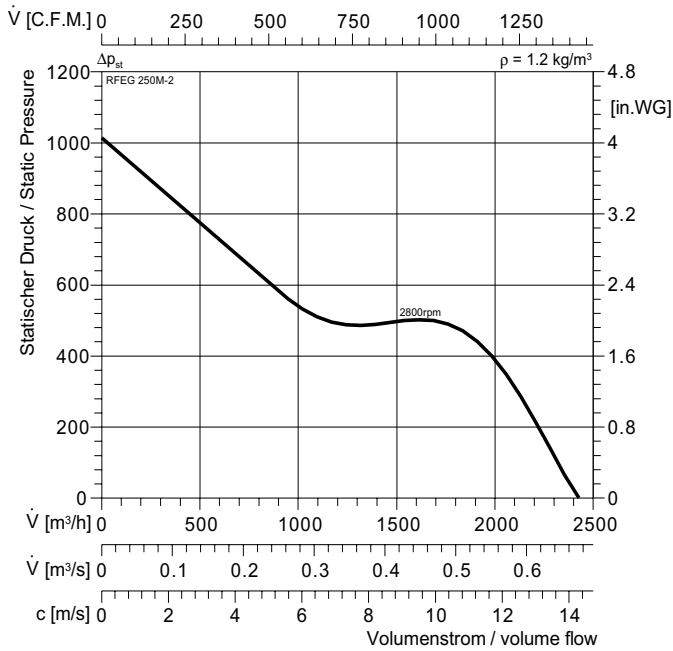




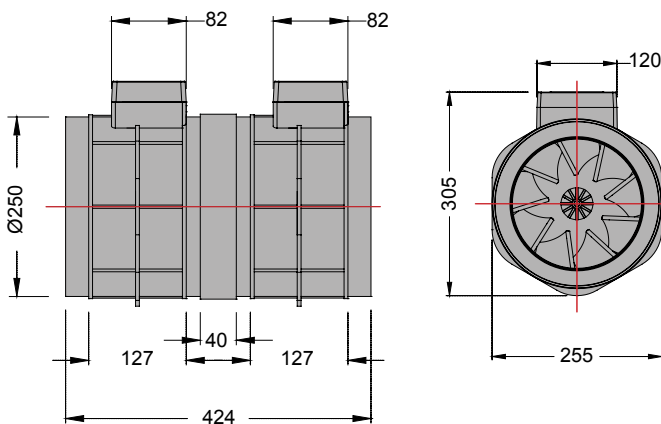
RFEF, RFDG



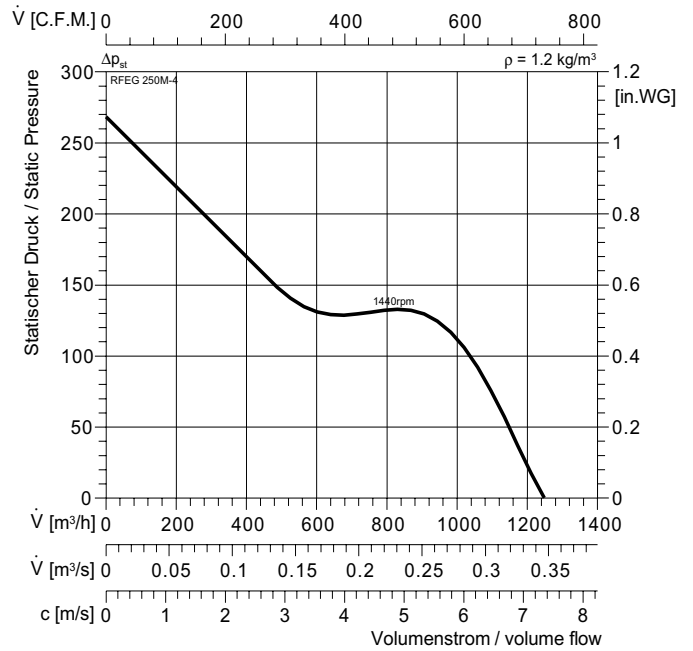
RFEF 250M-2



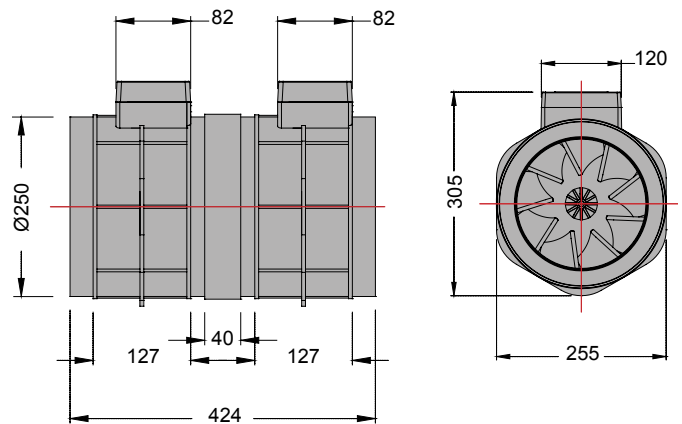
Typ :	RFEF 250M-2	△	IP55	ΔdB	L _{WA}	L _{PA4}
ArtNr :	052225	★	E13	L _{WA tot}	86	66
■ :	7,1 x 2 kg	□	GS 2	125 Hz	57	37
U :	230 V 50 Hz	□		250 Hz	67	47
P ₁ :	0,55 x 2 kW	■	NE 3,2	500 Hz	79	59
I _N :	3,2 x 2 A	▽	RPE 09	1 kHz	81	61
n :	2800 min ⁻¹	Freq	-	2 kHz	82	62
C _{400V} :	17 x 2 μF			4 kHz	77	57
t _R :	40 °C			8 kHz	69	49



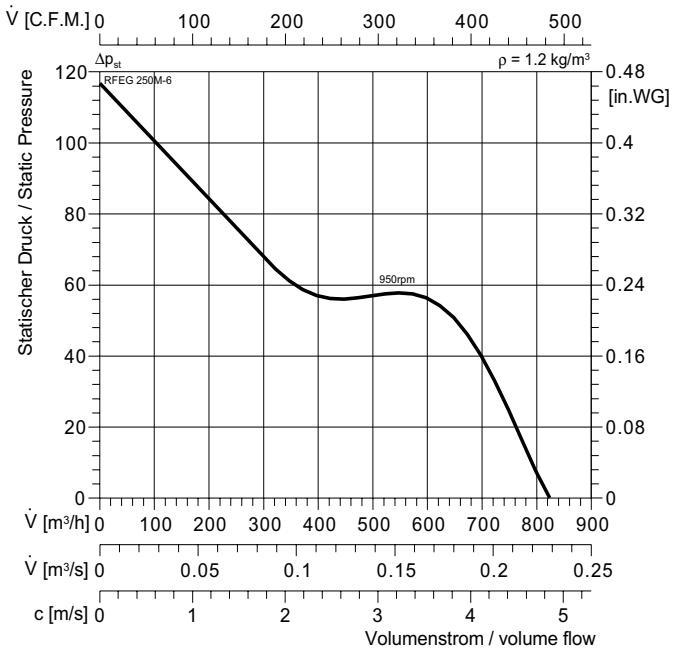
RFEF 250M-4



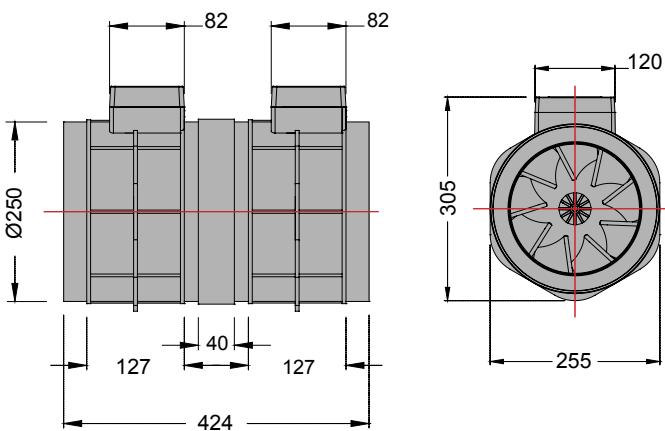
Typ :	RFEF 250M-4	△	IP55	ΔdB	L _{WA}	L _{PA4}
ArtNr :	052226	★	E13	L _{WA tot}	71	51
■ :	4,5 x 2 kg	□	GS 2	125 Hz	46	26
U :	230 V 50 Hz	□		250 Hz	60	40
P ₁ :	0,22 x 2 kW	■	NE 1.5	500 Hz	65	45
I _N :	0,96 x 2 A	▽	RPE 02	1 kHz	67	47
n :	1440 min ⁻¹	Freq	-	2 kHz	65	45
C _{400V} :	8 x 2 μF			4 kHz	58	38
t _R :	40 °C			8 kHz	48	28



RFE 250M-6



Typ :	RFE 250M-6		IP54	Δ dB	L_{WA}	L_{PA4}
ArtNr :	052226		E13	$L_{WA \text{ tot}}$	61	41
:	5,3 x 2 kg		GS 2	125 Hz	36	16
U :	230 V 50 Hz			250 Hz	50	30
P_1 :	0,075 x 2 kW		NE 0,5	500 Hz	55	35
I_N :	0,28 x 2 A		RPE 06	1 kHz	57	37
n :	950 min ⁻¹	Freq	-	2 kHz	55	35
C_{400V} :	μ F			4 kHz	48	28
t_R :	40 °C			8 kHz	38	18

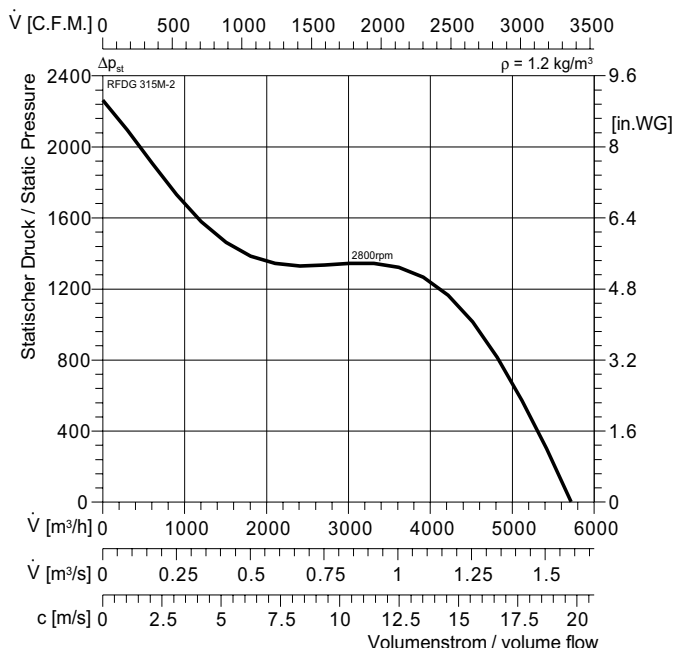




RFE, RFDG



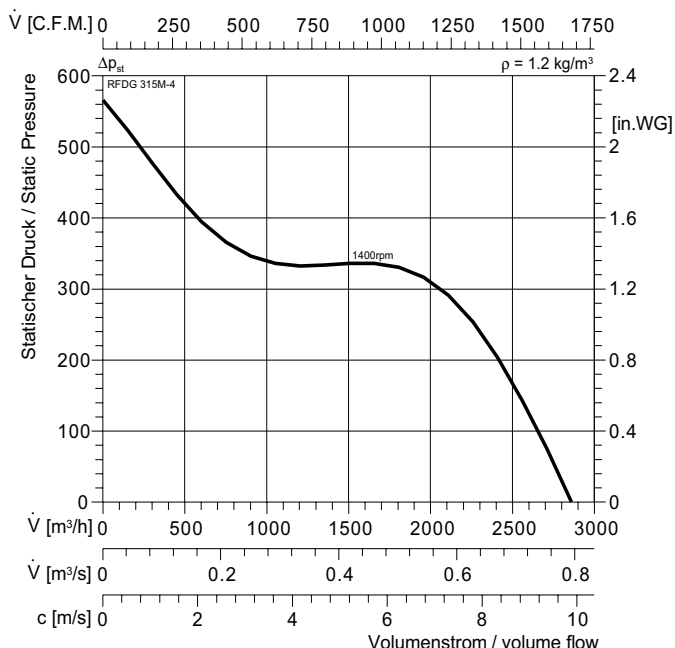
RFDG 315M-2



Remark: RFE with single phase motor as optional and on request only

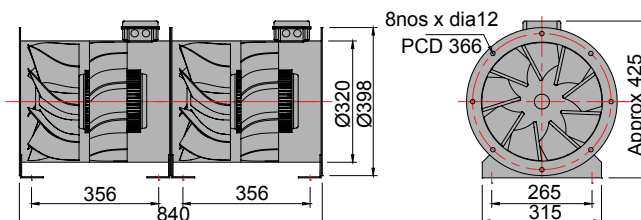
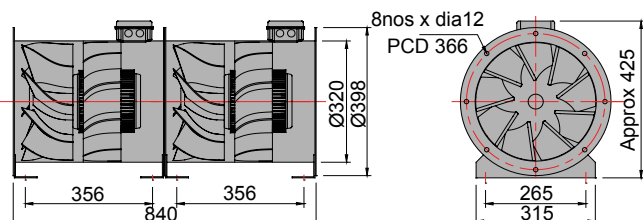
Typ :	RFDG 315M-2	IP54	Δ dB	L_{WA}	L_{PA4}
ArtNr :	052227	DD0b	$L_{WA \text{ tot}}$	93	73
\square :	43 x 2 kg	GS 2	125 Hz	64	44
U :	400 V 50 Hz		250 Hz	75	55
P_1 :	2,2 x 2 kW	RTD 5	500 Hz	86	66
I_N :	4,61 x 2 A	SAD 9	1 kHz	88	68
n :	2800 min ⁻¹	Freq F3/F3S	2 kHz	89	69
C_{400V} :	NA μ F		4 kHz	84	64
t_R :	40 °C		8 kHz	76	56

RFDG 315M-4

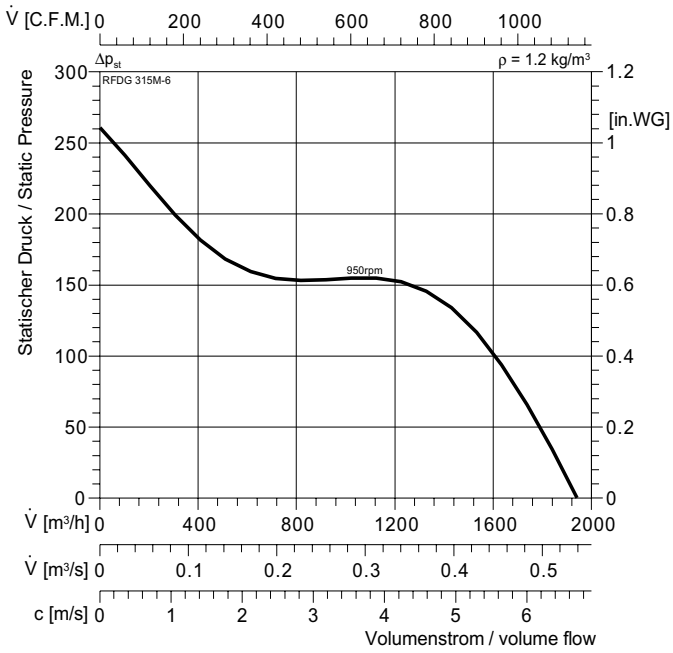


Remark: RFE with single phase motor as optional and on request only

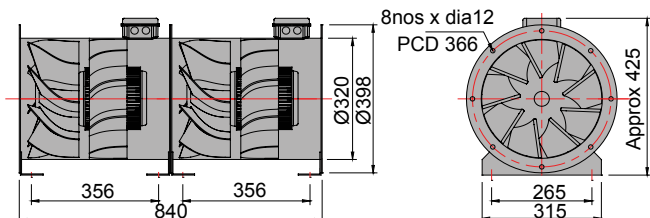
Typ :	RFDG 315M-4	IP54	Δ dB	L_{WA}	L_{PA4}
ArtNr :	052229	DD0b	$L_{WA \text{ tot}}$	78	58
\square :	32 x 2 kg	GS 2	125 Hz	54	34
U :	400 V 50 Hz		250 Hz	67	47
P_1 :	0,37 x 2 kW	RTD 1,2	500 Hz	72	52
I_N :	1,06 x 2 A	SAD 9	1 kHz	74	54
n :	1400 min ⁻¹	Freq F1/F1S	2 kHz	72	52
C_{400V} :	NA μ F		4 kHz	65	45
t_R :	50 °C		8 kHz	55	35



RFDG 315M-6



Typ :	RFDG 315M-6		IP54	Δ dB	L_{WA}	L_{PA4}
ArtNr :	052230		DD0b	$L_{WA \text{ tot}}$	68	48
	29 x 2	kg		GS	125 Hz	44 24
U :	400 V	50 Hz			250 Hz	57 37
P_1 :	0,125 x 2	kW		RTD 1,2	500 Hz	62 42
I_N :	0,57 x 2	A		SAD 9	1 kHz	64 44
n :	950	min ⁻¹	Freq	F1/F1S	2 kHz	62 42
C_{400V} :	NA	μ F			4 kHz	55 35
t_R :	40	°C			8 kHz	45 25

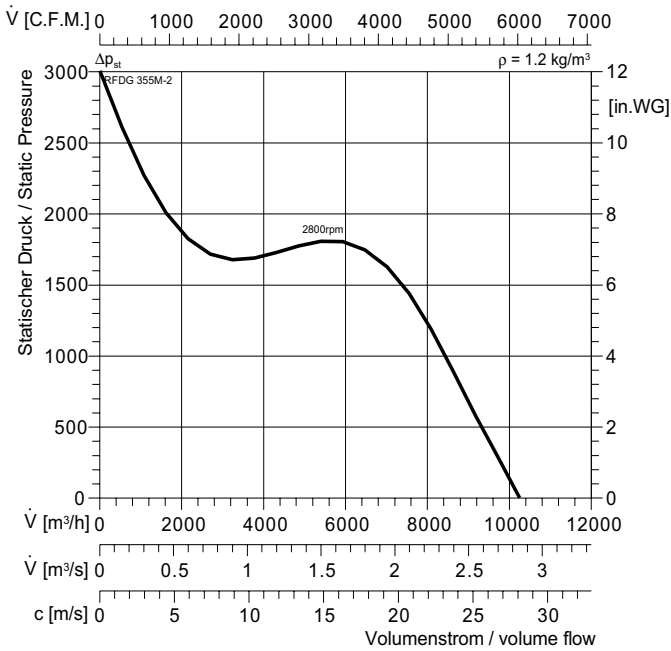




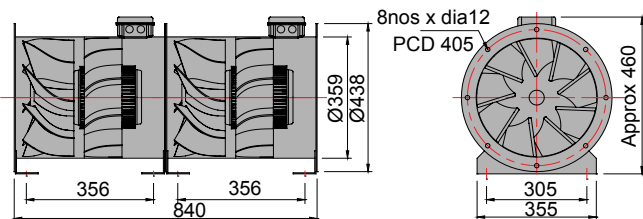
RFE, RFDG



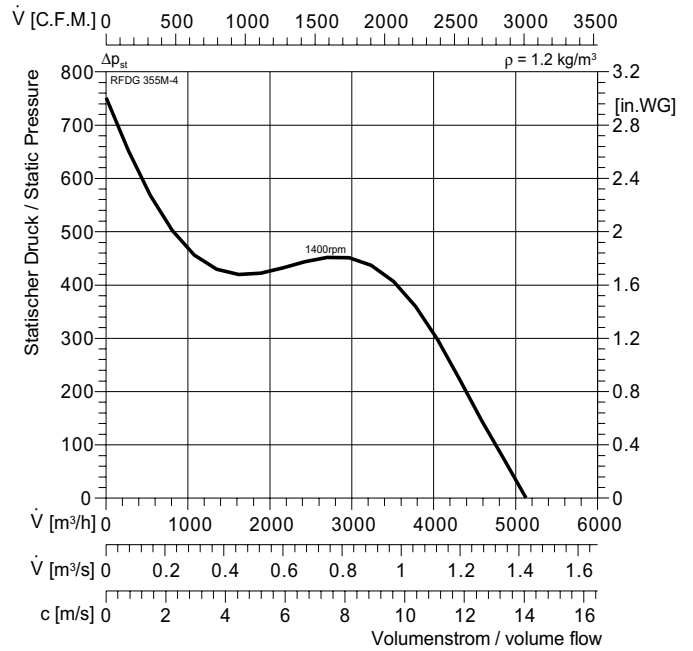
RFDG 355M-2



Typ :	RFDG 355M-2	⚠	IP54	ΔdB	L _{WA}	L _{PA4}
ArtNr :	052231	★	DD0b	L _{WA tot}	97	77
■ :	60 x 2 kg	⏏	GS 2	125 Hz	67	47
U :	400 V 50 Hz	⏏		250 Hz	78	58
P ₁ :	4 x 2 kW	⏏	RTD 10	500 Hz	90	70
I _N :	7,72 x 2 A	⏏	SAD 9	1 kHz	92	72
n :	2800 min ⁻¹	Freq	F4	2 kHz	92	72
C _{400V} :	NA μF			4 kHz	88	68
t _R :	40 °C			8 kHz	79	59

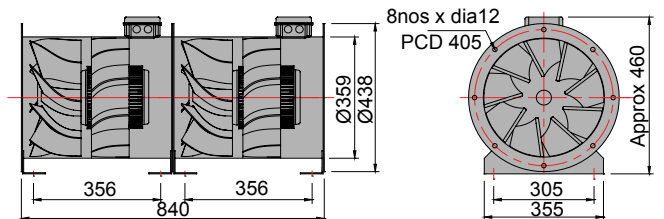


RFDG 355M-4

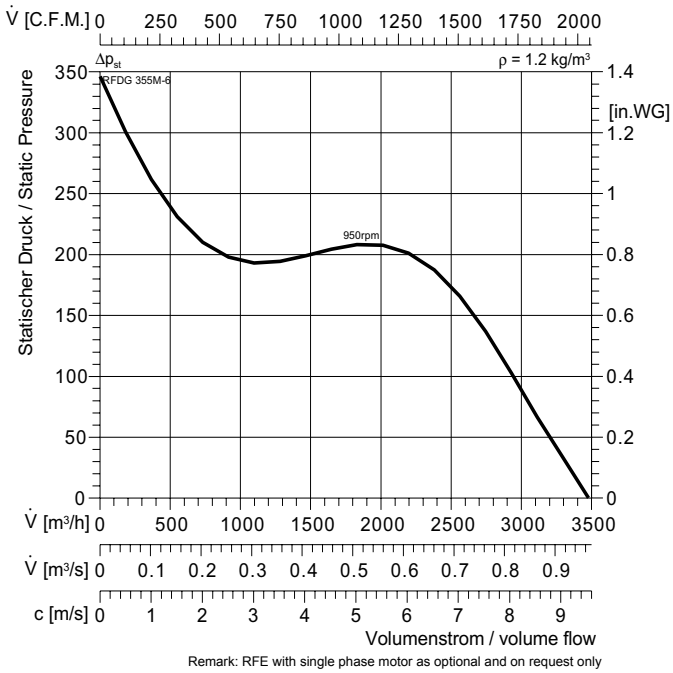


Remark: RFE with single phase motor as optional and on request only

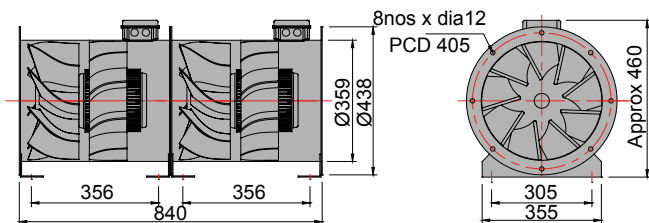
Typ :	RFDG 355M-4	⚠	IP54	ΔdB	L _{WA}	L _{PA4}
ArtNr :	052233	★	DD0b	L _{WA tot}	82	62
■ :	35 x 2 kg	⏏	GS 2	125 Hz	57	37
U :	400 V 50 Hz	⏏		250 Hz	71	51
P ₁ :	0,55 x 2 kW	⏏	RTD 2,5	500 Hz	75	55
I _N :	1,49 x 2 A	⏏	SAD 9	1 kHz	78	58
n :	1400 min ⁻¹	Freq	F1/F1S	2 kHz	75	55
C _{400V} :	NA μF			4 kHz	68	48
t _R :	40 °C			8 kHz	58	38



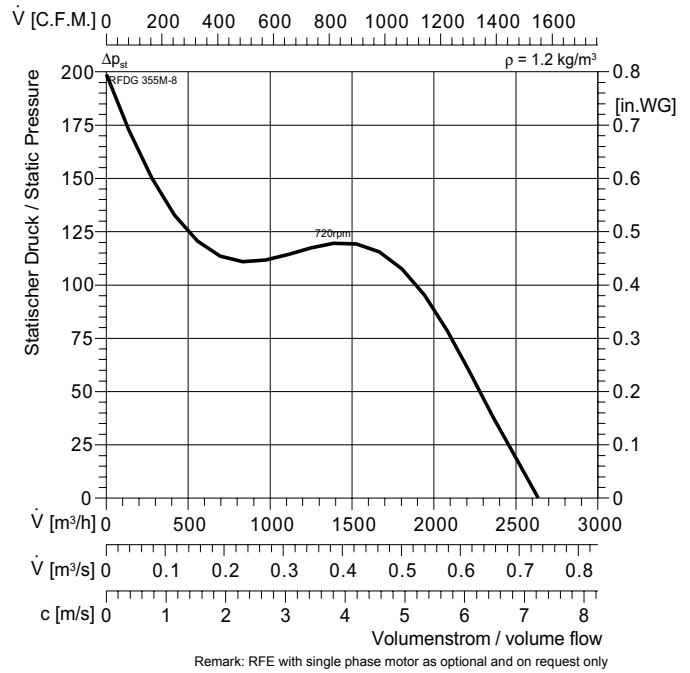
RFDG 355M-6



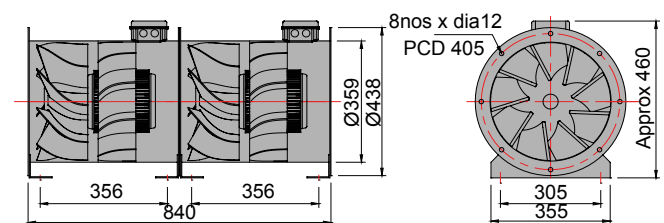
Typ : RFDG 355M-6		IP54	Δ dB	L_{WA}	L_{PA4}
ArtNr : 052235		DD0b	$L_{WA\ tot}$	72	52
■ : 33 x 2		GS 2	125 Hz	47	27
U : 400 V 50 Hz		RTD 1,2	250 Hz	61	41
P₁ : 0,18 x 2		SAD 9	500 Hz	65	45
I_N : 0,7 x 2	Freq F1/F1S		1 kHz	68	48
n : 950	min⁻¹		2 kHz	65	45
C_{400V} : NA	μF		4 kHz	58	38
t_R : 40	°C		8 kHz	48	28



RFDG 355M-8



Typ : RFDG 355M-8		IP54	Δ dB	L_{WA}	L_{PA4}
ArtNr : 052237		DD0b	$L_{WA\ tot}$	65	45
■ : 26,5 x 2		GS 2	125 Hz	49	29
U : 400 V 50 Hz		RTD 1,2	250 Hz	53	36
P₁ : 0,075 x 2		SAD 9	500 Hz	61	41
I_N : 0,28 x 2	Freq F1/F1S		1 kHz	60	40
n : 720	min⁻¹		2 kHz	54	34
C_{400V} : NA	μF		4 kHz	46	26
t_R : 40	°C		8 kHz	39	19

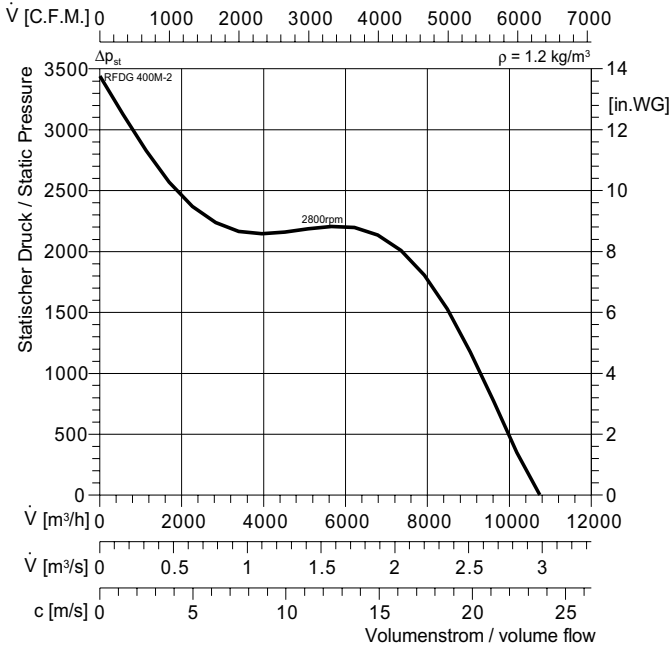




RFE, RFDG

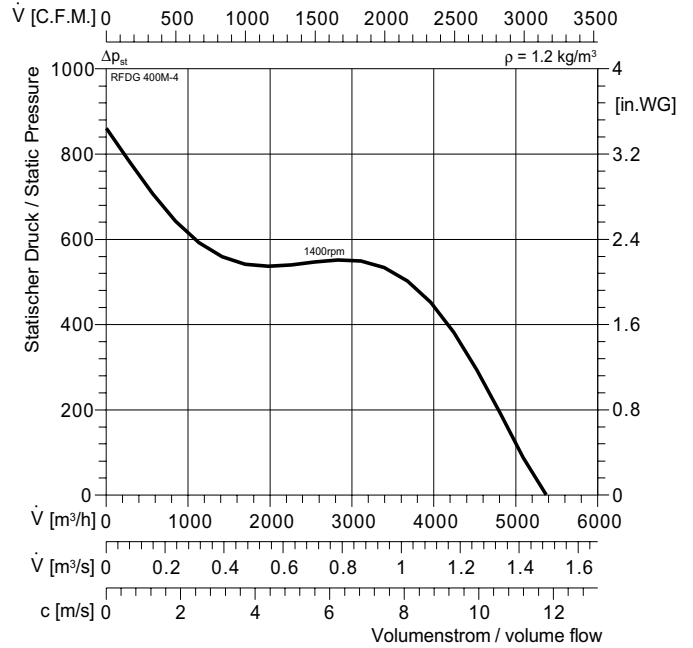


RFDG 400M-2



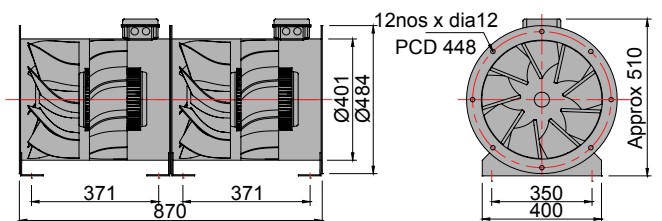
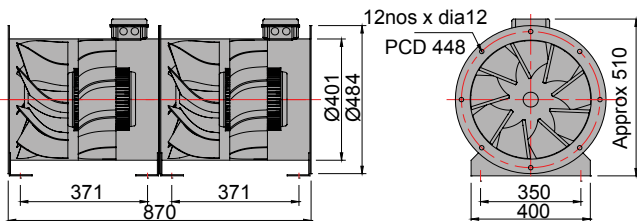
Typ :	RFDG 400M-2	IP54	Δ dB	L_{WA}	L_{PA4}
ArtNr :	052239	DD0b	$L_{WA \text{ tot}}$	101	81
\square :	88 x 2 kg	GS 2	125 Hz	72	52
U :	400 V 50 Hz		250 Hz	83	63
P_1 :	7,5x2 kW	RTD 14	500 Hz	94	74
I_N :	14,1x2 A	SAD 16	1 kHz	97	77
n :	2800 min ⁻¹	Freq F6	2 kHz	97	77
C_{400V} :	NA μ F		4 kHz	93	73
t_R :	40 °C		8 kHz	74	64

RFDG 400M-2

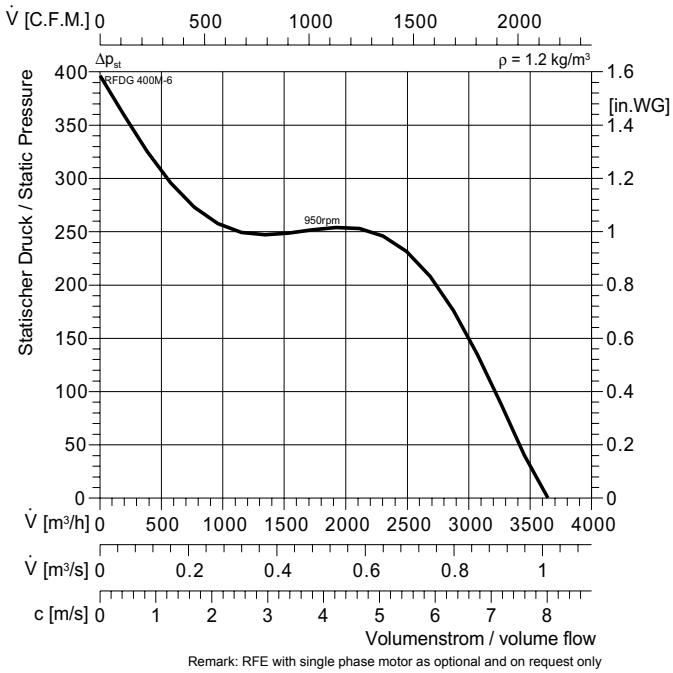


Remark: RFE with single phase motor as optional and on request only

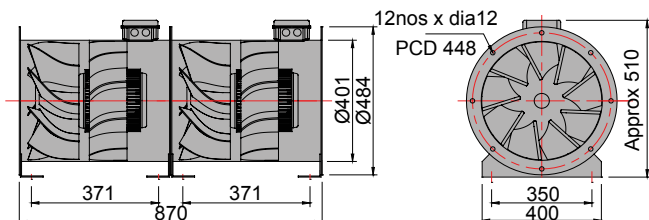
Typ :	RFDG 400M-4	IP54	Δ dB	L_{WA}	L_{PA4}
ArtNr :	052241	DD0b	$L_{WA \text{ tot}}$	86	66
\square :	42 x 2 kg	GS 2	125 Hz	62	42
U :	400 V 50 Hz		250 Hz	75	55
P_1 :	0,75 x 2 kW	RTD 2,5	500 Hz	80	60
I_N :	1,95 x 2 A	SAD 9	1 kHz	82	62
n :	1400 min ⁻¹	Freq F1/F1S	2 kHz	80	60
C_{400V} :	NA μ F		4 kHz	73	53
t_R :	40 °C		8 kHz	63	43



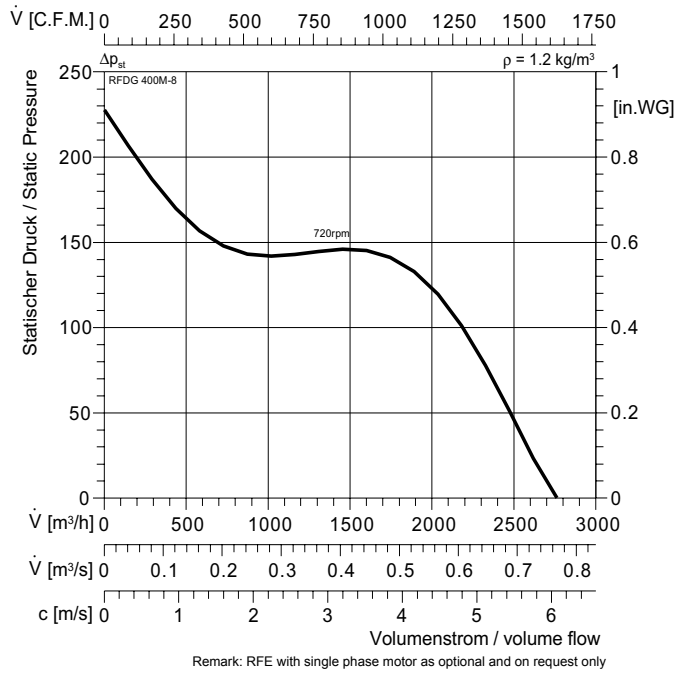
RFDG 400M-6



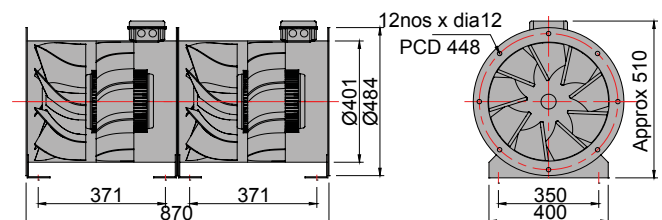
Typ : RFDG 400M-6	⚠	IP54	ΔdB	L _{WA}	L _{PA4}
ArtNr : 052243	★	DD0b	L _{WA tot}	75	55
■ : 40 x 2	kg	GS 2	125 Hz	59	39
U : 400 V 50 Hz			250 Hz	65	45
P₁ : 0,25 x 2	kW	RTD 1,2	500 Hz	71	51
I_N : 0,9 x 2	A	SAD 9	1 kHz	71	51
n : 950	min ⁻¹	Freq F1/F1S	2 kHz	67	47
C_{400V} : NA	μF		4 kHz	59	39
t_R : 40	°C		8 kHz	50	30



RFDG 400M-8



Typ : RFDG 400M-8	⚠	IP54	ΔdB	L _{WA}	L _{PA4}
ArtNr : 052245	★	DD0b	L _{WA tot}	69	49
■ : 42 x 2	kg	GS 2	125 Hz	54	34
U : 400 V 50 Hz			250 Hz	61	41
P₁ : 0,18 x 2	kW	RTD 1,2	500 Hz	65	45
I_N : 0,84 x 2	A	SAD 9	1 kHz	65	45
n : 720	min ⁻¹	Freq F1/F1S	2 kHz	59	39
C_{400V} : NA	μF		4 kHz	51	31
t_R : 40	°C		8 kHz	44	24

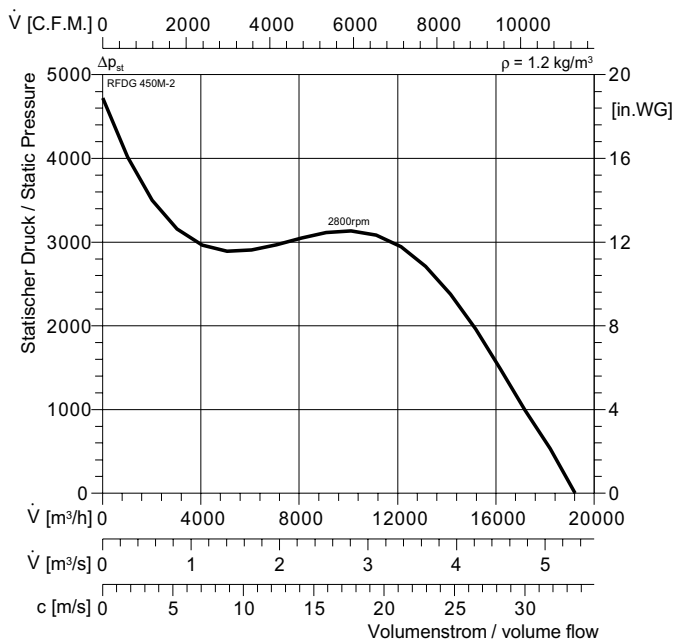




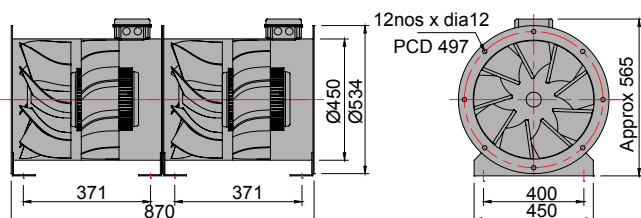
RFE, RFDG



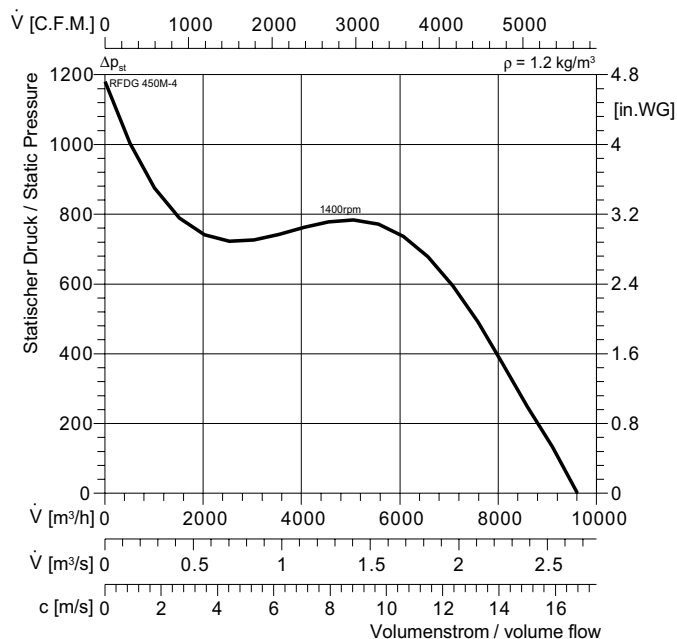
RFDG 450M-2



Typ :	RFDG 450M-2	IP54	Δ dB	L_{WA}	L_{PA4}
ArtNr :	052247	DD0b	$L_{WA \text{ tot}}$	106	86
\square :	134 x 2 kg	GS 2	125 Hz	76	56
U :	400 V 50 Hz		250 Hz	87	67
P_1 :	11 x 2 kW	RTD	500 Hz	98	78
I_N :	20,4 x 2 A	SAD	1 kHz	101	81
n :	2800 min ⁻¹	Freq	-	2 kHz	101
C_{400V} :	NA μ F			4 kHz	97
t_R :	40 °C			8 kHz	88

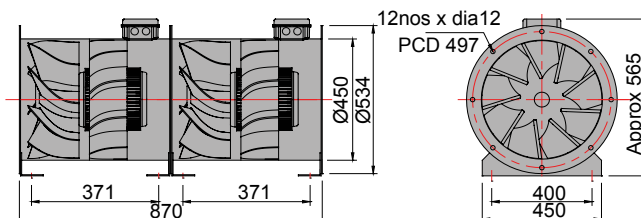


RFDG 450M-4

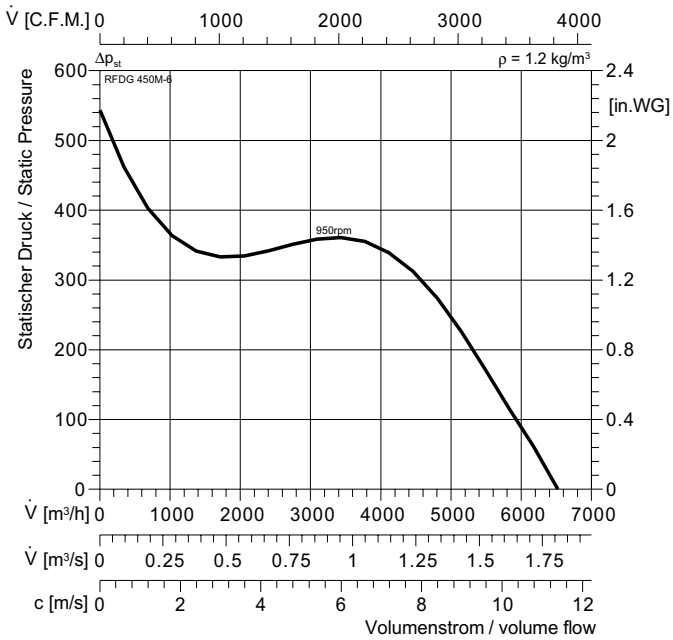


Remark: RFE with single phase motor as optional and on request only

Typ :	RFDG 450M-4	IP54	Δ dB	L_{WA}	L_{PA4}
ArtNr :	052249	DD0b	$L_{WA \text{ tot}}$	90	70
\square :	54 x 2 kg	GS2	125 Hz	65	45
U :	400 V 50 Hz		250 Hz	79	59
P_1 :	1,5 x 2 kW	RTD 3,8	500 Hz	84	64
I_N :	3,54 x 2 A	SAD 9	1 kHz	86	66
n :	1400 min ⁻¹	Freq	F2/F2S	2 kHz	83
C_{400V} :	NA μ F			4 kHz	77
t_R :	50 °C			8 kHz	67

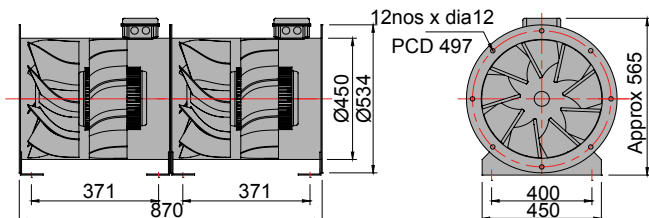


RFDG 450M-6

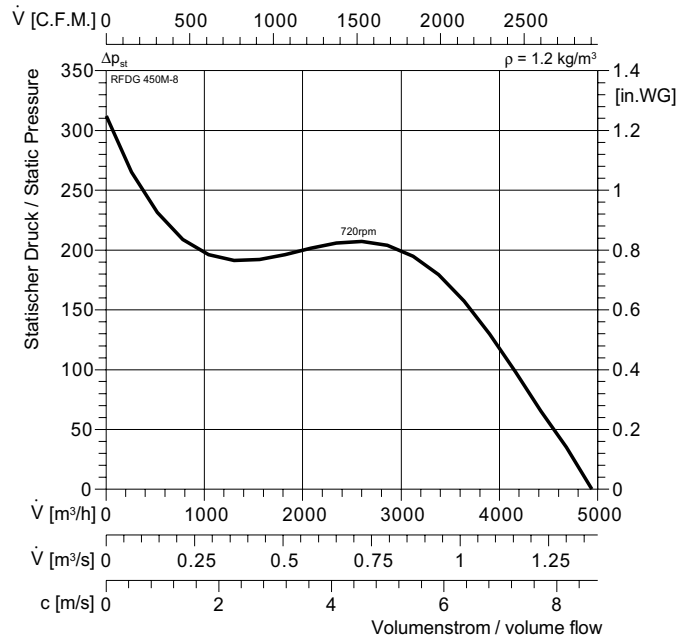


Remark: RFE with single phase motor as optional and on request only

Typ :	RFDG 450M-6	⚠	IP54	Δ dB	L_{WA}	L_{PA4}
ArtNr :	052251	★	DD0b	$L_{WA \text{ tot}}$	79	59
■ :	43 x 2	kg	GS 2	125 Hz	63	43
U :	400 V 50 Hz			250 Hz	68	48
P_1 :	0,55 x 2	kW	RTD 2,5	500 Hz	74	54
I_N :	1,7 x 2	A	SAD 9	1 kHz	75	55
n :	950	min ⁻¹	Freq F1/F1S	2 kHz	70	50
C_{400V} :	NA	μ F		4 kHz	62	42
t_R :	40	°C		8 kHz	54	34

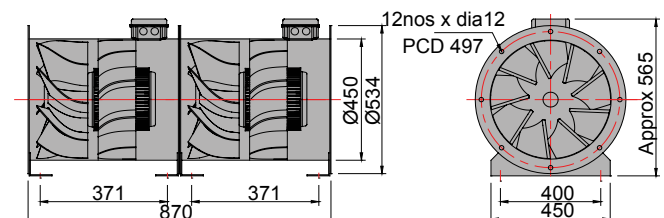


RFDG 450M-8



Remark: RFE with single phase motor as optional and on request only

Typ :	RFDG 450M-8	⚠	IP54	Δ dB	L_{WA}	L_{PA4}
ArtNr :	052253	★	DD0b	$L_{WA \text{ tot}}$	73	53
■ :	44 x 2	kg	GS2	125 Hz	57	37
U :	400 V 50 Hz			250 Hz	64	44
P_1 :	0,25 x 2	kW	RTD 1,2	500 Hz	69	49
I_N :	1,1 x 2	A	SAD 9	1 kHz	68	48
n :	720	min ⁻¹	Freq F1/F1S	2 kHz	63	43
C_{400V} :	NA	μ F		4 kHz	55	35
t_R :	40	°C		8 kHz	48	28

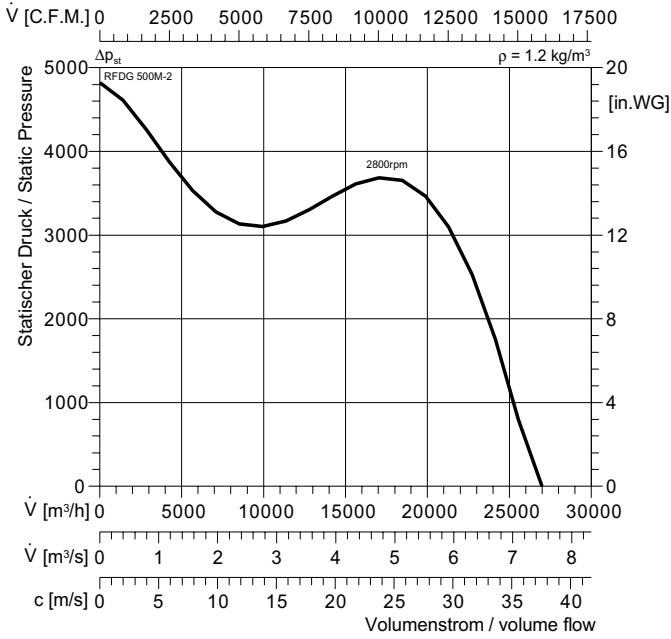




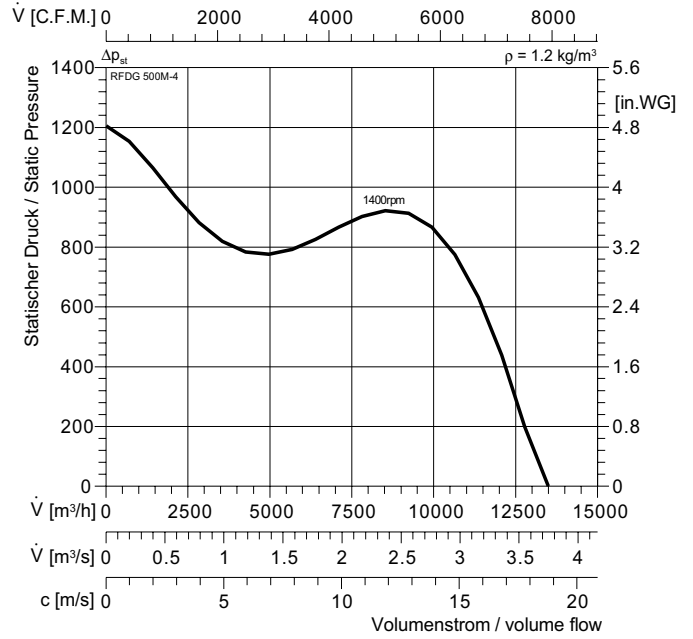
RFE, RFDG



RFDG 500M-2



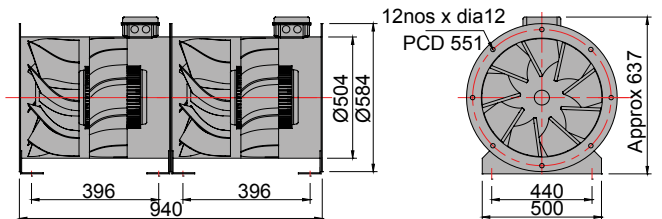
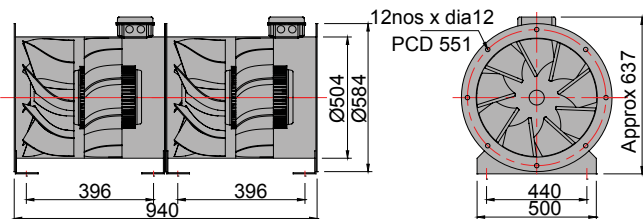
RFDG 500M-4



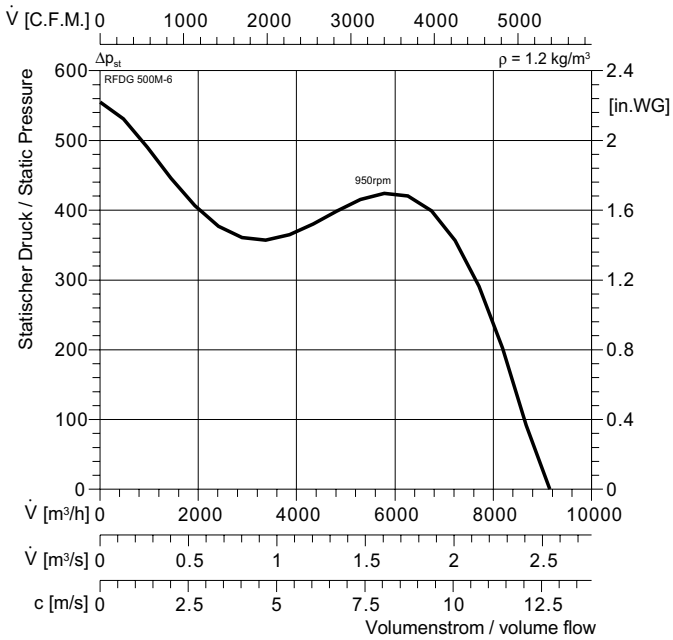
Remark: RFE with single phase motor as optional and on request only

Typ :	RFDG 500M-2	IP54	Δ dB	L_{WA}	L_{PA4}
ArtNr :	052255	DD0b	$L_{WA \text{ tot}}$	109	89
\square :	164,5 x 2 kg	GS 2	125 Hz	79	59
U :	400 V 50 Hz		250 Hz	90	70
P_1 :	15 x 2 kW	RTD	500 Hz	102	82
I_N :	34,3 x 2 A	SAD	1 kHz	104	84
n :	2800 min ⁻¹	Freq	-	2 kHz	104
C_{400V} :	NA μ F			4 kHz	100
t_R :	40 °C			8 kHz	92

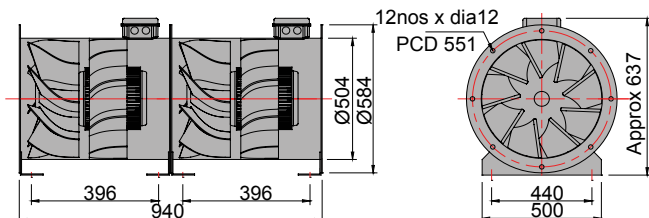
Typ :	RFDG 500M-4	IP54	Δ dB	L_{WA}	L_{PA4}
ArtNr :	052257	DD0b	$L_{WA \text{ tot}}$	93	73
\square :	64,5 x 2 kg	GS 2	125 Hz	69	49
U :	400 V 50 Hz		250 Hz	82	62
P_1 :	2,2 x 2 kW	RTD 5	500 Hz	87	67
I_N :	4,9 x 2 A	SAD 9	1 kHz	89	69
n :	1400 min ⁻¹	Freq	F3/F3S	2 kHz	87
C_{400V} :	NA μ F			4 kHz	80
t_R :	40 °C			8 kHz	70



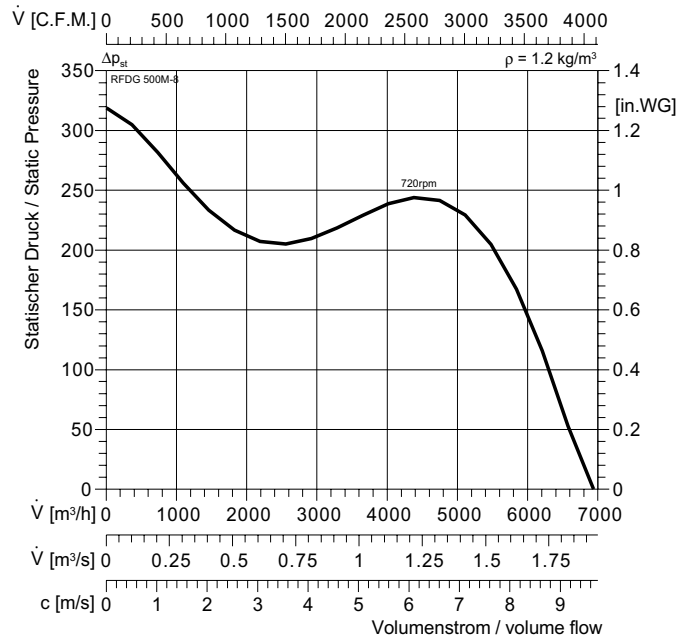
RFDG 500M-6



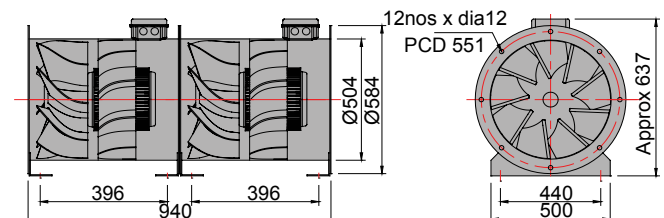
Typ : RFDG 500M-6		IP54	Δ dB	L_{WA}	L_{PA4}
ArtNr : 052259		DD0b	$L_{WA\ tot}$	82	62
■ : 53,5 x 2 kg		GS 2	125 Hz	66	46
U : 400 V 50 Hz			250 Hz	72	52
P₁ : 0,75 x 2 kW		RTD 2,5	500 Hz	77	57
I_N : 2,18 x 2 A		SAD 9	1 kHz	78	58
n : 950 min ⁻¹	Freq F1/F1S		2 kHz	74	54
C_{400V} : NA μ F			4 kHz	66	46
t_R : 40 °C			8 kHz	57	37



RFDG 500M-8



Typ : RFDG 500M-8		IP54	Δ dB	L_{WA}	L_{PA4}
ArtNr : 052261		DD0b	$L_{WA\ tot}$	76	56
■ : 54,5 x 2 kg		GS 2	125 Hz	61	41
U : 400 V 50 Hz			250 Hz	67	47
P₁ : 0,37 x 2 kW		RTD 2,5	500 Hz	72	52
I_N : 1,41 x 2 A		SAD 9	1 kHz	71	51
n : 720 min ⁻¹	Freq F1/F1S		2 kHz	66	46
C_{400V} : NA μ F			4 kHz	58	38
t_R : 40 °C			8 kHz	51	31





Werk und Hauptverwaltung Malsch

Engineering/Manufacturing at Malsch

Seit 1971 entwickelt und fertigt WOLTER Ventilatoren und Lüftungstechnische Geräte für den Weltmarkt. Aufgrund dieser langjährigen Erfahrung konnte das umfangreiche Lieferprogramm um zahlreiche Neuentwicklungen in den letzten Jahren erfolgreich erweitert werden.

Auf dem Klima- und Lüftungssektor hat Firma Wolter einen anerkannten Namen und wird auch gerne für besondere Ausführungen in Anspruch genommen.

WOLTER legt höchsten Wert auf innovative Technik und Qualität. Die Erfahrung der bestens ausgebildeten Mitarbeiter steht den Kunden weltweit zur Verfügung und garantiert die schnelle und sorgfältige Erledigung aller Kundenwünsche. Computergestützte Fertigung und Produktüberwachung sichern höchste Präzision in allen Bereichen.

Die beiden Produktionsstätten in Deutschland wurden im Laufe der Jahre um mehrere Montagebetriebe in Fernost erweitert. Das Unternehmen verfügt über Labors zur Leistungs- und Materialprüfung, Akustik und Regelungstechnik.

WOLTER-Produkte werden nach dem neuesten Stand der Technik und den weltweit anerkannten Normen, wie ISO 9001, DIN 24163 gefertigt und geprüft. Sie finden vielfältigen Einsatz: Lüftungstechnische Anlagen, Industrie, Bergbau, Tunnelbau, Landwirtschaft, Marine etc. Durch ständige Erweiterung der Produktpalette sichert sich WOLTER eine hervorragende Position im Wettbewerb.

WOLTER-Produkte werden in vielen Ländern erfolgreich eingesetzt. Eine gut geplante Vertriebs- und Serviceorganisation garantiert optimale Unterstützung bei Planung, Ausführung und Kundendienst.

Firma WOLTER bemüht sich, mehr als nur Lieferant für alle Kunden zu sein, und versteht sich schon während der Projektierungsphase als kompetenter Partner.

Since 1971 WOLTER has developed and produced fans and ventilation equipment for the world market. This long period of experience has enabled WOLTER to successfully enlarge its range of products by numerous new developments over the past years.

In the heating and ventilation market WOLTER is a well established and renowned name. More and more the company provides special designs and solutions for its clients.

High priority is given to innovative techniques and quality. Worldwide, WOLTER customers rely on the experience and knowledge of the well-trained staff that guarantees a prompt and careful execution of all demands and orders. Computerized production and quality control stand for highest precision in every respect.

Over the years several assembly plants were established in the Far East in addition to the two factories in Germany. Laboratories to test performance, materials, acoustics and speed controlling systems are at the company's disposal.

WOLTER products are manufactured and checked according to the latest developments in technology and the worldwide accepted standards like ISO 9001, DIN 24163. There is a wide range of possibilities to use WOLTER products: heating and ventilation systems, industry, mining, tunnel ventilation, agriculture, navy, offshore business, etc. The permanent improvement of existing products and new developments secure an outstanding position for WOLTER in the global market.

WOLTER products are successfully installed around the world. The company is represented with a well planned sales and service organisation, guaranteeing best support regarding planning, execution and after-sales service.

WOLTER wants to be more than just a supplier, WOLTER will already be a competent partner in the early project phase.

Vertretungen.

Inland

Ing. Günther Rößler
D-07619 Schkölen
Tel. (+49) 03 66 94 / 22 359
Fax (+49) 03 66 94 / 22 357
guenther.roessler@wolterfans.de

Mattias Industrievertretungen
D-16259 Bad Freienwalde
Tel. (+49) 0 33 44 / 30 19 94
Fax (+49) 0 33 44 / 30 19 96
thomas.mattias@wolterfans.de

Industrieservice Drexler
D-49080 Osnabrück
Tel. (+49) 0 541 / 20 04 88 3
Fax (+49) 0 541 / 20 04 88 4
wolfgang.drexler@wolterfans.de

Burkhardt Projekt GmbH
D-67583 Guntersblum
Tel. (+49) 0 62 49 / 82 01
Fax (+49) 0 62 49 / 88 58
info@bp-wolter.de

Friedrich Glock
D-97980 Bad Mergentheim
Tel. (+49) 0 79 31 / 37 44
Fax (+49) 0 79 31 / 28 58
friedrich.glock@wolterfans.de

Europe

Danmark:

Air-Con Danmark A/S
DK-8400 Ebeltoft
Tel. (+45) 0 86 / 34 51 11
Fax (+45) 0 86 / 34 58 10
jbj@air-con.dk

Hungary:

Air-Technik Légtechnikai Kft.
HU-2040 Budaörs
Tel. (+36) 0 23 / 42 85 33
Fax (+36) 0 23 / 42 85 44
bp.air-technik@troges.hu

Ireland:

Finheat Ltd.
IE-Dublin 12, Walkinstown
Tel. (+353) 01 / 45 64 066
Fax (+353) 01 / 45 64 071
sales@finheat.com

Lithuania:

JSC Saldos Prekyba
LT-78109 Siauliai
Tel. (+37) 0 41 / 54 02 12
Fax (+37) 0 41 / 59 61 76
prekyba@salda.lt

Netherlands:

AirFan B. V.
NL-7442 CX Nijverdal
Tel. (+31) 05 48 / 36 63 66
Fax (+31) 05 48 / 36 53 20
ventilatie@airfan.nl

Rucon B. V. Ventilatoren
NL-3840 AG Harderwijk
Tel. (+31) 03 41 / 41 16 70
Fax (+31) 03 41 / 41 16 90
verkoop@rucon.nl

Österreich:

Wolter Werksvertretung Österreich
A-4040 Linz
Tel. (+43) 07 32 / 75 77 07
Fax (+43) 07 32 / 75 77 07 75
wolter.linz@aon.at

Poland:

Wentoprodukt
44-100 Gliwice
Tel. (+48) 32 331-34-24
Fax (+48) 32 729-76-53
biuro@wentoprodukt.pl

Portugal:

Safe Park Ventilação Industrial Lda.
P-2675-240 Odivelas
Tel. (+351) 21 93 / 75 265
Fax (+351) 21 93 / 86 061
safepark@netcabo.pt

Russia:

Euroclimat-Prof
RU-107082 Moskau
Tel. (+7) 4 95 / 97 57 530
Fax (+7) 4 95 / 97 57 530
gso@euroclimat.ru

Schweiz:

Anson AG Zürich
CH-8055 Zürich
Tel. (+41) 0 44 / 46 11 111
Fax (+41) 0 44 / 46 13 111
info@anson.ch

Ventra Technik AG
CH-8599 Salsmarch
Tel. (+41) 0 71 / 46 11 447
Fax (+41) 0 71 / 46 11 448
ventra@bluewin.ch

Türkey:

Air Trade Centre Ltd Sti Türkiye,
TR-34418 Seyrantepe / Istanbul
Tel. (+90) 02 12 / 28 34 510
Fax (+90) 02 12 / 27 83 964
atc.turkey@airtradecentre.com

United Kingdom:

Wolter UK Ltd.
GB-B37 7UQ Solihull
Tel. (+44) 01 21 / 63 55 390
Fax (+44) 01 21 / 63 55 391
info@wolteruk.com

Middle East and North Africa

Egypt:

Tiba Engineering Industries Co.
Nasr City, Cairo
Tel. (+2) 02 / 40 22 866
Fax (+2) 02 / 40 44 771
tibaengineering@manz-group.com

Israel:

Lea Ventilation Industries Ltd.
IL-27113 Kiriyat-Bialik, Israel
Tel. (+972) 0 48 / 76 23 57
Fax (+972) 0 48 / 76 20 51
mail@lea.co.il

United Arab Emirates, Kuwait, Lebanon:

Wolter Ventilation LLC
Energy International
P.O. Box 3562 Sharjah, UAE
Tel. (+971) 06 / 53 43 477
Fax (+971) 06 / 53 43 756
energys@emirates.net.ae

Asia

China Mainland:

Taizhou Wolter Ventilation Co. Ltd.
Hengjie, Luqiao District
Taizhou City, Zhejiang
Tel. (+86) 576 / 26 22 666 (26 52 888)
Fax (+86) 576 / 26 56 830

Hongkong:

Wolter Asia Ltd.
Hong Kong
Tel. (+852) 0 24 / 56 01 98
Fax (+852) 0 24 / 56 02 90
info@wolter.com.hk

Indonesia:

Pt. Sinarbaskara Triutama
ID-10440 Jakarta Indonesia
Tel. (+62) 0 21 / 31 00 191
Fax (+62) 0 21 / 39 12 693
sinarbaskara@cbn.net.id

Korea:

Kaceco-Wolter
445-922 Hwa Sung-shi, Kyonggi-do
Tel. (+82) 31 / 350 3000
Fax (+82) 31 / 350 3030
wolter@kaceco.com / info@kaceco.com

Singapore:

Wolter Pte. Ltd.
SG-569738 Singapore
Tel. (+65) 0 63 / 52 95 48
Fax (+65) 0 63 / 52 95 47
info@wolterfans.com.sg

Malaysia:

Vibrant Marketing(M) Sdn Bhd.
Tel. (+603) 78 47 35 00
Fax (+603) 78 47 33 80
vibrant@time.net.my

Taiwan:

Waxlink International Co., Ltd.
8F No. 218 Roosevelt Rd., Sec. 6
Taipei, Taiwan
Tel. (+886) 02 / 89 32 11 96
Fax (+886) 02 / 89 32 11 97
waxlink.tech@msa.hinet.net

Thailand:

Wolter (Thailand) Ltd.
TH-74130 Samutsakorn
Tel. (+662) 8 10 / 20 00
Fax (+662) 8 10 / 22 99
tngroup@tnmetalworks.com

Wolter GmbH
Maschinen- und Apparatebau
KG

Am Wasen 11
D-76316 Malsch

Tel. (+49) 0 72 04 / 92 01 -0
Fax (+49) 0 72 04 / 92 01 -11

