



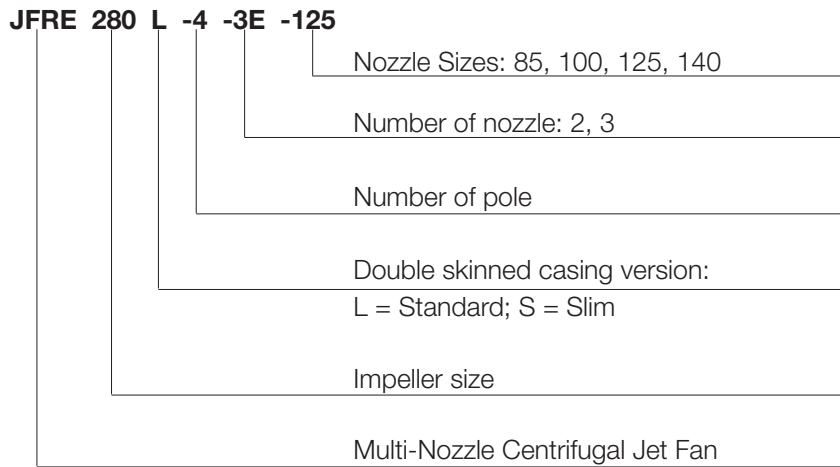
Wolter Multi-Nozzle Centrifugal Jet Fans

- Ventilation and smoke control for car parks

G03-C

wolter 

Fan type code



Advantages of Wolter's Special design capability:

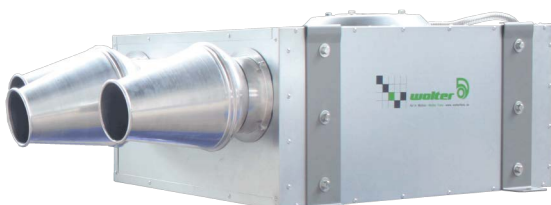
- › Nozzles can be bent to meet required air flow pattern and to minimize dead zone
- › Air discharge nozzle with various diameter can balance the air flow and to suit the site situation for effective air distribution
- › Fans can be positioned on parallel or in serial position to give a wider area coverage requirement
- › Fans with air inlet on the side (as in-line L type) or bottom (as slim S type)

Special Features such as:

- › Applicable various temperatures
 - For normal ventilation using rotor motor with 100% speed controllable
 - For smoke extraction with induction motor (300°C/1 hour or 300°C/2 hours)
 - For CO-operation stepless speed controllable with external frequency inverter
- › Double or multiple choice of nozzle
- › Attachment with flexibility for nozzle direction
- › Slim type fan allows for lower ceiling height and wide discharge
- › Comes with hanging bracket for easy installation (plug or play)
- › Free from maintenance

Able to CUSTOM design:

- › For entrances and driveways of underground car parks
- › For garages with massive and closely placed support crossbars
- › For smoke extraction of low and badly accessible areas
- › Combination as a mix with our Axial-Smoke-Extract Jet fan for better performance





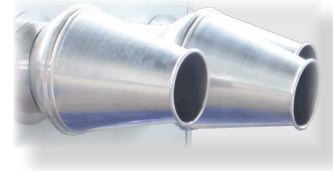
JFRE-L Series



JFRE-S Series

Design specification:

- › Fan impeller of centrifugal type to match site requirement for low noise and high efficiency.
- › All impeller with galvanized sheet steel and press-fitted directly onto the rotor of external rotor motor
- › Minimum thermal and mechanical stress in the bearing (min. L10 is 40.000 hours) Electrical design - Class F, IP54.
- › Terminal Box with fuse as standard, Indicating light, Speed controller and regulator, CO, Smoke or temperature detector, as optional.
- › Nozzle at outlet is made of aluminum with 24 degree blow angle for low noise and wide discharge and constant impulse to achieve optimum air distribution profile and performance. The 85, 100, 125, 140 mm diameter multiple nozzles are precision aluminum spinning to give effective thrust.
- › Fan casing can be of single unit galvanize sheet type or composed of panel type using with extruded aluminum profile with inlet protective guard attached. All single unit type or panels casing come with 20mm glass wool effective for heat transmission co-efficient and sound attenuation. Special powder coating on request (RAL colors).
- › Depending on the model required, material thickness of scroll and panel must be at least 1.0mm thickness.



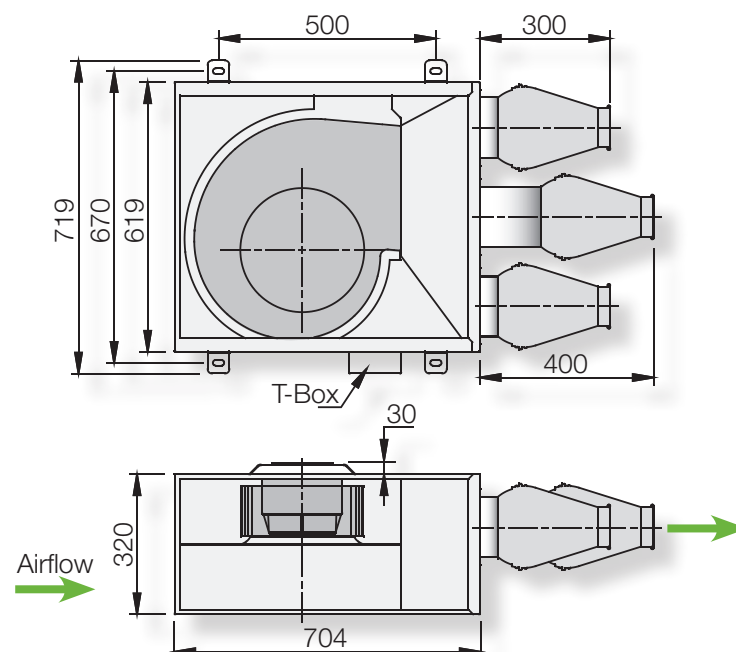
Technical Data:

Power supply: 230V/1Ph/50Hz

Model Name	Fan Volume [m ³ /s]	Fan Speed [1/min]	Rated Current [A]	Motor Power [kW]	Max. Outlet Velocity [m/s]	Sound Pressure Level at 2m [dB(A)]	Nozzle Nos x Dia. [mm]	Throw Length at 0.5 m/s [m]	Weight [kg]
JFRE 280L-4-3E	0.48	1330	4.1	0.9	28.4	58 ~ 60	3 x 85	40	39.7
	0.53	1330	4.1	0.9	26.6	58 ~ 60	3 x 100	37	39.7
	0.69	1360	7.3	1.6	22.0	62 ~ 64	3 x 125	31	45.0
	0.77	1360	7.3	1.6	20.5	66 ~ 68	3 x 140	29	45.0
JFRE 280L-4-2E	0.39	1330	4.1	0.9	29.8	55 ~ 57	2 x 100	42	39.2
	0.53	1330	4.1	0.9	25.2	60 ~ 62	2 x 125	35	39.2
	0.61	1360	7.3	1.6	24.0	62 ~ 64	2 x 140	34	44.5
JFRE 280L-6-3E	0.32	900	1.6	0.32	18.2	46 ~ 48	3 x 85	25	39.7
	0.35	900	1.6	0.32	17.0	47 ~ 49	3 x 100	24	39.7
	0.42	900	2.2	0.45	13.7	52 ~ 54	3 x 125	19	45.0
	0.49	900	2.2	0.45	12.2	55 ~ 57	3 x 140	17	45.0
JFRE 280L-6-2E	0.25	900	1.6	0.32	18.7	45 ~ 47	2 x 100	26	39.2
	0.36	900	1.6	0.32	17.0	49 ~ 51	2 x 125	24	39.2
	0.40	900	2.2	0.45	15.8	51 ~ 53	2 x 140	22	44.5

Dimension:

JFRE 280L



* We reserve the right to alter measurements without notice in case of technical improvements.



JFRE-L Series



JFRE-S Series

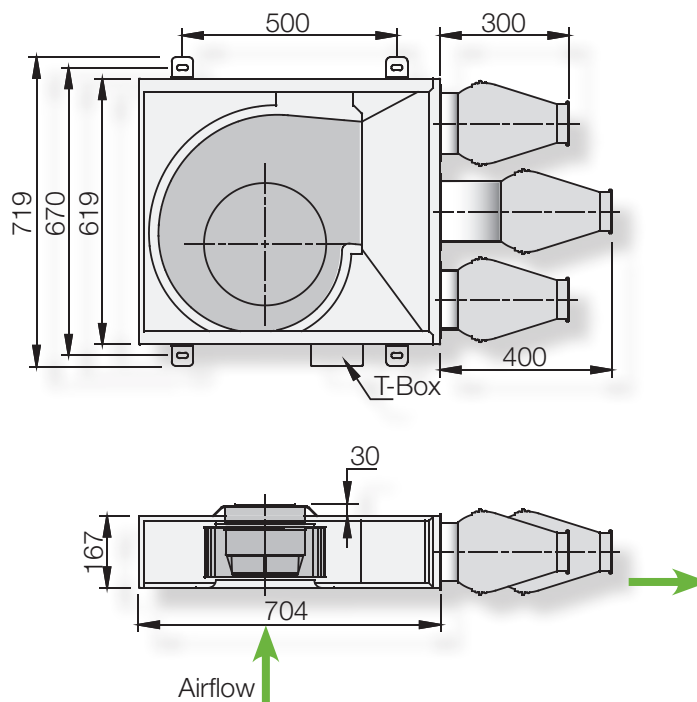
Technical Data:

Power supply: 230V/1Ph/50Hz

Model Name	Fan Volume [m ³ /s]	Fan Speed [1/min]	Rated Current [A]	Motor Power [kW]	Max. Outlet Velocity [m/s]	Sound Pressure Level at 2m [dB(A)]	Nozzle Nos x Dia. [mm]	Throw Length at 0.5 m/s [m]	Weight [kg]
JFRE 280S-4-3E	0.51	1360	7.3	1.6	29.5	62 ~ 64	3 x 85	42	36.7
	0.57	1360	7.3	1.6	26.3	64 ~ 66	3 x 100	38	36.7
	0.76	1360	7.3	1.6	21.8	69 ~ 71	3 x 125	31	42.0
	0.85	1360	7.3	1.6	23.8	69 ~ 71	3 x 140	34	42.0
JFRE 280S-4-2E	0.40	1330	4.1	0.9	29.3	55 ~ 57	2 x 100	42	36.2
	0.57	1360	7.3	1.6	25.3	61 ~ 63	2 x 125	36	41.5
	0.67	1360	7.3	1.6	23.3	63 ~ 65	2 x 140	33	41.5
JFRE 280S-6-3E	0.33	900	2.2	0.45	18.2	51 ~ 53	3 x 85	26	42.0
	0.37	900	2.2	0.45	17.8	53 ~ 55	3 x 100	26	42.0
	0.49	900	2.2	0.45	15.7	57 ~ 59	3 x 125	22	42.0
	0.55	900	2.2	0.45	14.6	58 ~ 60	3 x 140	21	42.0
JFRE 280S-6-2E	0.26	900	1.6	0.32	18.6	45 ~ 47	2 x 100	27	36.2
	0.37	900	2.2	0.45	16.0	51 ~ 53	2 x 125	23	41.5
	0.42	900	2.2	0.45	14.4	52 ~ 54	2 x 140	21	41.5

Dimension:

JFRE 280S



* We reserve the right to alter measurements without notice in case of technical improvements.

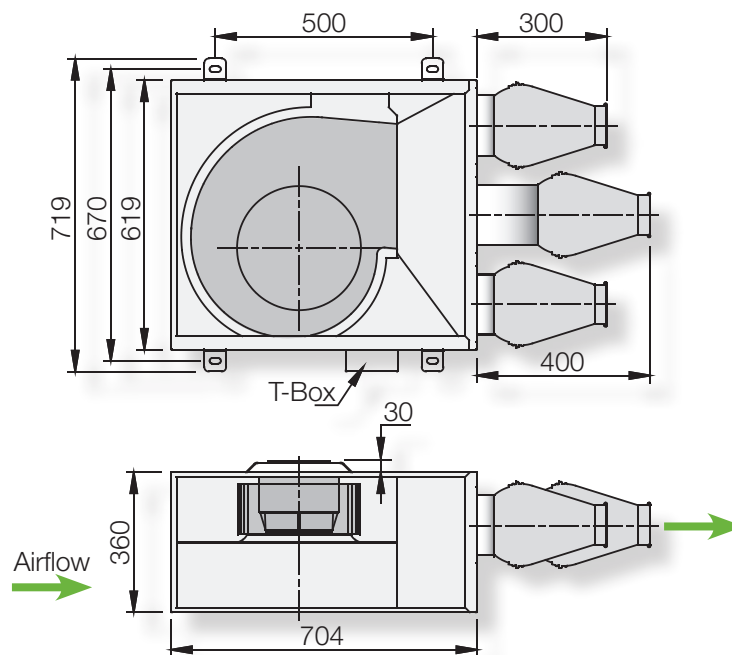
Technical Data:

Power supply: 230V/1Ph/50Hz

Model Name	Fan Volume [m ³ /s]	Fan Speed [1/min]	Rated Current [A]	Motor Power [kW]	Max. Outlet Velocity [m/s]	Sound Pressure Level at 2m [dB(A)]	Nozzle Nos x Dia. [mm]	Throw Length at 0.5 m/s [m]	Weight [kg]
JFRE 315L-6-3E	0.48	927	3.6	0.72	24.3	50 ~ 52	3 x 100	34	46.0
	0.58	927	3.6	0.72	18.7	53 ~ 55	3 x 125	26	46.0
	0.64	927	3.6	0.72	16.5	56 ~ 58	3 x 140	23	46.0
JFRE 315L-6-2E	0.47	927	3.6	0.72	22.8	51 ~ 53	2 x 125	32	45.5
	0.54	927	3.6	0.72	20.9	53 ~ 55	2 x 140	29	45.5

Dimension:

JFRE 315L



* We reserve the right to alter measurements without notice in case of technical improvements.



JFRE-L Series



JFRE-S Series

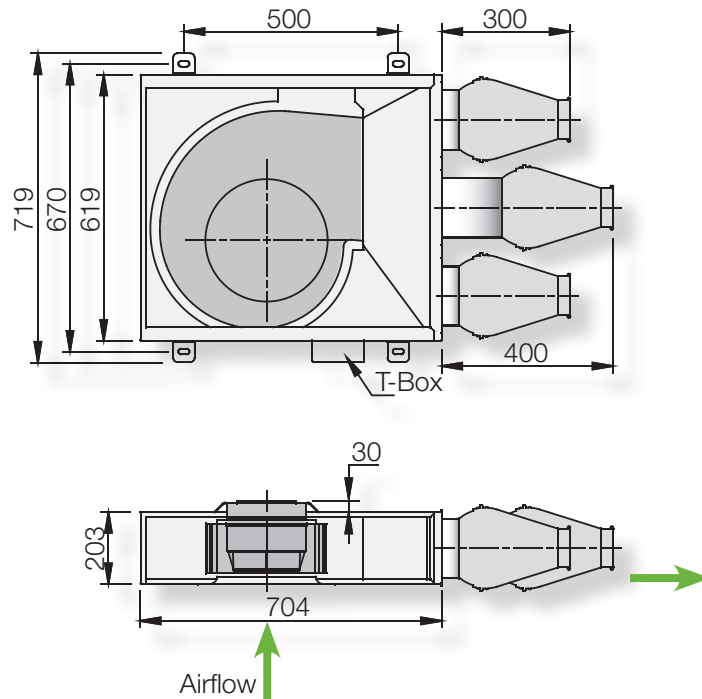
Technical Data:

Power supply: 230V/1Ph/50Hz

Model Name	Fan Volume [m ³ /s]	Fan Speed [1/min]	Rated Current [A]	Motor Power [kW]	Max. Outlet Velocity [m/s]	Sound Pressure Level at 2m [dB(A)]	Nozzle Nos x Dia. [mm]	Throw Length at 0.5 m/s [m]	Weight [kg]
JFRE 315S-6-3E	0.50	927	3.6	0.72	25.2	55 ~ 57	3 x 100	35	43.0
	0.65	927	3.6	0.72	21.1	58 ~ 60	3 x 125	30	43.0
	0.74	927	3.6	0.72	19.2	61 ~ 63	3 x 140	27	43.0
JFRE 315S-6-2E	0.46	927	3.6	0.72	19.7	52 ~ 54	2 x 125	28	42.5
	0.53	927	3.6	0.72	18.1	55 ~ 57	2 x 140	25	42.5

Dimension:

JFRE 315S



* We reserve the right to alter measurements without notice in case of technical improvements.

Wolter Sales Network

Inland

Ing. Günther Rößler
D-07619 Schkölen
Tel. (+49) 03 66 94 / 22 359
Fax (+49) 03 66 94 / 22 357
guenther.roessler@wolterfans.de

Mattias Industrievertretungen
D-16259 Bad Freienwalde
Tel. (+49)03344/301994
Fax (+49)03344/301996
thomas.mattias@wolterfans.de

Industrieservice Drexler
D-49080 Osnabrück
Tel. (+49) 0 541 / 20 04 88 3
Fax (+49) 0 541 / 20 04 88 4
wolfgang.drexler@wolterfans.de

Burkhardt Projekt GmbH
D-67583 Guntersblum
Tel. (+49) 0 62 49 / 82 01
Fax (+49) 0 62 49 / 88 58
info@bp-wolter.de

Friedrich Glock
D-97980 Bad Mergentheim
Tel. (+49) 0 79 31 / 37 44
Fax (+49) 0 79 31 / 28 58
friedrich.glock@wolterfans.de

Europe

Danmark:
Aircon Teknik A/S
DK-8200 Aarhus N
Tel. +45 (0) 86 / 34 51 11
Fax +45 (0) 86 / 34 58 10
post@airconteknik.dk

The Netherlands:
AirFan B. V.
NL-7442 CX Nijverdal
Tel. (+31)054/8366366
Fax (+31)054/8365320
ventilatie@airfan.nl

Poland:
Wentoprodukt
44-100 Gliwice
Tel. (+48)32 33 13 424
Fax (+48)32 72 97 653 75
biuro@wentoprodukt.pl

Russia:
Daichi Co. Ltd
RU-123022 Moscow
Tel. +7 (0) 495 / 73 73 733
Fax +7 (0) 495 / 73 73 732
info@daichi.ru

Switzerland:
Anson AG Zürich
CH-8055 Zürich
Tel. (+41) 0 44 / 46 11 111
Fax (+41) 0 44 / 46 13 111
info@anson.ch

Ventra Technik AG
CH-8599 Salmsach
Tel. (+41) 0 71 / 46 11 447
Fax (+41) 0 71 / 46 11 448
ventra@bluewin.ch

Turkey:
Air Trade Centre Ltd Sti Türkiye,
TR-34418 Seyrantepe / Istanbul
Tel. (+90) 02 12 / 28 34 510
Fax (+90) 02 12 / 27 83 964
atc.turkey@airtradecentre.com

United Kingdom:
Wolter (UK) Ltd.
GB-Leicestershire LE65 1AL
Tel. (+44) 01530 / 412 473
info@wolteruk.com

Middle East and North Africa

Israel:
Pach Taas (Ashkelon) Ltd.
IL-78100 Ashkelon
Tel. (+972) 0 8 / 67 19 770
Fax (+972) 0 8 / 67 19 771
info@pachtaas.com

UAE, Qatar, Lebanon, Jordan,
Saudi Arabia:

Energy International Co.
UAE-Sharjah, P.O. Box 3562
Tel. (+971) 06 / 53 43 477
Fax (+971) 06 / 53 43 756
fsalibi@energysysh.ae

Energy International Co.
P.O. Box 45217 Abu Dhabi, UAE
Tel. (+971) 2 67 11 10 8
Fax (+971) 2 67 69 669
amohsen@energyintl.ae

Energy International Co.(Dubai-Sharjah)
P.O. Box 3562 Sharjah, UAE
Tel. (+971) 65 34 34 77
Fax (+971) 65 34 37 56
fsalibi@energysysh.ae

Energy International Corporation
Malaz Area, Siteen Highway Beside BANK
ALBILAD Riyadh, Saudi Arabia
Tel. (+966) 14 15 39 59
msheet@energyintl.com

Energy International Corporation
P.O. Box 37364 Doha, Qatar
Tel. (+974) 45 80 765
Fax (+974) 45 81 126
aassi@energyintl.com

Energy International
234 Balbesi Blg 2nd floor Al-Madinah,
Al Munawarah St Amman, Jordan
Tel. (+962) 65 67 19 15
Fax (+962) 65 67 19 16
eabuzahra@energyintl.com

Energy International & Engineering
Mar Roukoz Center-Block B - First Floor,
Hazmieh, Lebanon
Tel. (+961) 54 50 61 0
Fax (+961) 54 51 16 9
bsaab@energyintl.com

Asia

China Mainland:
Dongguan Wolter Chemco Ventilation Ltd.
Chemco Building, Miao Bian Wang Ind.
Shipai, Dongguan City, Guangdong
Tel. (+86) 0 769 / 8655 7298
Fax (+86) 0 769 / 8655 7278
info@wolterfans.com

Taizhou Wolter Ventilation Co. Ltd.
Hengjie, Luqiao District
Taizhou City, Zhejiang
Tel. (+86) 0 576 / 26 22 666 (26 52 888)
Fax (+86) 0 576 / 26 56 830

Hongkong:
Wolter Asia Ltd.
Hong Kong
Tel. (+852) 0 2456 0198
Fax (+852) 0 2456 0290
info@wolter.com.hk

India:
Wolter Ventilators India Pvt. Ltd.
867 D, Block-A, Sushant Lok, Phase-I,
Gurgaon - 122009 (Haryana)
Tel. +91 124 2577797, 4261001-3
sales@wolterindia.in

Indonesia:
PT Lung Makmur Abadi.
Kawasan Pergudangan Taman Tekno Blok
M/16, Serpong-Tangerang 15310
Tel. +62 (0) 21 / 7588 2609 ext 104
Fax +62 (0) 21 / 7588 2610
lma.wolter@gmail.com

Korea:
Kaceco-Wolter
14-1, Dang-dong, Gunpo-shi, Gyeonggi-do
Tel. +82 (0) 31 / 4773 104
Fax +82 (0) 31 / 4773 132
wolter@kaceco.com / info@kaceco.com

Malaysia:
Vibrantech (M) Sdn Bhd.
47200 Petaling Jaya Selangor, Malaysia
Tel. +603 (0) 7847 3500
Fax +603 (0) 7847 3380
sales@vibrantech-sb.com

Singapore:
Wolter Pte. Ltd.
SG-569738 Singapore
Tel. (+65) 0 63 / 52 95 48
Fax (+65) 0 63 / 52 95 47
info@wolterfans.com.sg

Sri Lanka:
Sirocco Air Technologies (Pvt) Ltd.
28/12, Gemunu Mawatha, Kotuwegoda,
Rajagiriya, Sri Lanka
Tel. +94 11 7 392 010
Fax +94 11 7 392 015
suren@sairt.com

Taiwan:
Waxlink International Co., Ltd.
8F-2 No.218 Roosevelt Rd., Sec.6
Taipei, Taiwan
Tel. (+886) 02 / 8932 1196
Fax (+886) 02 / 8932 1197
waxlink@mail.waxlinktw.com

Thailand:
Wolter Ventilation Co., Ltd.
Thamai Kratumban Samutsakorn 74110
Thailand
Tel. +66 (0) 3486 6555
Fax +66 (0) 3486 6599
natiphan@wolterfan.com

Australia

The Sydney Fan Company.
NSW 2147, Sydney, Australia
Tel. +61 (0) 2 / 9624 4000
Fax +61 (0) 2 / 9624 4100
sales@thesydneyfancompany.com

Wolter GmbH Maschinen-und Apparatebau KG

Am Wasen 11
D-76316 Malsch / Germany
Tel. +49 (0) 7204/9201-0
Fax +49 (0) 7204/9201-11
www.wolter.eu
info@wolter.eu

