

GRITSEP DS Grit Classifier



THE BEST SELLING GRIT CLASSIFIER

The GRITSEP DS Grit Classifier consists of an inclined screw conveyor with a large volume decanting hopper for sedimentation including a water inlet and outlet spout, a shaftless screw housed in a trough, a low-friction anti-wear trough liner, a trough cover, an outlet spout for solid particles, and a drive unit mounted at the outlet end.

Water to be cleaned flows through the inlet spout of the Classifier into the decanting hopper where sedimentation of the solid particles takes place.

Low screw rotation speed improves sedimentation and sees to conveying and discharging of de-watered grit and sand through the upper outlet. Clean water exits through the side discharge spout of the hopper.

Technical Features

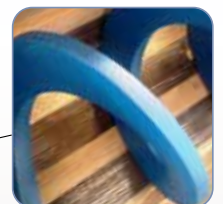
- Fully welded hopper manufactured from stainless steel (304 L or 316 L)
- Heavy/duty shaftless screw in wear-resistant carbon steel or 304 L/316 L stainless steel
- Trough manufactured from stainless steel lined with stainless steel or metal/plastic bolted wear bars
- Liquid throughput: from 18 up to 130 m³/h
- Solids throughput: from 0.22 up to 1.3 m³/h
- ATEX GAS II electric motors available
- IE3 efficiency electric motor for size DS 4000



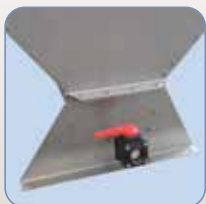
Flow Slowing Device



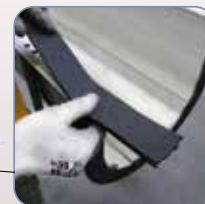
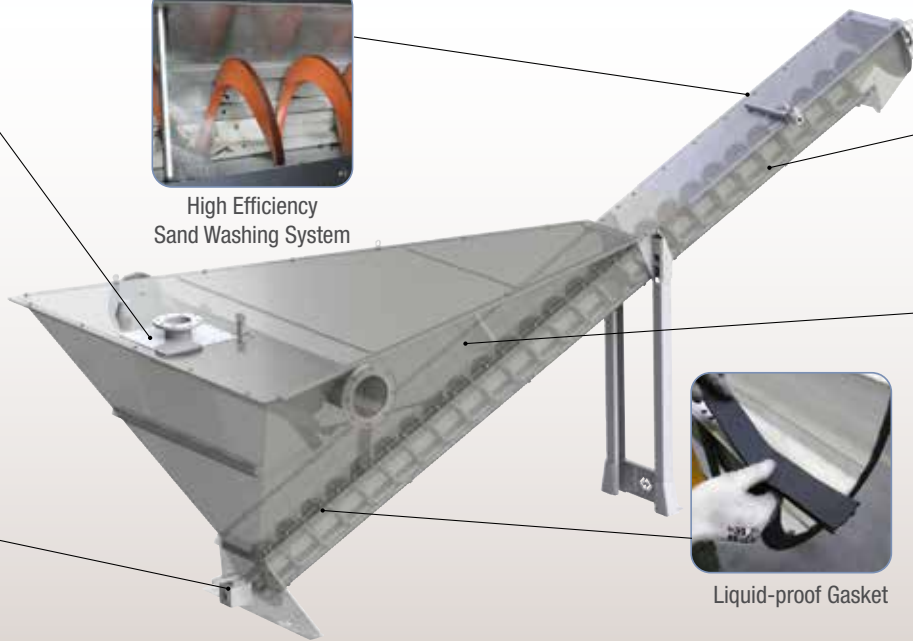
High Efficiency Sand Washing System



Metal/Plastic bolted wear bars (OPTION)



Emptying Valve



Liquid-proof Gasket

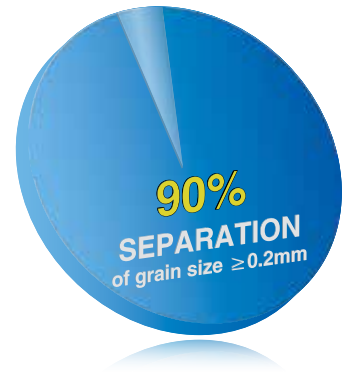


Air Injection Nozzle

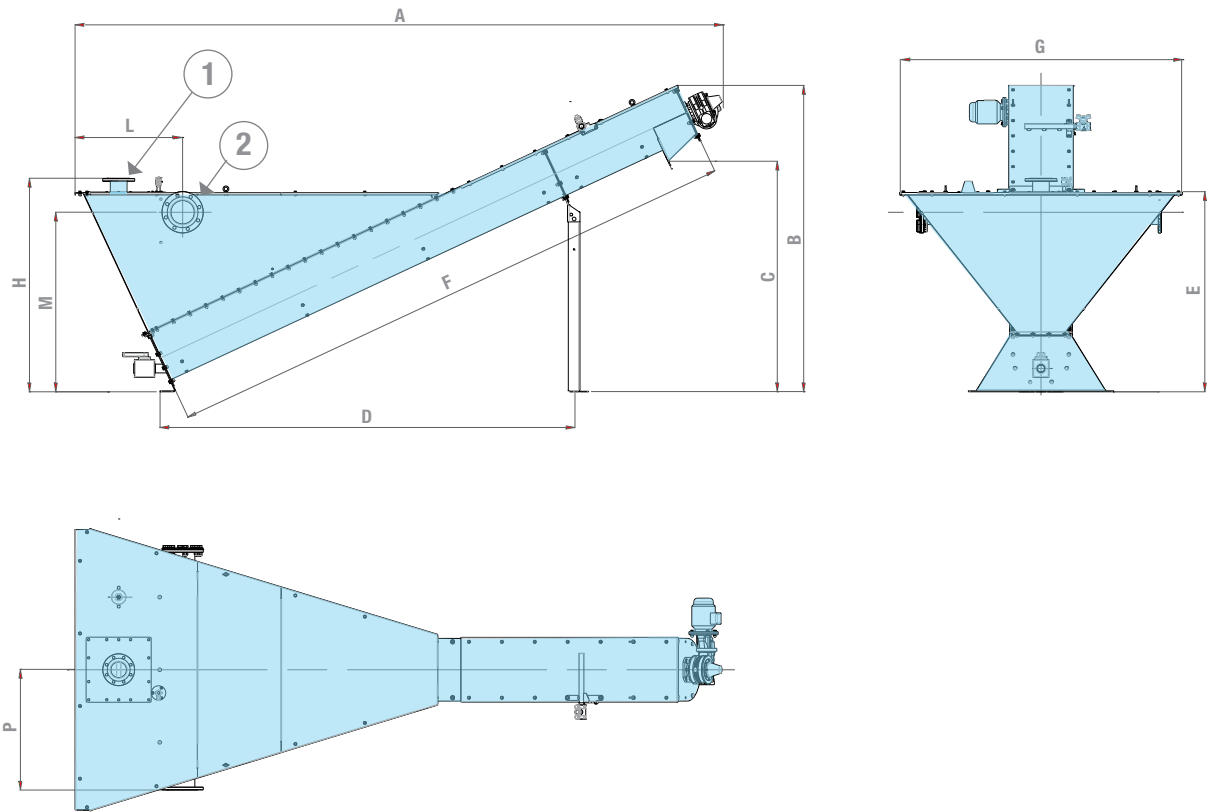
MODEL	Flow Rate (m ³ /h)	Installed Power kW	Hopper Capacity (l)	Average Sand Extraction (dm ³ /s)
DS 400	18	0.55	450	0.06
DS 1000	36	0.55	1,000	0.08
DS 1500	58	0.55	1,500	0.08
DS 2000	80	0.55	1,950	0.08
DS 3400	100	0.55	2,940	0.08
DS 4000	130	1.50	3,900	0.36

Benefits

- ✓ High separation performance
- ✓ Trough liner design facilitates quick and easy replacement
- ✓ Low installation, operation and maintenance costs
- ✓ Absence of bearings beneath liquid level
- ✓ Zero-leakage design
- ✓ Small footprint



Overall Dimensions



MODEL	A	B	C	D	E	F	G	H	L	M	P	Flange ① UNI	Flange ② UNI
DS 400*	3,710	2,020	1,450	1,995	1,390	3,365	1,215	1,490	490	1,270	650	DN80PN10	DN100PN10
DS 1000	4,490	2,170	1,460	2,330	1,290	4,000	1,830	1,400	770	1,100	685	DN100PN10	DN150PN10
DS 1500	4,983	2,320	1,770	2,672	1,530	4,500	2,155	1,620	740	1,369	980	DN125PN10	DN200PN10
DS 2000	5,480	2,580	1,850	3,215	1,650	5,000	2,396	1,805	765	1,400	980	DN125PN10	DN200PN10
DS 3400	6,485	3,015	2,320	3,180	2,038	6,015	2,410	2,190	790	1,844	1,090	DN200PN10	DN250PN10
DS 4000	6,590	3,090	2,370	3,960	2,180	7,015	2,510	2,330	865	1,985	1,140	DN350PN10	2x DN250PN10

* Tubular conveying section

For reference only; for detailed drawings please contact the Manufacturer

Dimensions in mm

Accessories

- Endless Tube for Solids Disposal
- Solenoid Valves
- Bag Clamping System
- FIBC Filling System

Application



203001339 April 2019 Rights reserved to modify technical specifications.

This brochure has been edited for distribution in European Union countries



SAVECOTM
A WAMGROUP® Brand



www.saveco-water.com