

WAMAIR® Vacuum

FPN / FPNX

Insertable Polygonal Dust Collectors for Negative Pressure Applications



EC 1935/2004
certified version available



ATEX version available

**WAMAIR® Vacuum
FPN / FPNX**
Insertable Polygonal Dust Collectors
for Negative Pressure Applications

SAFE AND COMPACT DE-DUSTING IN NEGATIVE PRESSURE CONDITIONS

WAMAIR® Vacuum FPN / FPNX are specially designed for the requirements of applications in negative pressure conditions. They are suitable for virtually all industries. Thanks to their hygienic design and food-grade filter elements, they comply with the EC 1935/2004 directive, making them suitable for a wide range of food processing applications (wheat, beans, sugar, rice, coffee, cocoa, diet foods, chilli peppers, etc.).

WAMAIR® Vacuum uses pocket filter elements to separate dust particles that are held in suspension by an air stream. The dust-laden air flow passes through the filter medium, which retains the dust particles and allows the clean air to penetrate.

WAMAIR® Vacuum is designed for pneumatic conveying systems in a negative pressure range of up to -0.6 bar to protect the vacuum pump. However, it can also be used for silo venting.

Provided with special filter elements and accurate surface finishing (no sharp edges), WAMAIR® Vacuum Dust Collectors ensure comfortable access for maintenance.



Standard Door Gasket

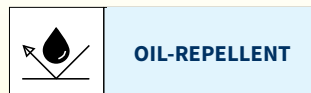


Food-grade Door Gasket

Filter Elements & Filter Media

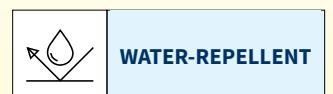
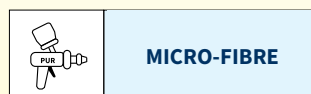
Pockets

Flat Needle-Felt Elements



Sizes available:

- L = 500 mm
- L = 750 mm
- L = 1,000 mm
- L = 1,250 mm
- L = 1,500 mm



Technical Features

DIMENSIONAL

- Air volume: 150 ~ 4,000 Nm³/h (88 ~ 2,350 cfm)
- Filtering surface: 3 ~ 36 m² (32 ~ 387 sq ft)
- Temperature range: -20 ~ 80 °C (-4 ~ 176 °F)
- Optional horizontal or vertical installation
- Mild-steel or stainless-steel casing

MAINTENANCE

- Inspection door with captive fastening knobs for easy and safe access for filter element replacement

APPLICATIONS

- Suitable for both negative pressure down to -6,000 mm H₂O (-0.6 bar) and positive pressure (up to 500 mm H₂O)
- EC 1935/2004 certification available
- ATEX-versions available (Pred = 1 barg)

CLEANING SYSTEM

- High-efficiency programmable compressed air cleaning system
- "Full Immersion" solenoid valves, integrated into air tank to minimise flow resistance

Options and Accessories

ATEX Certification

Available for:

- Zone 22 (Category 3D)

ATEX versions suitable for internal zone 20 application

Food-Grade Certification



EC 1935/2004-certified

(food-grade materials)

- EU 10/2011

(food-grade plastic materials);

- EC 2023/2006

(GMP regulations).

Door Gasket

- Easy maintenance
- Completely removable
- Optimised sealing properties



Standard version



Food-grade version



Wide Range of Filter Media



Electronic Control Panel

- Differential pressure meter
- Connectivity with Modbus RS485
- WiFi or GPRS module

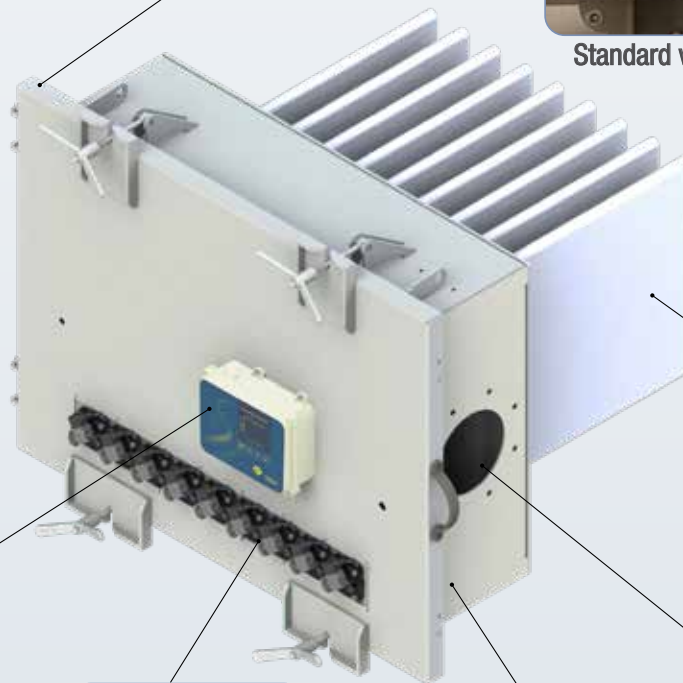


Winter Protection

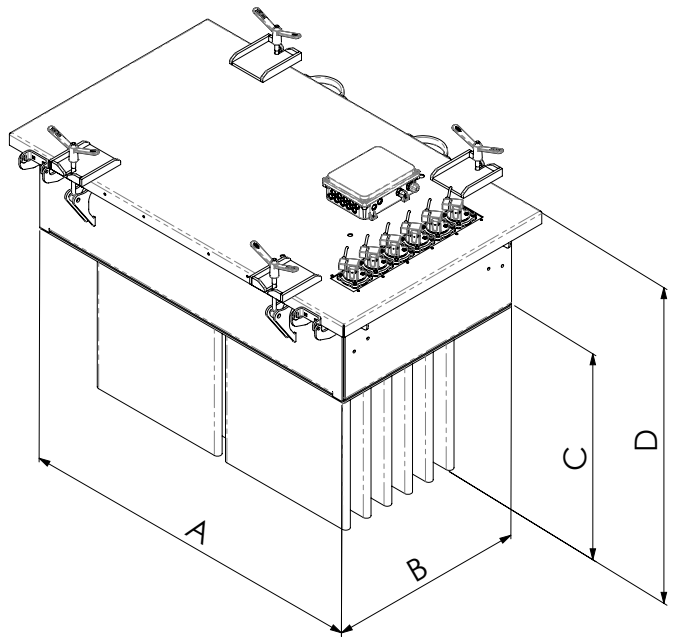
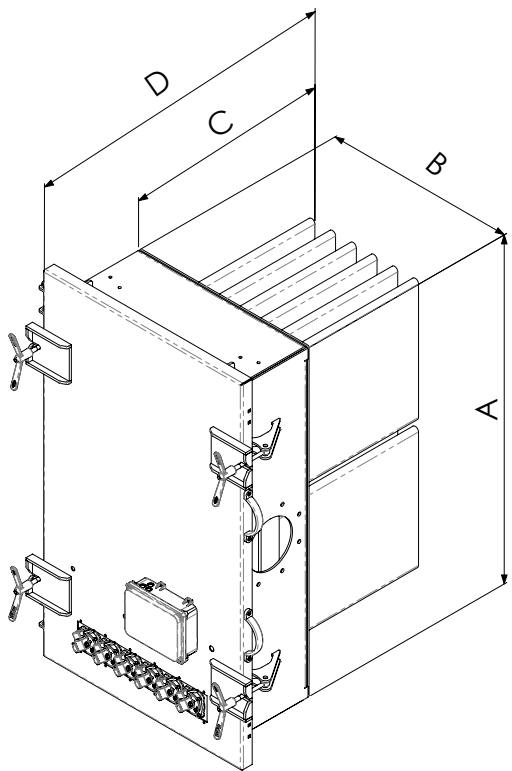
Air Exhaust Outlet

In 12 or 3 o'clock position

Mild Steel or Stainless-steel Door and Housing



Overall Dimensions



TYPE AND VOLUME INDEX		Surface (m ²)	Filter elements	Number of lines	A (mm)	B (mm)	C (mm)	D (mm)	Weight (kg)
570 x 570	FPN(X)_T1	03	6	1	680	650	500	820	115
	FPN(X)_T2	05	6	1	680	650	750	1,070	120
	FPN(X)_T3	06	6	1	680	650	1,000	1,320	125
	FPN(X)_T4	08	6	1	680	650	1,250	1,570	130
	FPN(X)_T5	09	6	1	680	650	1,500	1,820	135
845 x 570	FPN(X)_T6	05	9	1	680	925	500	820	140
	FPN(X)_T7	07	9	1	680	925	750	1,070	145
	FPN(X)_T8	09	9	1	680	925	1,000	1,320	150
	FPN(X)_T9	12	9	1	680	925	1,250	1,570	160
	FPN(X)_TA	14	9	1	680	925	1,500	1,820	165
570 x 1065	FPN(X)_TB	06	12	2	1,180	655	500	820	185
	FPN(X)_TC	09	12	2	1,180	655	750	1,070	195
	FPN(X)_TD	12	12	2	1,180	655	1,000	1,320	200
	FPN(X)_TE	15	12	2	1,180	655	1,250	1,570	215
	FPN(X)_TF	18	12	2	1,180	655	1,500	1,820	225
1065 x 570	FPN(X)_TV	06	12	1	685	1,150	500	820	185
	FPN(X)_TH	09	12	1	685	1,150	750	1,070	195
	FPN(X)_TW	12	12	1	685	1,150	1,000	1,320	200
	FPN(X)_TJ	15	12	1	685	1,150	1,250	1,570	210
	FPN(X)_TK	18	12	1	685	1,150	1,500	1,820	215
1065 x 1065	FPN(X)_TP	12	24	2	1,180	1,150	500	820	270
	FPN(X)_TQ	18	24	2	1,180	1,150	750	1,070	290
	FPN(X)_TR	24	24	2	1,180	1,150	1,000	1,320	300
	FPN(X)_TS	30	24	2	1,180	1,150	1,250	1,570	330
	FPN(X)_TT	36	24	2	1,180	1,150	1,500	1,820	345

→ **H** - Horizontal, **V** - Vertical, **XH** - ATEX Horizontal, **XV** - ATEX Vertical

Benefits



HYGIENIC HOUSING DESIGN

Easy and quick access for cleaning



CAPTIVE LOCKING SYSTEM

Filter element replacement within a few minutes by one person only



STURDY, COMPACT HOUSING

Versatile configurations



EASY MAINTENANCE

Minimised plant downtime thanks to quick and easy maintenance



LOW EMISSION LEVEL

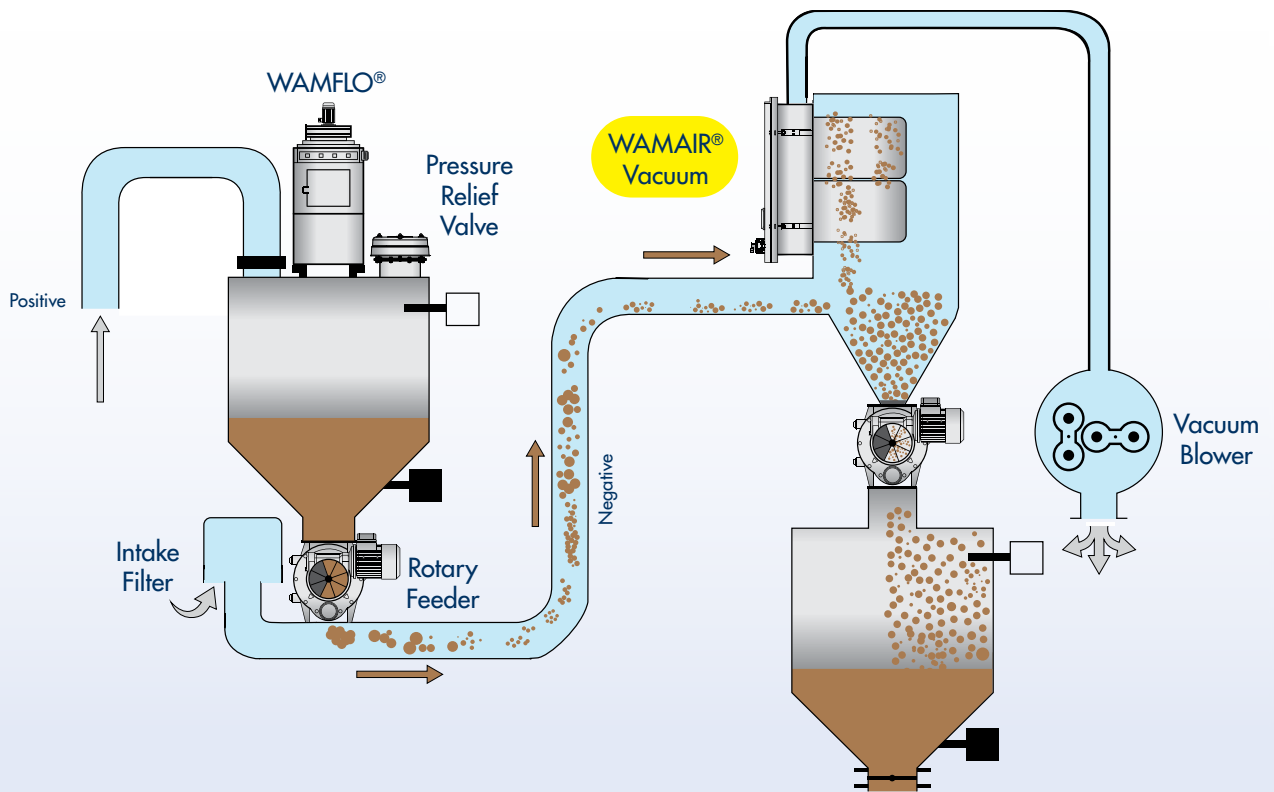
WAM® filter elements and media (BIA/IFA-certified)



WORLDWIDE SUPPORT

Technical support and worldwide availability of spare parts thanks to the WAMGROUP® subsidiary network

Dilute Pneumatic Vacuum Conveying System



Selection of Industries



Flour Milling



Canned Food Processing



Sugar Processing



Coffee Processing



Rice Milling



Diet Foods Processing



Cocoa Processing



Chili Pepper Processing

Application



202001763 April 2021 Rights reserved to modify technical specifications.



This brochure has been edited for distribution in European Union countries.



www.wamgroup.com