

WETDUST™

Conditioners for Industrial Dusts

quick return
on investment

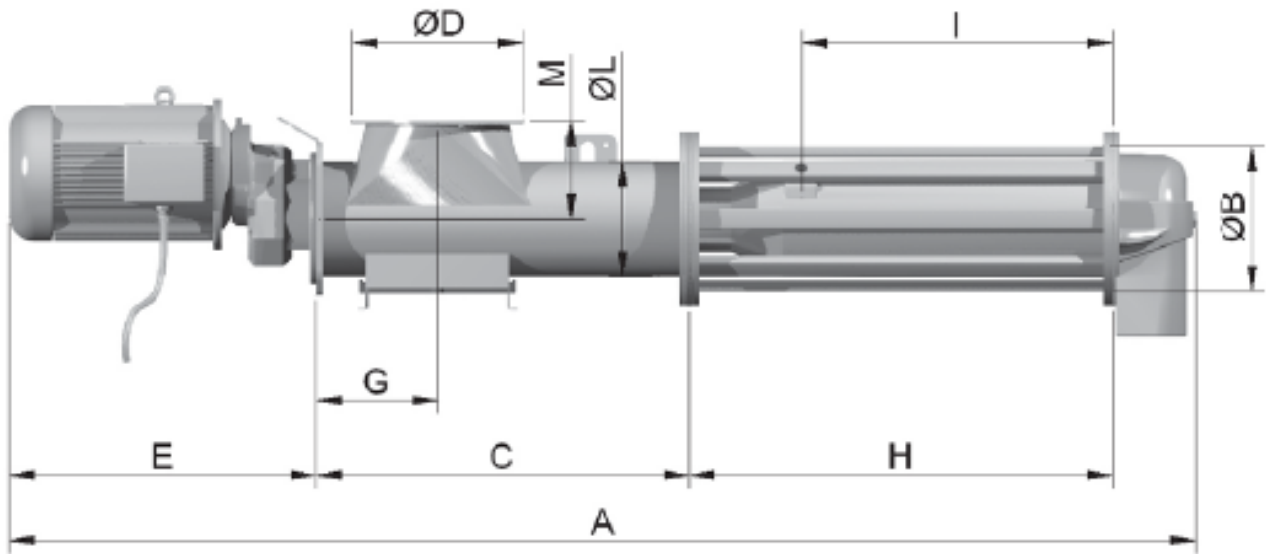


In terms of function and economy, the WETDUST™ Conditioner is the ideal machine for the evacuation, conditioning and disposal of industrial dust.

Thanks to its particular technical features, the use of innovative materials and extremely short processing time, WETDUST™ is suitable for both continuous and batch operation in heavy-duty applications.

The self-cleaning chamber liner made of nonstick wear-resistant SINT™-material makes daily cleaning, which is necessary with other machines, superfluous. Quick and easy dismantling makes WETDUST™ extremely maintenance-friendly.

Overall Dimensions



CODE	A	Ø B	C	Ø D	E	G	H	I	Ø L	M	kg	kW	m³/h
WETDUST®	2,115	273	700	273	590	226	650	442	219	186	146	5.5	1.5 - 3

Dimensions in mm



Filtering



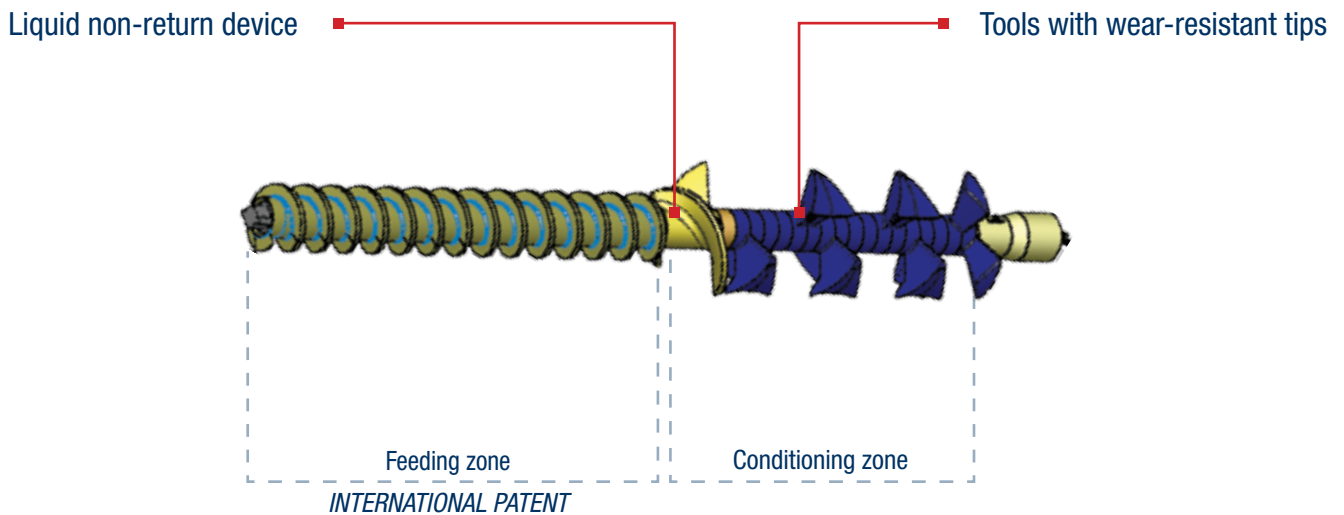
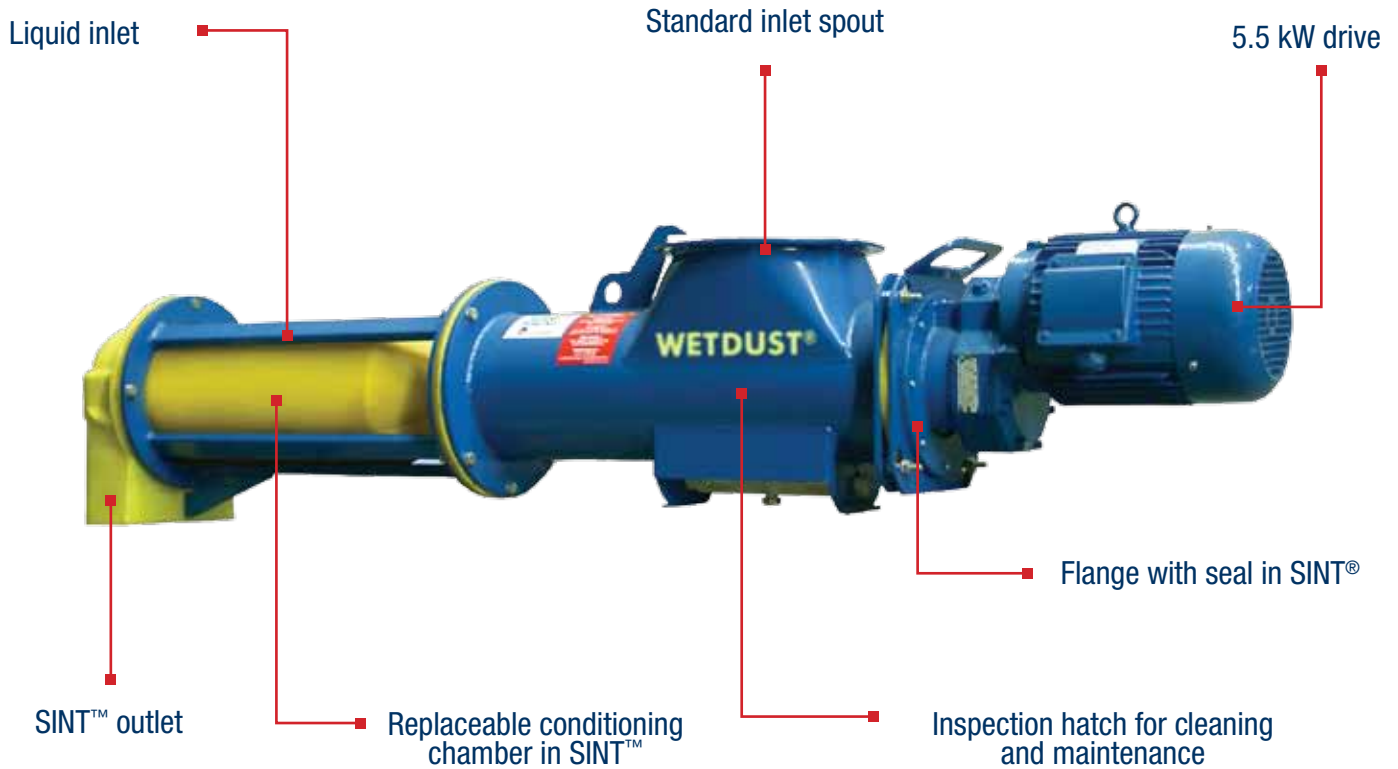
Conditioning



Benefits

- ✓ Quick return on investment;
- ✓ Easy to install;
- ✓ Very little maintenance required;

- ✓ No material residue;
- ✓ Rotor completely removable and replaceable.



Applications



FOUNDRY



STEEL INDUSTRY



POWER PLANTS



CHEMICAL

060001525 September 2012 Rights reserved to modify technical specifications.



www.wamgroup.com