

Automatic Bag Splitters

RSA



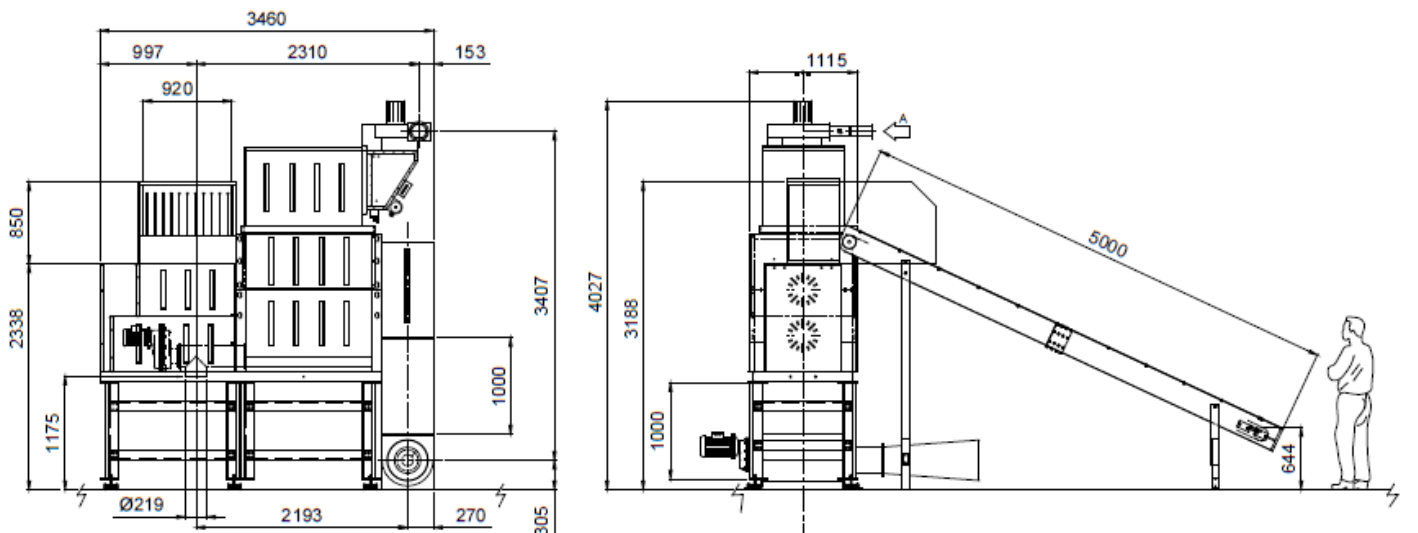
EMPTYING BAGS MADE EASY

Among all the different types of machines on the market, the RSA Automatic Bag Splitter by EXTRAC® offers the best value for money. The RSA provides cutting-edge technology with few moving components and a simple operating principle.

The RSA Automatic Bag Splitter is made up of a splitting unit consisting of a trough that encloses an extra heavy-duty splitting screw, complete with appropriate gear motor and a screening unit that consists of a horizontal, cylindrically shaped rotating screen, complete with drive unit. On top of the screening unit a suitable fan-operated dust collector can be integrated. Alternatively, the RSA is supplied with connecting spigots for a central de-dusting unit.



Overall Dimensions



Dimensions in mm

Benefits



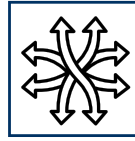
Simple, compact solution suitable for multiple system configurations



Optimum price-performance ratio



Safe work environment; operator does not come into contact with material handled



Suitable for various bag materials and sizes



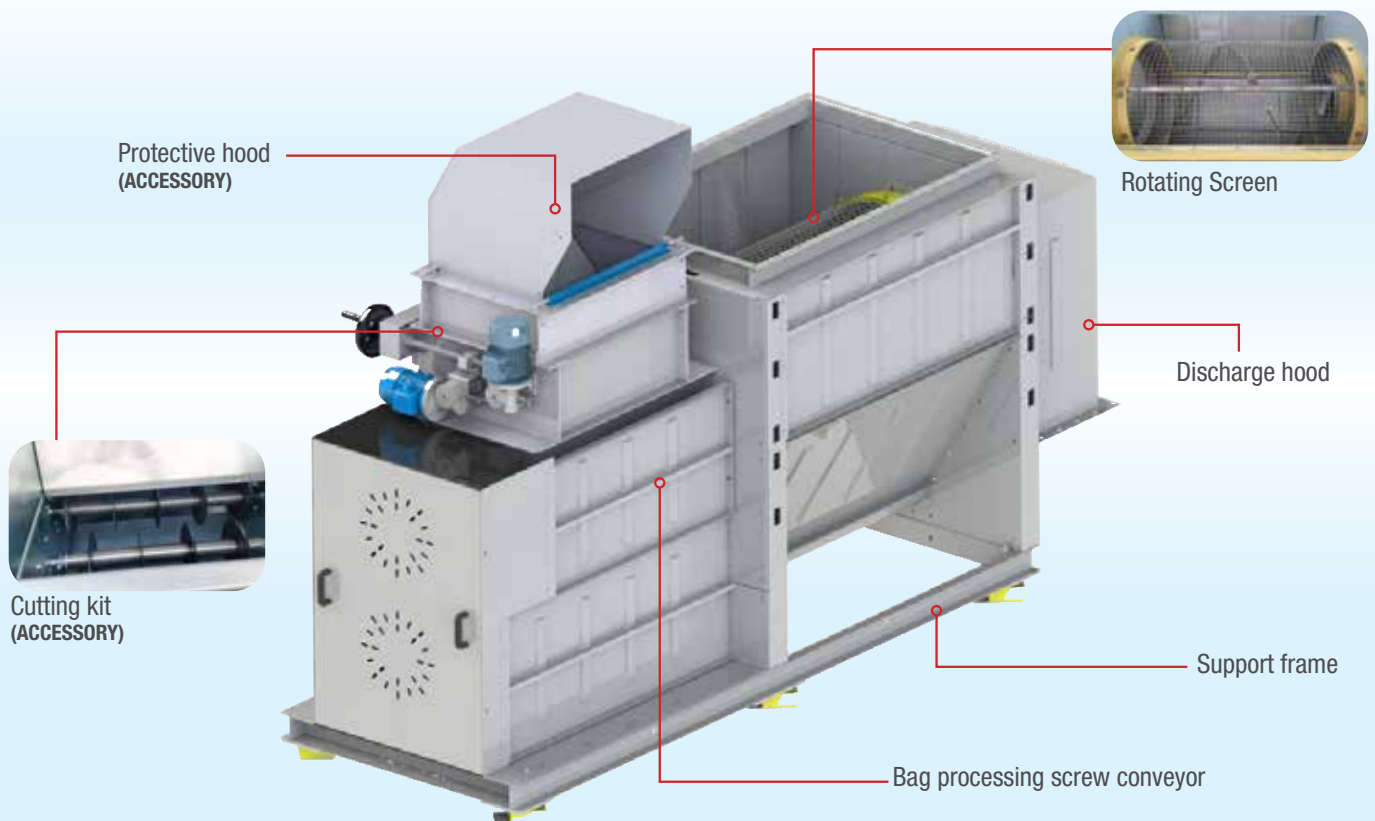
Low energy consumption



Technical support and worldwide availability of spare parts thanks to WAMGROUP® subsidiary network

Technical Features

- Material: carbon steel, 304L / 316L stainless steel
- Handling powders and granules
- Stainless-steel rotary screen
- Low energy consumption and low operating noise level due to use of SINT™ polymer
- Low material residue



Application



Industries



Animal Feed Milling



Food Processing



Plastics Processing



Chemicals



Glass Processing



Paint and Varnish Processing



Environmental Technology



Drymix Processing



Cement Packaging

