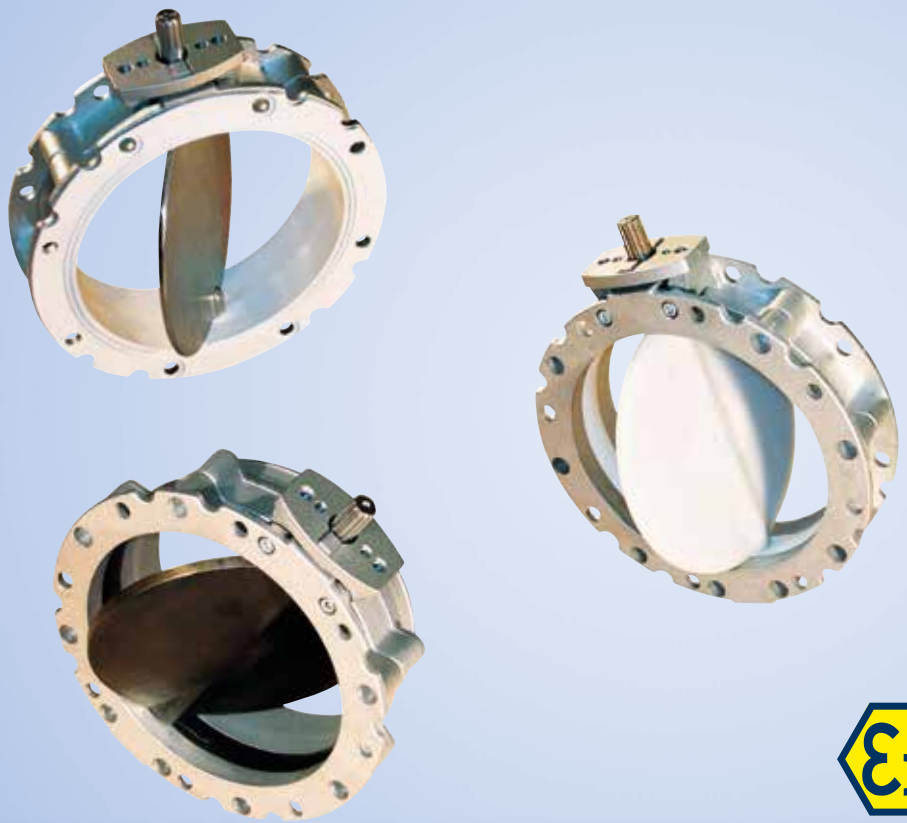


# Butterfly Valves VFS



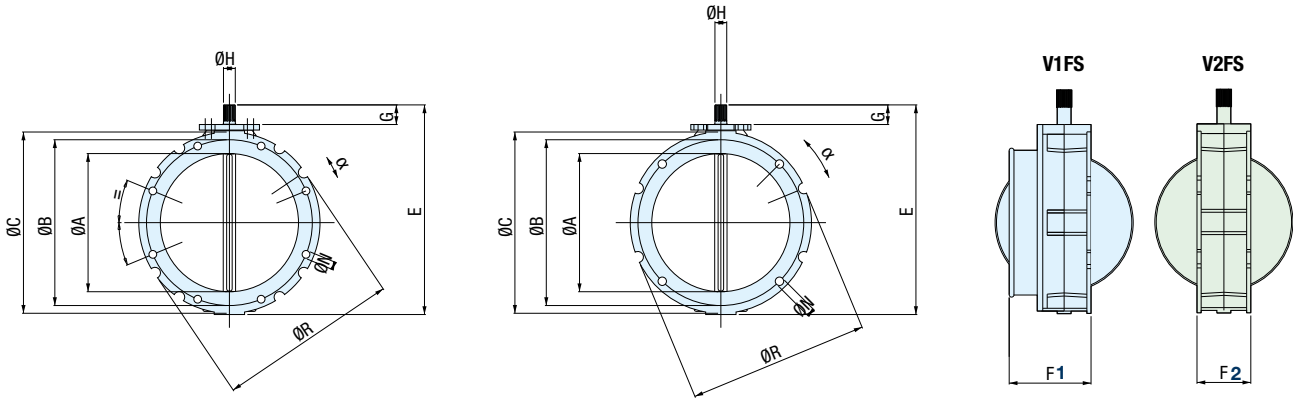
EC 1935/2004-certified

# MILLIONS OF UNITS OPERATING WORLDWIDE

VFS Butterfly Valves are among the most frequently used shut-off devices worldwide for closing bulk material silos, hoppers or containers and for interrupting the flow in both mechanical and pneumatic conveying of powdery or granular materials.

Due to their special design and engineering materials used, they represent a particularly cost-effective yet most efficient solution. For the food industry, a version with stainless-steel disc and an FDA and EC 1935/2004-compliant integral seal is available

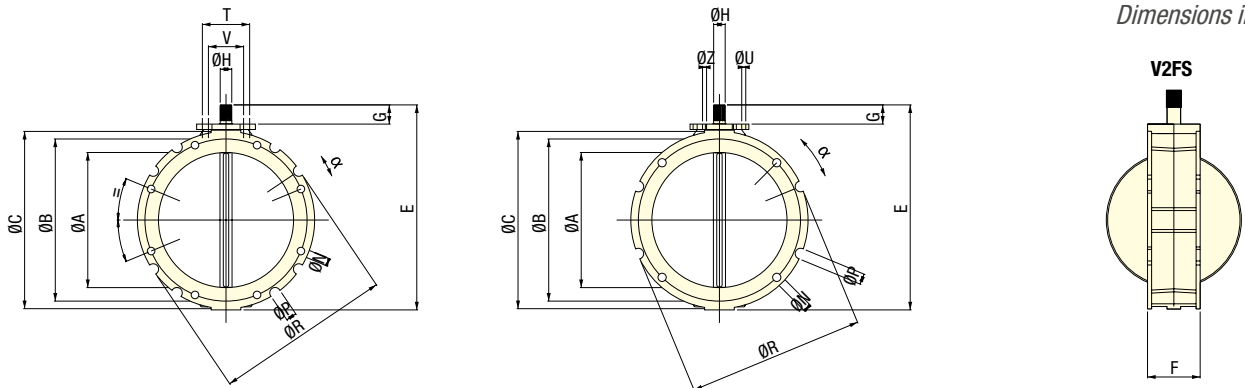
## Overall Dimensions



### SINGLE / DOUBLE-FLANGE BUTTERFLY VALVES

TYPE	Ø A	Ø B	Ø C	Ø D	E	F1	F2	G	Ø H DIN 5482	N Drillings	P External indents	Ø R	α	S	T	U	V	Z	kg
V1FS 100.	95	180	220	105	250	117	77	35	22 X 19	4 X Ø 14	4 X Ø 20	220	22°30'	40	80	M12	50	M10	4.0
V1FS 150.	150	200	228	163	290	117	77	35	22 X 19	4 X Ø 14	4 X Ø 20	228	22°30'	40	80	M12	50	M10	5.0
V1FS 200.	200	250	278	213	340	117	77	35	22 X 19	4 X Ø 14	4 X Ø 20	278	22°30'	40	80	M12	50	M10	6.5
V1FS 250.	250	300	328	263	390	117	77	35	22 X 19	8 X Ø 14	8 X Ø 20	325	11°15'	40	80	M12	50	M10	7.5
V1FS 300.	300	350	378	313	440	117	77	35	22 X 49	8 X Ø 14	16 X Ø 20	375	5°41'	40	80	M12	50	M10	9.0
V1FS 350.	350	400	440	363	530	125	85	50	28 X 25	8 X Ø 14	8 X Ø 20	440	10°	40	80	M12	-	-	16.0
V1FS 400.	400	470	530	413	580	125	85	50	28 X 25	8 X Ø 14	16 X Ø 20	530	4°30'	40	80	M12	-	-	20.5

Dimensions in mm



### FOOD-GRADE BUTTERFLY VALVES

TYPE	Ø A	Ø B	Ø C	E	F	G	Ø H DIN 5482	N Drillings	P External indents	Ø R	α	T	U	V	Z	kg
V2FS 100.	90	180	220	250	84	35	22 X 19	4 X Ø 14	4 X Ø 20	220	22°30'	80	M12	50	M10	4.0
V1FS 150.	145	200	228	290	84	35	22 X 19	4 X Ø 14	4 X Ø 20	228	22°30'	80	M12	50	M10	5.0
V1FS 200.	195	250	278	340	84	35	22 X 19	4 X Ø 14	4 X Ø 20	278	22°30'	80	M12	50	M10	6.5
V1FS 250.	245	300	328	390	84	35	22 X 19	8 X Ø 14	8 X Ø 20	325	11°15'	80	M12	50	M10	7.5
V1FS 300.	295	350	378	440	84	35	22 X 49	8 X Ø 14	16 X Ø 20	375	5°41'	80	M12	50	M10	9.0

Dimensions in mm

## Benefits



**Highly abrasion-resistant due to specific component design**



**Interchangeable discs**



**Delivery from stock of WAMGROUP® subsidiaries worldwide**



**Time-saving maintenance**



**Easy to fit**



**Optimum price-performance ratio**



**Technical support and worldwide availability of spare parts thanks to the WAMGROUP® subsidiary network**

## Technical Features

- V1FS with top flange and beaded bottom section suitable for fixing of flexible sleeve
- V2FS with identical top and bottom flange
- Dust-tight and pressure-proof up to 0.2 bar (2.9 PSI)
- High-pressure aluminium alloy die-cast semi-bodies
- Disc in cast iron, SINT® engineering polymer, or stainless steel
- Gaskets for both standard and food-grade applications
- Few components
- Lightweight and easy to handle

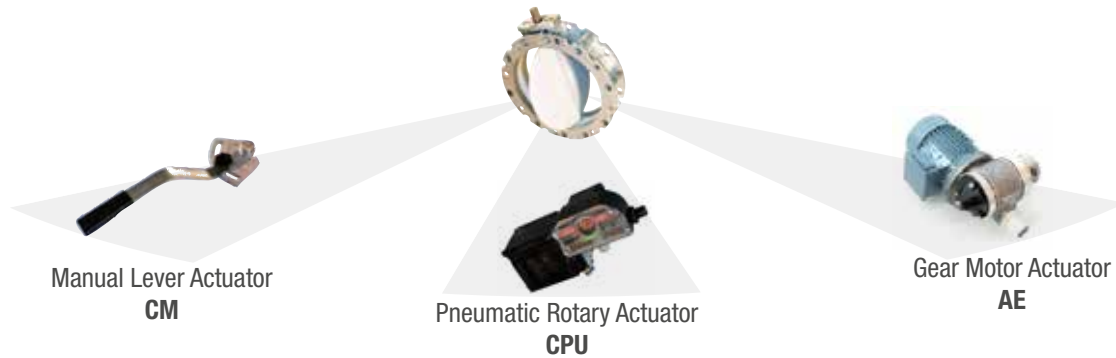


# Application



## ACTUATOR COMPATIBILITY

For further details refer to Technical Catalogue



203001749 April 2021 Rights reserved to modify technical specifications.

This brochure has been edited for distribution in European Union countries.

