

Specialised System Components for Flour Milling Plants



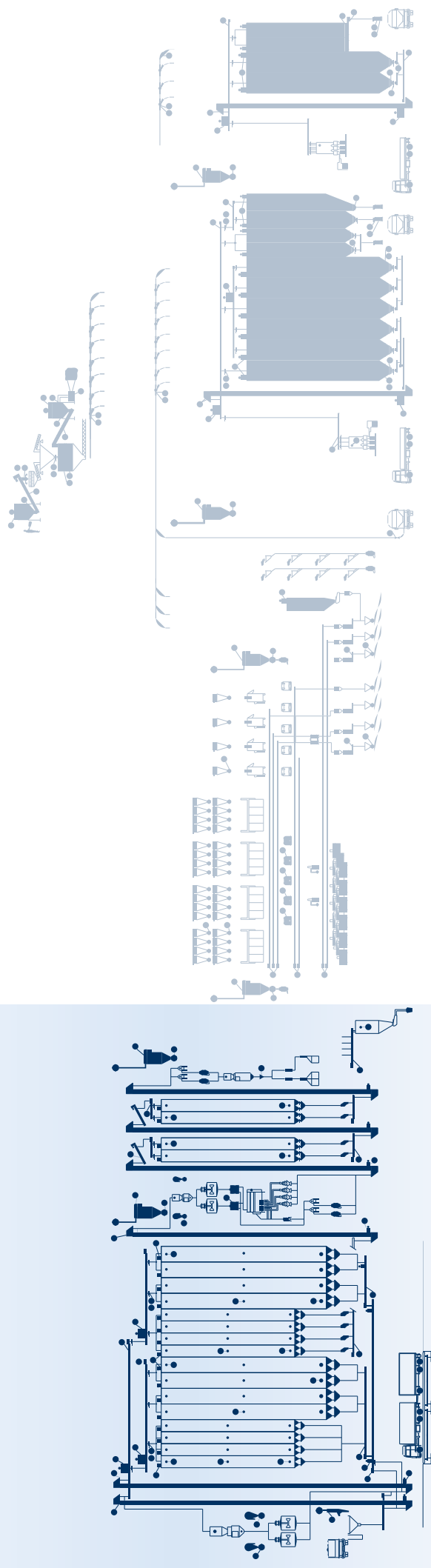
# Flour Milling

WAMGROUP® offers specialised system components tailored to the specific requirements of project engineers of flour milling plants.

By selecting this specialised equipment, system designers have the assurance they will combine top quality and performance with the highest possible operating efficiency.

## RAW MATERIAL STORAGE

Cereals on arrival at the plant are collected in big silos or cells. Different steps of cleaning and conditioning ensure the cereals will be ready for the milling process with the right moisture content.



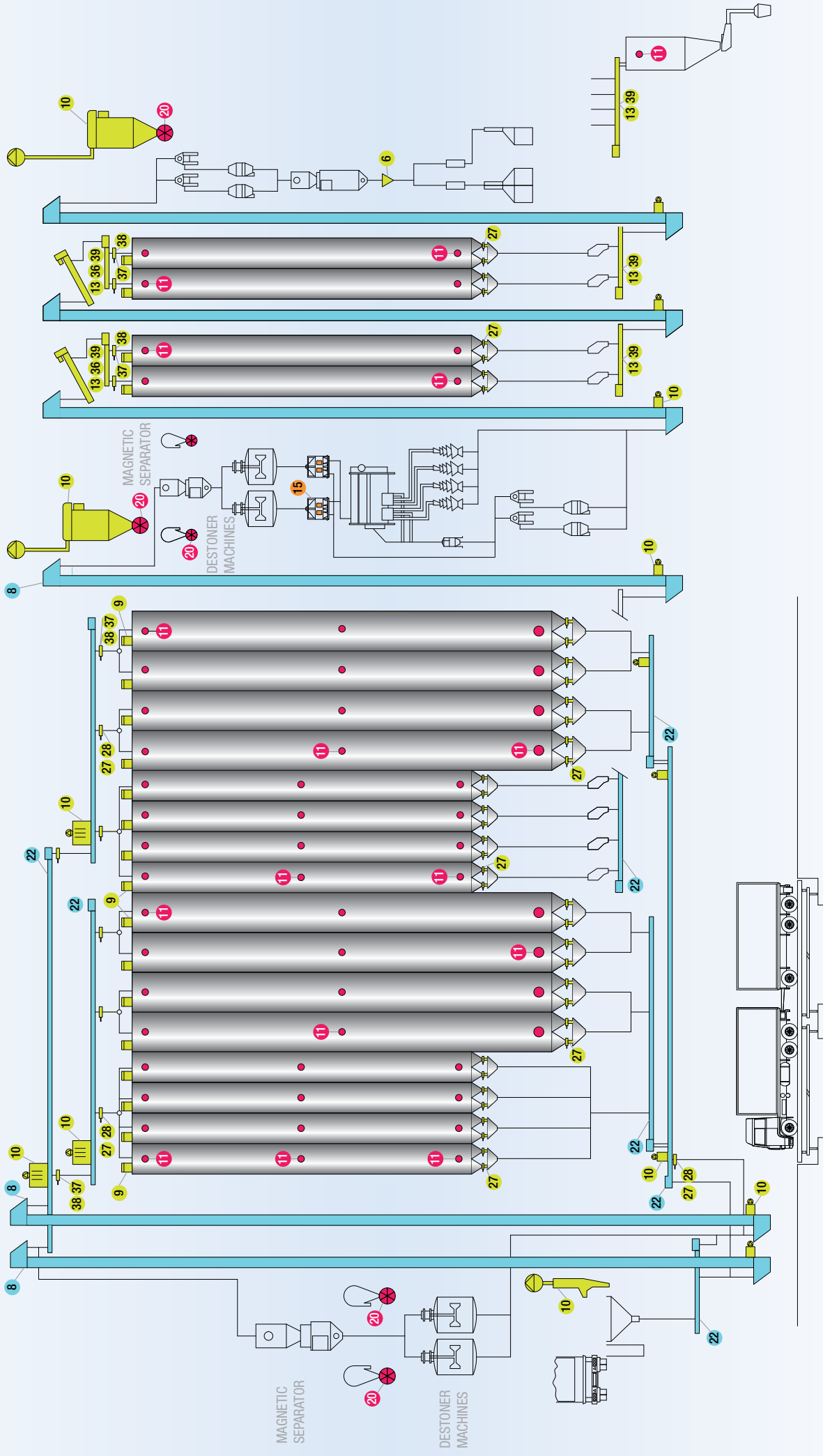
PRE-CLEANING AREA

GRAIN STORAGE SILOS

1st CLEANING AREA

WET GRAIN REST AREA

2nd CLEANING AREA



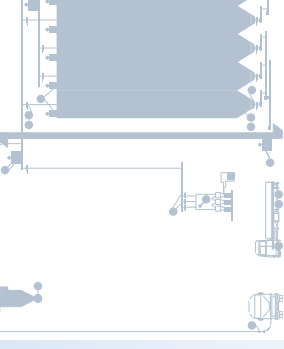
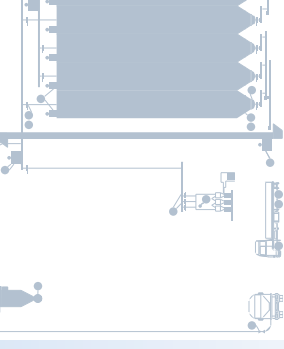
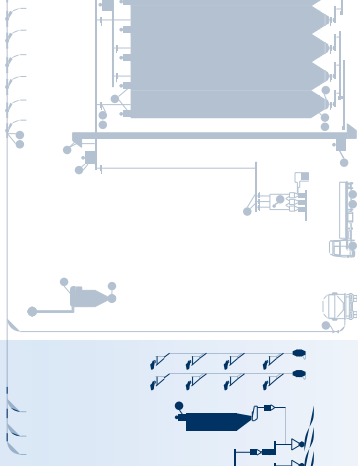
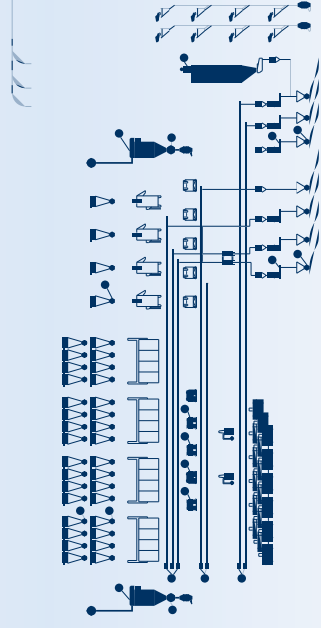
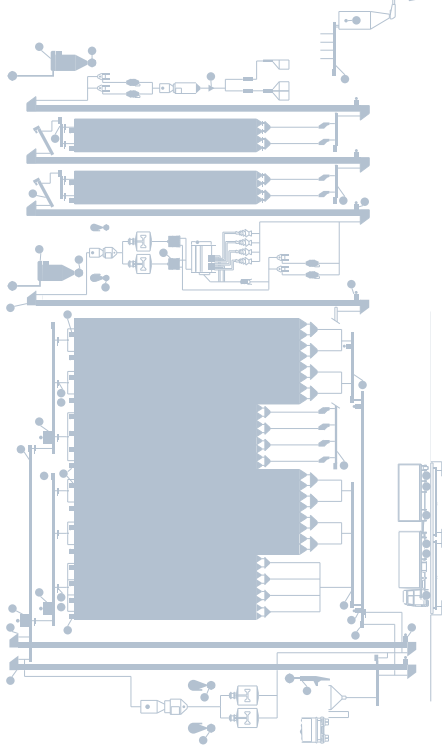
# Flour Milling

## MILLING & SCREENING

WAMGROUP® offers specialised system components tailored to the specific requirements of project engineers of flour milling plants.

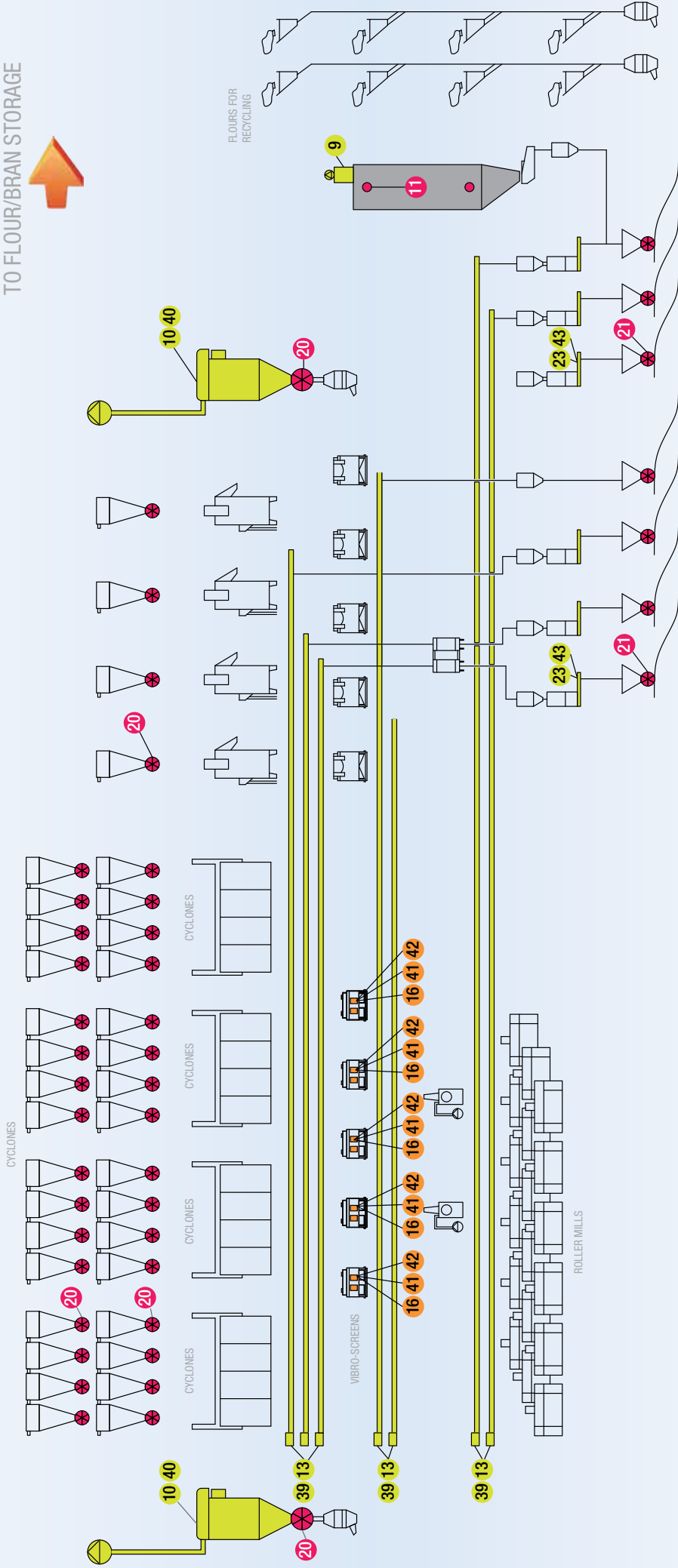
By selecting this specialised equipment, system designers have the assurance they will combine top quality and performance with the highest possible operating efficiency.

This is the core of the plant: Cereals are milled to extract the flour from the husk. Several mills and sieves produce flours in different particle size and purity.





TO FLOUR/BRAN STORAGE



FLOURS FOR RECYCLING

CYCLONES

CYCLONES

CYCLONES

CYCLONES

CYCLONES

VIBRO-SCREENS

ROLLER MILLS



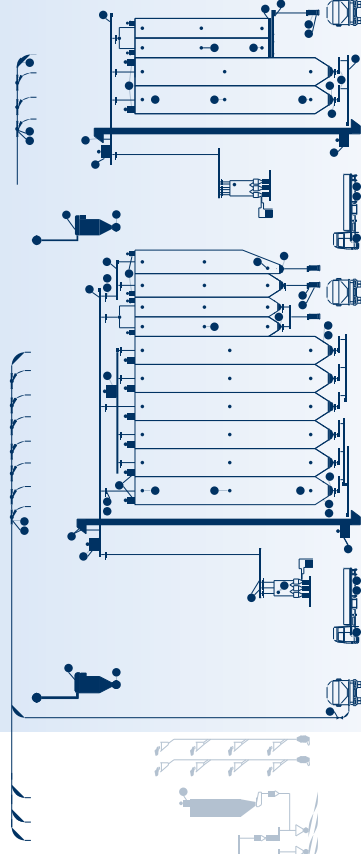
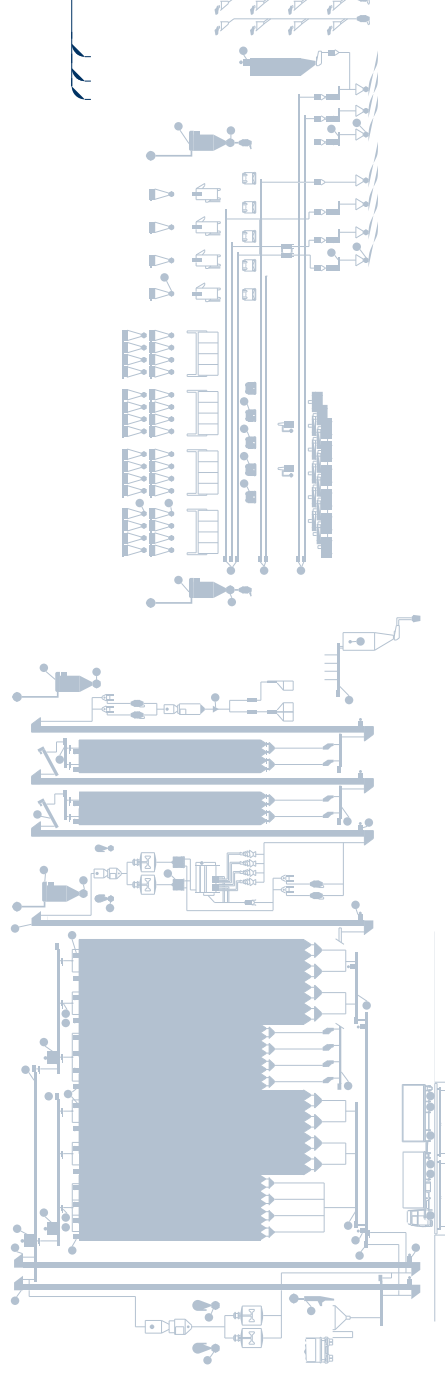
WAMGROUP® offers specialised system components tailored to the specific requirements of project engineers of flour milling plants.

By selecting this specialised equipment, system designers have the assurance they will combine top quality and performance with the highest possible operating efficiency.

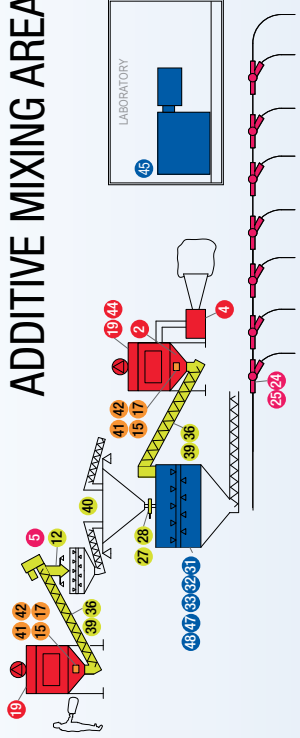
## FLOUR/BRAN STORAGE

Classified milled flours and by-products are conveyed in this area to be stored in silos or cells to be then distributed to the market. In that area flours are discharged from silos to be packed into bags or loaded into tankers for bulk delivery.

To obtain products with specific properties, flours can be also mixed with other ingredients (additives, vitamins,...) before being packed or stored again.

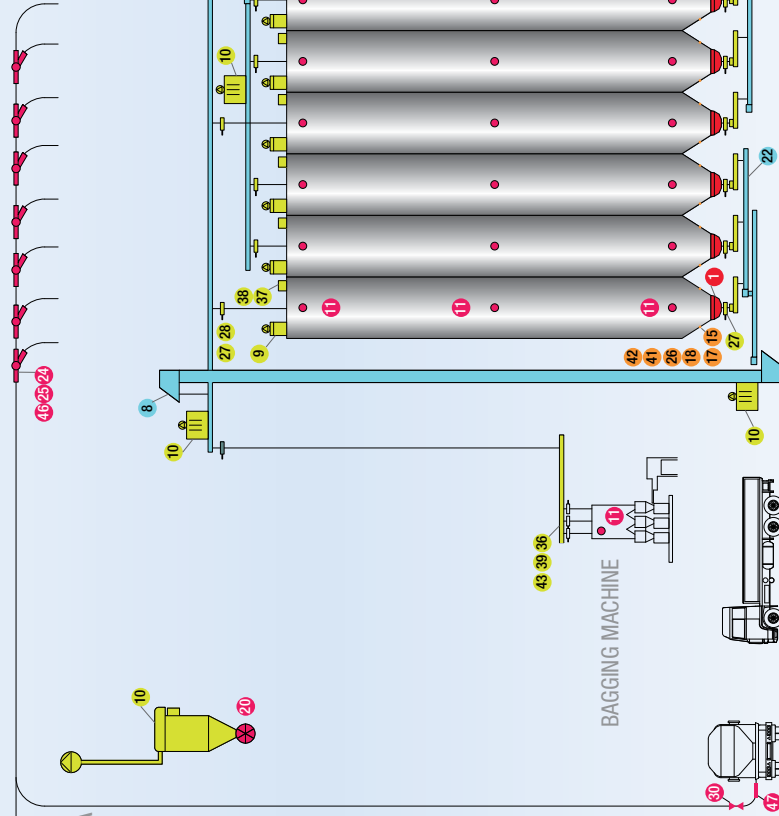


# ADDITIVE MIXING AREA

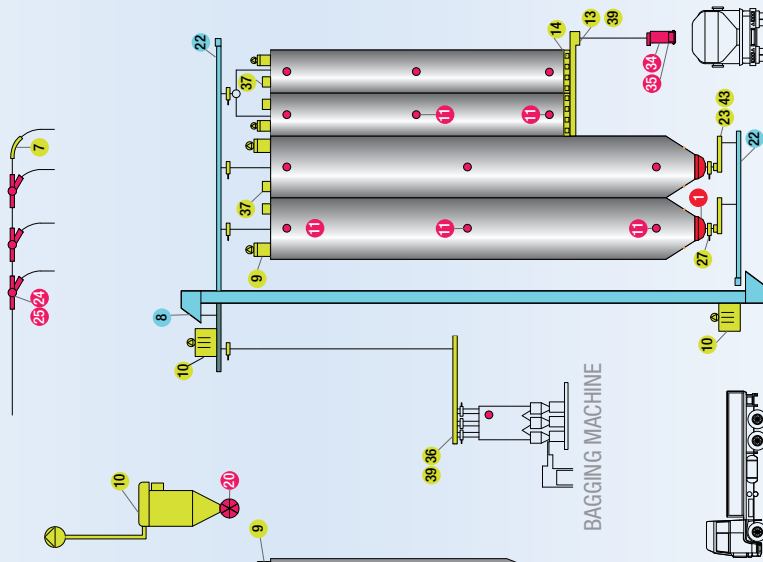


# FLOUR STORAGE

FROM MILLING & SCREENING AREA



# BRAN / SPECIAL FLOURS STORAGE



- 1** Bin Activators BA-210 BAEX-210  
*Mass flow discharge*
- 2** BINSWEEP® Rotary Dischargers BSN  
*Height-saving discharge*
- 3** Tapered Twin Shaft Screw Feeders BU  
*Mass flow discharging & feeding*
- 4** Waste Bag Compactors COM  
*Clean work environment & operator safety*
- 5** Loss-In-Weight Screw Feeders DCC  
*Highly reliable and easy to clean*
- 6** Diverter Valves DVA  
*Dustproof*
- 7** EXTRABEND® & EXTRACURVE® Pipe Elbows  
*Abrasion-resistant lightweight design*
- 8** Bucket Elevators EF-EC  
*Maximum work safety, ATEX zone 22-compliant*
- 9** WAMFLO® Dust Collectors FN-210 and FNX-210  
*Compliant with ATEX and latest health & safety standards*
- 10** WAMAIR® Dust Collectors FP-210 / FPX-210  
*Maintenance-friendly*
- 11** Rotary Level Indicators ILT  
*Easy to install*
- 12** Micro-Batch Feeders MBF-210  
*Process reliability*
- 13** Trough Screw Conveyors MSC  
*Easy access for cleaning*
- 14** Live Bin Bottoms MU  
*Ideal for discharging bran or middlings*
- 15** External Electric Vibrators MVE  
*ATEX zone 22-compliant*
- 16** External Electric Vibrators MVE-210 (8-10 poles)  
*Specialised version*
- 17** External Pneumatic Vibrators OT-Type  
*Durable*
- 18** MARTSHOCK Pneumatic Hammers PS  
*High impact force*
- 19** Manual Bag Openers RSM-210 - RSMX-210  
*Minimum-residue design*
- 20** Drop-Through Rotary Valves RV/RVR  
*Versatile in all applications*
- 21** Blow-Through Rotary Valves RVS  
*Easy access to internal parts*
- 22** Chain Conveyors TCG  
*Sturdy design*
- 23** Tapered Single-Shaft Screw Feeders UM  
*Minimum-residue design*
- 24** Diverter Valves VAD  
*Easy to install, compact design*
- 25** Diverter Valves VAR  
*Contamination-free*
- 26** Vibrating Bin Aerators VB  
*For all powdery materials*
- 27** Butterfly Valves VFS  
*Maintenance-friendly: limited number of components*
- 28** Slide Valves VG  
*High flow rates*
- 29** Slide Valves VL  
*No seal adjustment required*
- 30** Pinch Valves VM  
*Easy sleeve replacement*
- 31** Batch-Type Single Shaft Mixers with Bomb Bay Discharge WBH  
*Short mixing and discharge time*
- 32** Continuous Single Shaft Mixers WAH  
*High productivity*
- 33** Ribbon Blenders WBN  
*Gentle blending*
- 34** BELLOJET® Tanker Loading Bellows ZA  
*Built-in low-profile dust collector*
- 35** Tanker Loading Bellows ZG  
*No waste material during loading*
- 36** Tubular Trough Screw Conveyors & Feeders CAO  
*Minimum-residue design*
- 37** VCP Spring-Loaded Pressure Relief Valves  
*Maximum work safety; ATEX zone 21-certified*
- 38** VHS Spring-Loaded Pressure Relief Valves  
*Maximum work safety*
- 39** Trough Screw Conveyors CA  
*Sturdy design*
- 40** HOPPERJET® Hopper Venting Filters  
*Maintenance-friendly*
- 41** External Pneumatic Vibrators S-Type  
*Reliable*
- 42** External Pneumatic Vibrators P-Type  
*High impact force*
- 43** Single Shaft Screw Feeders SU  
*Efficient material extraction*
- 44** FIBC Dischargers SBB  
*Easy bulk bag handling*
- 45** Laboratory Mixer MLH  
*Feasibility testing and small-scale production*
- 46** Diverter Valves VAB  
*Compact and versatile*
- 47** Silo Safety System KCS  
*Process reliability*



# APPLICATIONS





UNI EN ISO 9001  
Certified Company



063002151 January 2015 Rights reserved to modify technical specifications.



[www.wamgroup.com](http://www.wamgroup.com)