

Mixing & Blending



Fristam
PUMPS®
Engineered For Lasting Performance®



Better Blending in Less Time

Fristam mixers and blenders improve product texture, reduce processing time, produce repeatable results, are economical to maintain and operate, and feature low maintenance designs for continuous duty and CIP.

“It used to take us 8 hours.
Now, it’s only 15 minutes with
the Powder Mixer.”
- Midwest cheese processor

Choose from our complete line of Blenders and Mixers

From powder induction to in-line blending and complete wet/dry blending table systems, Fristam has your mixing and blending solution.

Powder Induction

Consistent incorporation of powders into a fluid stream, with no plugging.



FZX Liquid Ring Pump
page 4

In-line Blending

Thorough blending of powders and/or liquids into a fluid stream, in one pass.



FS Shear Blender
page 6

Full Mixing System

Quick, efficient powder induction and dispersion in one ergonomic package.



Frisam
Powder Mixer
page 10

Powder Induction

Fristam's FZX produces even flow and a uniform, well-blended product, even as viscosity increases.

PULL, DON'T PUSH

The Fristam Powder Induction System utilizes the self-priming FZX series pump in combination with a restricting valve to create vacuum under a hopper to pull powder into the fluid stream. This vacuum can be maintained throughout the entire product run, ensuring your powder rate will remain consistent and fluid will not plug the funnel.

Traditional funnel-pump powder inductors rely on gravity, vortex or Venturi to push powder into fluid stream. These methods all require very specific control of the flow rate to maintain proper induction. As product viscosity changes, flow rate decreases, causing the pump to clog.

Because the FZX is designed to pump entrained air, it will not lose prime or cause fluid to back up in the funnel. The result is consistent flow, no plugging and a well-blended product.



FZX Cover



ERGONOMIC AND SAFE

The FZX can become a stand-alone powder induction system with the addition of a powder funnel or wand. Its small footprint allows operators to stand on the floor to pour the powder, eliminating dangerous ladder climbing involved with traditional large batch tanks.

CIP AND SIP

FZX series pumps are fully cleanable and steamable in place.

TYPICAL FZX POWDER INDUCTION APPLICATIONS:

Salts

- Dissolving NaCl to make brine

Sugars

- Dissolving sugar to make sucrose
- Dissolving dextrose to make glucose

FZX SERIES SPECIFICATIONS

- 6 pump heads
- 6 models (low speeds)
- Max. Flow Rate 400 gpm (90 m³/hr)
- Viscosities in excess of 5,000 cps

"Our tea powder was not being properly hydrated, which resulted in customer complaint calls. We were able to eliminate the undissolved solids and reduce our batch time by more than 50%."

- Beverage producer

In-line Blending

Fristam's FS Series Shear Blender for in-line mixing, blends products quickly and consistently. Compared to conventional methods, the Shear Blender shortens processing times significantly.

BLEND, DON'T STIR

The FS Shear Blender uses high tip speeds and close clearances to create an effective, highly turbulent mixing zone.

Traditional batch mixing processes can result in a lot of waste. Product tends to stick to the sides and bottom of the tank and may never reach the agitator. This results in extended processing time waiting for the product to blend.

With the Fristam FS, all of the product is passed through a rotor-stator system before reaching the tank, ensuring a thorough and complete mix, in minimal time.

BLENDING IN MINUTES

With the FS Blender, powders are wetted and dispersed on the first pass, dramatically reducing process times.

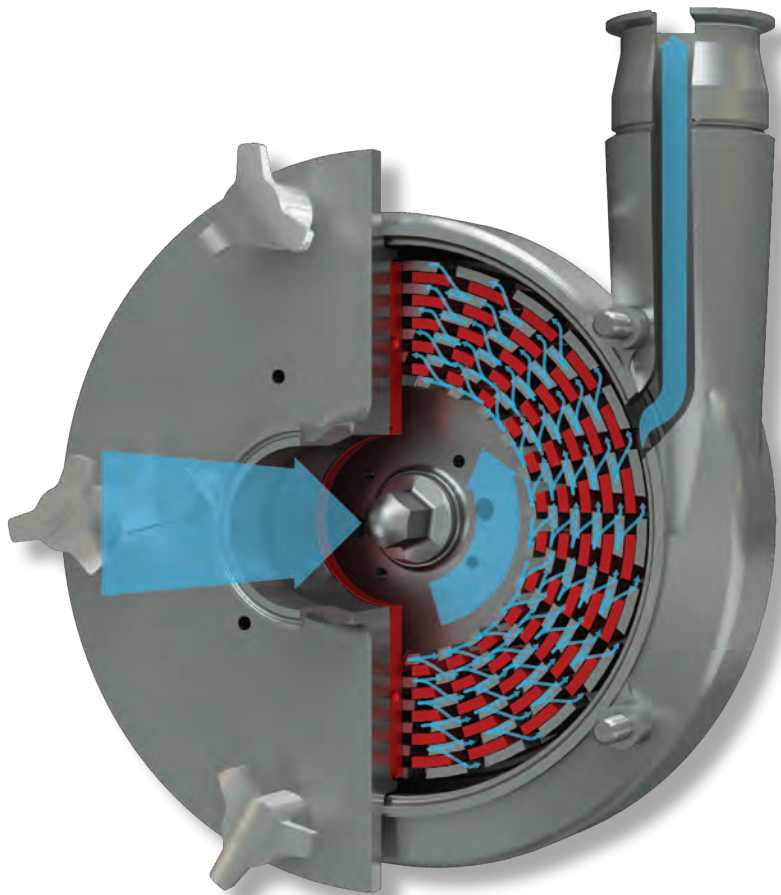
SAVES ENERGY

Since most blending can be done in a single pass, the energy is exerted precisely and for a shorter time than with in-tank mixing.

REPEATABLE RESULTS

With the FS, all of the product is processed through its rotor/stator at a controlled concentration, achieving a complete and consistent mix while saving ingredients. With a batch tank mixer, some product may be needlessly mixed over and over, while some product may not be mixed at all.





FS Cover and Stator



- Stator Teeth
- Rotor Teeth
- Product Flow

IMPROVED PRODUCT TEXTURE

Fristam's FS Shear Blender uses an intermeshed rotor/stator system to disperse particles into liquid. Its rotating teeth pass within 0.5 mm of the stationary teeth at high speeds, causing a tremendous amount of turbulence. As centrifugal force pushes the product towards the outlet, the intensity of this turbulence ensures that all product must be thoroughly blended to exit the FS.

EASY MAINTENANCE

Designed with a front-loading seal, the FS allows production personnel to service the pump in place, with no special tools.

FULLY CIP'ABLE

The fully CIP'able design of the FS meets the most stringent sanitary standards. Its internal seal performs at virtually any pressure.

DIVERSE APPLICATIONS

- Blend
- Emulsify
- Disperse
- Dissolve
- Texturize
- Reduce particle size

FS SERIES SPECIFICATIONS

- 12 Models
- Max. Tip Speed 145 ft/s (44m/s)
- Max. Flow Rate 375 gpm (85 m³/hr)
- Max. Viscosity 30,000 cps

Full Mixing System

Fristam's Powder Mixer blends dry and wet ingredients into a fluid stream and maintains performance even as product viscosity increases.

INTEGRATED SYSTEM

Fristam's Powder Mixer incorporates the uniform powder induction of the FZX liquid ring pump and thorough blending of the FS Shear Blender into a single, compact system.

CONSISTENT POWDER INDUCTION

The FZX is unparalleled as a self-priming pump, easily pulling liquids and solids together.

The table's full-port valve inducts powders fully, eliminates powder bridging and ensures maximum powder induction rate. Vacuum gauges monitor suction for repeatable results.

BLENDS BETTER

The Powder Mixer achieves a complete and consistent mix, time after time, by using an intermeshed rotor/stator system with tight gaps that produces high turbulence at high speeds.

PROCESSES LARGER BATCHES

Since the Fristam Powder Mixer is an in-line system, the batch size is infinite.

BLENDS IN MINUTES

Powders can be wetted and dispersed on the first pass through the Powder Mixer, dramatically reducing process times.





PORTABLE

Smaller models are portable, with locking wheels. The Powder Mixer can be moved easily to different processes as needed.

ERGONOMIC & SAFE

The Powder Mixer operates at floor-level, eliminating dangerous ladder climbing or accidental falling or dropping of equipment from mezzanines. Also, with its waist-height funnel top, there is no bending to pour.

WHY IT'S BETTER THAN BATCH MIXERS

- Devours lumps and clumps
- Blends in minutes
- Processes larger batches

WHY IT'S BETTER THAN FUNNEL/PUMP COMBINATIONS

- High-intensity blending
- Repeatable product consistency

NO RISK TRIAL

Fristam offers on-site trials with your product. For only a nominal fee, Fristam will put our powder mixer to work for you, so you can see the amazing results for yourself.

- Fully operational powder mixer
- Factory-trained technician on-site
- Expert process guidance

"[The on-site trial] proved so successful, we kept it. The chemist and I wouldn't let it leave. We were able to achieve results that we weren't able to achieve with the old system, and in only 30 minutes mixing time."

- E. Martinez, Coats Aloe International

Powder Mixer Applications

DAIRY

- Flavored milk
- Eggnog
- Ice cream mix
- Light & low fat sour cream

BEVERAGE

- Soda syrups & concentrate
- Sucrose solution
- Green tea
- Hops Induction

FOOD

- Olive oil/water emulsion
- Hummus
- Salsa & hot sauce
- Fruit puree

PERSONAL CARE

- Shampoo & conditioner
- Sanitizer gel
- Toothpaste
- Lotions & creams

BIO-PHARMACEUTICAL

- Media prep
- Buffer solution
- Glucose

THICKENERS

- Pectin
- Carbopol
- Carrageenan
- Starches
- Gelatin
- Xanthan Gum

INGREDIENTS

- Aloe Vera
- Honey
- Aspartame
- Non-Fat Dry Milk (NFDM)
- Beeswax
- Calcium Carbonate
- Salt
- Sodium Citrate
- Chocolate Powder
- Sugar
- Citric Acid
- Vanilla



PM	Max. Flow Rate	Max. Induction Rate lbs/min (kg/min)			
Model	GPM (m ³ /hr)	Sugar/Salt	Starch/WPC/Cocoa	Pectin	Carbopol/Xanthan
01-10	15 (3)	30 (15)	20 (10)	5 (1)	5 (1)
10-52	50 (11)	100 (45)	65 (30)	20 (10)	10 (5)
15-52	90 (20)	175 (80)	115 (50)	35 (15)	20 (10)
20-53	125 (28)	225 (100)	150 (70)	45 (20)	25 (10)
25-53	150 (34)	300 (135)	200 (90)	60 (25)	30 (15)
35-53*	250 (57)	500 (225)	335 (150)	100 (45)	50 (25)
40-53*	300 (68)	600 (270)	400 (180)	120 (55)	60 (25)
2-52	75 (17)	150 (70)	100 (45)	30 (15)	15 (5)
3-53	125 (28)	225 (100)	151 (70)	45 (20)	23 (10)

*Due to size constraints, the FZX is mounted in the table and the FS is separate

Powder Mixer Options

The Fristam Powder Mixer can be configured to meet a wide array of processing needs specific to each industry.



BEVERAGE PACKAGE

- Double seals
- Drum unload port

DAIRY PACKAGE

- Rectangular funnel
- Funnel screen
- Funnel lid

PHARMA PACKAGE:

- Validation package
- Product testing & certifications
- Casing drains
- Diaphragm valves
- 15 Ra finish with electropolish on product contact areas

PERSONAL CARE PACKAGE:

- Variable frequency drive
- Funnel orifice

HOPS DOSING PACKAGE:

- Funnel gas blanket

In-line Blending Options

FSI OPTION

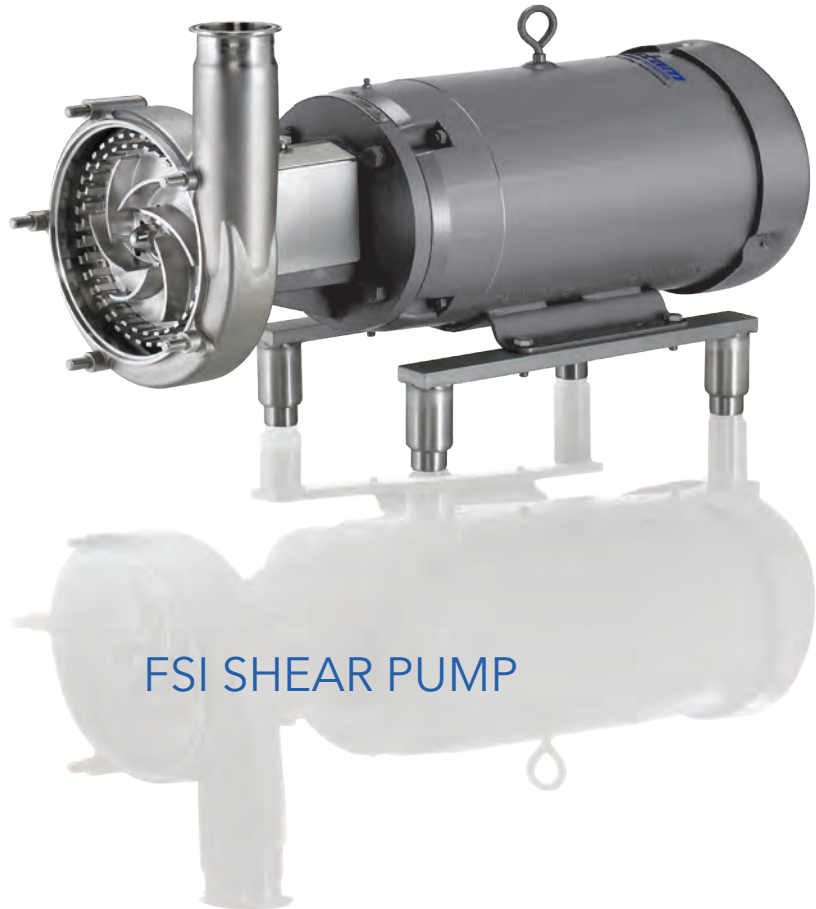
Fristam's FSI Series Shear Pump is an impeller-style version of the Fristam FS Series Shear Blender. A pump and blender in one—for applications requiring both pumping and mixing—Fristam's FSI has an integrated impeller that provides high flow rates while still mixing your product.

TYPICAL APPLICATIONS

- Biodiesel
- Ice cream mix
- Supplemental mixing after a batch tank

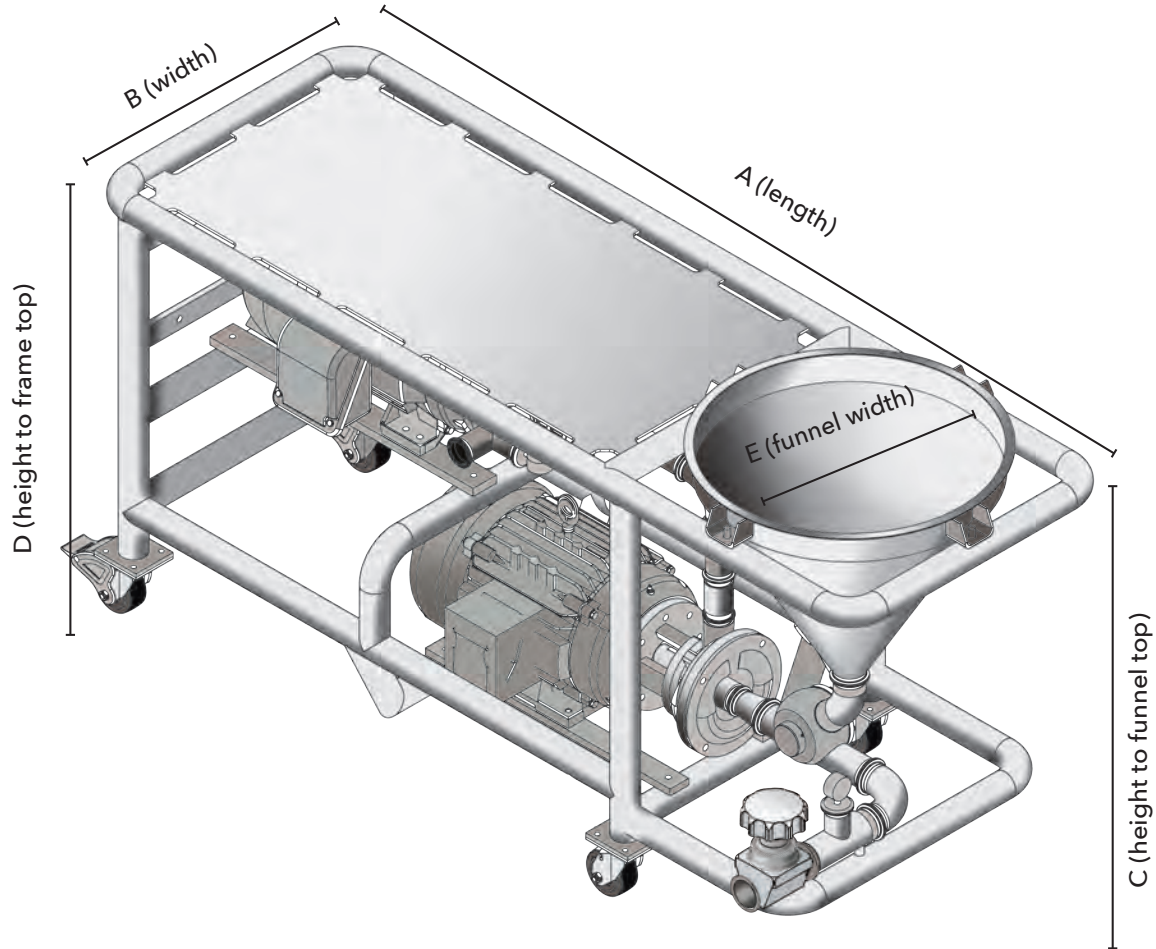
FSI SERIES SPECIFICATIONS

- 10 Models
- Max. Tip Speed 145 ft/s (44m/s)
- Max. Flow Rate 375 gpm (85 m³/hr)
- Max. Viscosity 30,000 cps



Powder Mixer Dimensional Drawing

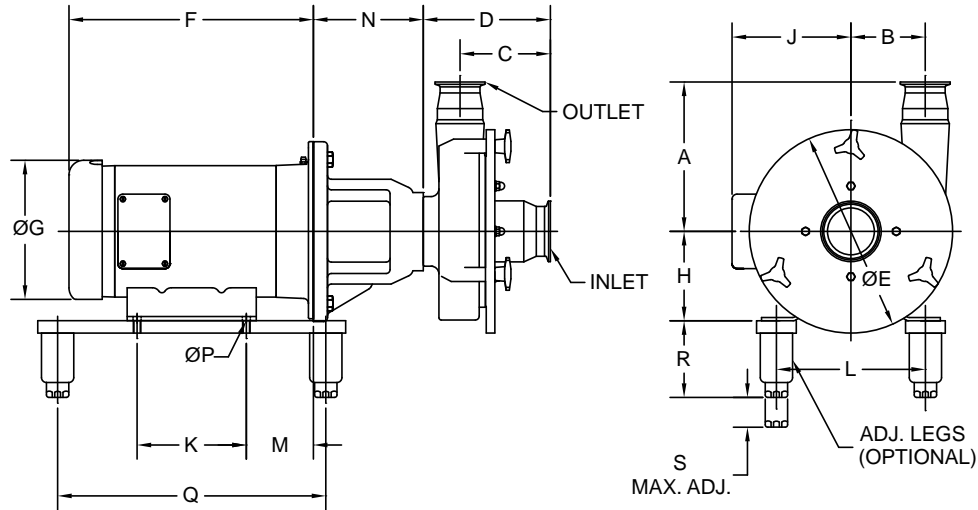
There are several standard model sizes, depending on the powder being mixed and the flow rate.



Model	FZX Model	FS Model	Inlet	Outlet	A	B	C	D	E
01-10	2010	712	1.5 (3.8)	1.5 (3.8)	56 (142)	30 (76.2)	36.5 (92.7)	34 (86.4)	12 (30.5)
10-52	2100	3522	2 (5.1)	2 (5.1)	71 (180)	30.5 (77.5)	40.5 (103)	38 (96.5)	24 (61)
15-52	2150	3532	2 (5.1)	2 (5.1)	71 (180)	30.5 (77.5)	41.5 (105)	38 (96.5)	24 (61)
20-53	2200	3532	2.5 (6.4)	2.5 (6.4)	83 (211)	30.5 (77.5)	41.5 (105)	39 (99.1)	24 (61)
25-53	2250	3532	2.5 (6.4)	2.5 (6.4)	83 (211)	30.5 (77.5)	41.5 (105)	39 (99.1)	24 (61)
2-52	FDS 2	3522	2 (5.1)	2 (5.1)	83 (211)	30.5 (77.5)	41.5 (105)	39 (99.1)	24 (61)
3-53	FDS 3	3532	3 (7.6)	2 (5.1)	104 (264)	35 (89)	45.8 (116)	43.2 (110)	24 (61)

All dimensions are in inches (centimeters).

FS Shear Blender Dimensional Drawing



NOTE:

1. MOTOR DIMENSIONS MAY VARY DEPENDING ON MANUFACTURER REQUESTED.
2. BLENDER DIMENSIONS ARE BASED ON CLAMP FITTINGS.
3. ALL DIMENSIONS ARE IN MILLIMETERS (INCHES).

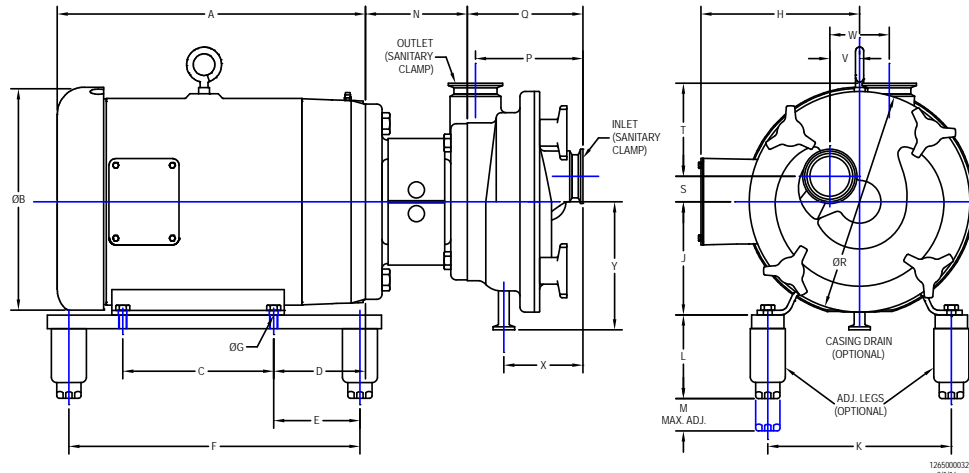
1265000137
REV. B

PUMP MODEL	INLET	OUTLET	A	B	C	D	E
711 / 712	2"	1.5"	144	58	113	145	185
			5.67"	2.28"	4.45"	5.71"	7.28"
721 / 722	2"	1.5"	170	79	113	145	230
			6.69"	3.11"	4.45"	5.71"	9.06"
3521 / 3522	2.5"	2"	190	80	118	157.5	230
			7.48"	3.15"	4.65"	6.2"	9.06"
3531 / 3532	2.5"	2"	191	95	115.5	157.5	260
			7.52"	3.74"	4.55"	6.2"	10.24"
3541 / 3542	3"	2.5"	211	115	118	157.5	290
			8.31"	4.53"	4.65"	6.2"	11.42"
3551 / 3552	3"	2.5"	230	140	119	170	350
			9.06"	5.51"	4.69"	6.69"	13.78"

MOTOR HP	MOTOR RPM	MOTOR FRAME	F	G	H	J	K	L	M	N	P	Q	R	S
			1750 RPM	3500 RPM										
1 HP	1.5 HP	143TC	284	175	89	133	101.6	140	127	120	8.7	356	98	38
			11.18"	6.89"	3.5"	5.25"	4"	5.5"	5"	4.72"	0.34"	14"	3.86"	1.5"
1.5 HP	2 HP	145TC	284	175	89	133	127	140	127	120	8.7	356	98	38
			11.18"	6.89"	3.5"	5.25"	5"	5.5"	5"	4.72"	0.34"	14"	3.86"	1.5"
2 HP	3 HP	182TC	284	175	89	133	127	140	127	120	8.7	356	98	38
			11.18"	6.89"	3.5"	5.25"	5"	5.5"	5"	4.72"	0.34"	14"	3.86"	1.5"
3 HP	5 HP	184TC	340	221	114	149	114	191	108	169	10.3	356	98	38
			13.39"	8.7"	4.5"	5.87"	4.5"	7.5"	4.25"	6.65"	0.41"	14"	3.86"	1.5"
5 HP	7.5 HP	184TC	354	221	114	149	114	191	108	169	10.3	356	98	38
			13.94"	8.7"	4.5"	5.87"	4.5"	7.5"	4.25"	6.65"	0.41"	14"	3.86"	1.5"
7.5 HP	10 HP	213TC	403	260	133	187	140	216	108	169	10.3	356	98	38
			15.87"	10.25"	5.25"	7.38"	5.5"	8.5"	4.25"	6.65"	0.41"	14"	3.86"	1.5"
10 HP	15 HP	215TC	403	260	133	187	178	216	108	169	10.3	356	98	38
			15.87"	10.25"	5.25"	7.38"	7"	8.5"	4.25"	6.65"	0.41"	14"	3.86"	1.5"
15 HP	20 HP	254TC	416	260	133	187	178	216	108	169	10.3	356	98	38
			16.38"	10.25"	5.25"	7.38"	7"	8.5"	4.25"	6.65"	0.41"	14"	3.86"	1.5"
20 HP	25 HP	256TC	515	260	133	187	178	216	108	169	10.3	356	98	38
			20.28"	10.25"	5.25"	7.38"	7"	8.5"	4.25"	6.65"	0.41"	14"	3.86"	1.5"
25 HP	30 HP	284TSC	499	327	159	244	210	254	102	169	13.5	406	98	38
			19.65"	12.87"	6.25"	9.63"	8.25"	10"	4"	6.65"	0.53"	16"	3.86"	1.5"
30 HP	40 HP	286TSC	499	327	159	244	254	254	102	169	13.5	406	98	38
			19.65"	12.87"	6.25"	9.63"	10"	10"	4"	6.65"	0.53"	16"	3.86"	1.5"
40 HP	50 HP	324TSC	499	327	159	244	254	254	102	169	13.5	406	98	38
			19.65"	12.87"	6.25"	9.63"	10"	10"	4"	6.65"	0.53"	16"	3.86"	1.5"
50 HP	60 HP	326TC	588	371	178	333	241	279	121	179	13.5	445	118	45
			23.15"	14.63"	7"	13.13"	9.5"	11"	4.75"	7.05"	0.53"	17.5"	4.63"	1.75"
60 HP	75 HP	364TSC	588	371	178	333	241	279	121	179	13.5	445	118	45
			23.15"	14.63"	7"	13.13"	9.5"	11"	4.75"	7.05"	0.53"	17.5"	4.63"	1.75"
75 HP		365TSC	588	371	178	333	279	279	121	179	13.5	445	118	45
			23.15"	14.63"	7"	13.13"	11"	11"	4.75"	7.05"	0.53"	17.5"	4.63"	1.75"
		366TSC	636	419	203	359	267	318	121	179	16.7	470	118	45
			25.04"	16.5"	8"	14.13"	10.5"	12.5"	4.75"	7.05"	0.66"	18.5"	4.63"	1.75"
		367TSC	636	419	203	359	305	318	121	179	16.7	470	118	45
			25.04"	16.5"	8"	14.13"	12"	12.5"	4.75"	7.05"	0.66"	18.5"	4.63"	1.75"
		368TSC	685	470	229	383	286	356	89	209	16.7	508	127	45
			26.97"	18.5"	9.02"	15.08"	11.26"	14.02"	3.5"	8.23"	0.66"	20"	5"	1.75"
		369TSC	685	470	229	383	286	356	89	209	16.7	508	127	45
			26.97"	18.5"	9.02"	15.08"	11.26"	14.02"	3.5"	8.23"	0.66"	20"	5"	1.75"
		370TSC	685	470	229	383	311	356	89	209	16.7	508	127	45
			26.97"	18.5"	9.02"	15.08"	12.24"	14.02"	3.5"	8.23"	0.66"	20"	5"	1.75"
		371TSC	685	470	229	383	311	356	89	209	16.7	508	127	45
			26.97"	18.5"	9.02"	15.08"	12.24"	14.02"	3.5"	8.23"	0.66"	20"	5"	1.75"

1265000135
Rev.B

FZX Series Pump Dimensional Drawing



MOTOR HP	MOTOR FRAME	DIMENSIONS ARE MILLIMETERS (INCHES)												
		A	Å B	C	D	E	F	Ø G	H	J	K	L	M	N
1750 RPM														
2 HP	143TC	354 (13.92")	178 (7.01")	101.6 (4.00")	73 (2.87")	102 (4.00")	356 (14.00")	8.64 (.34")	133.4 (5.25")	88.9 (3.50")	139.7 (5.50")	98.5 (3.88")	38.1 (1.50")	120 (4.72")
3 HP	182TC		183 (7.19")	114 (4.50")						10.3 (.41")	149 (5.87")			
5 HP	184TC	361 (14.20")	226 (8.92")	140 (5.50")	89 (3.50")				187 (7.37")	133 (5.25")	216 (8.50")			
7.5 HP	213TC	383 (15.10")	263 (10.34")	178 (7.00")										
10 HP	215TC	398 (15.65")	270 (10.62")	210 (8.25")	108 (4.25")	67 (2.63")	406 (16.00")	13.5 (.53")	333 (13.13")	178 (7.00")	279 (11.00")			
15 HP	254TC	496 (19.56")	336 (13.25")	254 (10.00")	120.7 (4.75")	95 (3.75")								
20 HP	256TC	487 (19.16")	371 (14.63")	279 (11.00")	133 (5.25")	121 (4.75")	445 (17.50")	16.7 (.66")	359 (14.12")	203 (8.00")	318 (12.50")	117 (4.62")	44.5 (1.75")	171 (6.73")
25 HP	284TC	588 (23.15")	413 (16.25")	260 (10.25")										
30 HP	286TC		305 (12.00")	286 (11.25")	149 (5.87")	89 (3.50")	508 (20.00")		383 (15.06")	229 (9.00")	356 (14.00")	127 (5.00")		
40 HP	324TC	636 (25.03")	467 (18.38")	311 (12.25")										
50 HP	326TC													
60 HP	364TC													
75 HP	365TC													

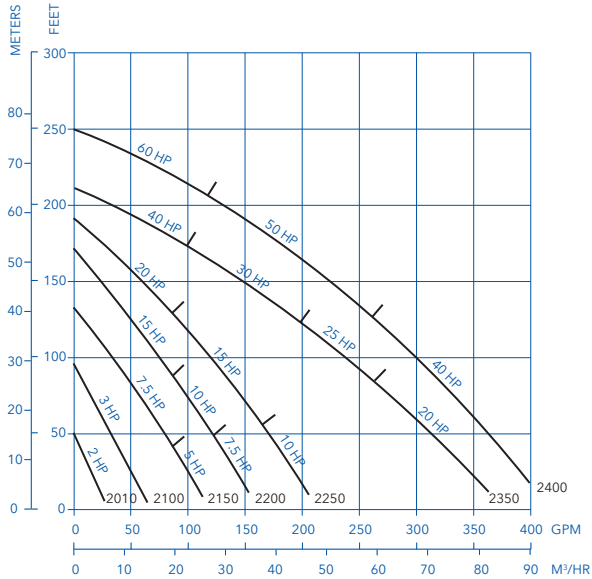
PUMP MODEL	INLET & OUTLET	DIMENSIONS IN MILLIMETERS (INCHES)									
		P	Q	Ø R	S	T	V	W	X	Y	
2010	1.5"	49.5 (1.95")	114.7 (4.52")	167.2 (6.58")	6.9 (.27")	105.8 (4.17")	25.6 (1.01")	69.6 (2.74")	---	---	
2100/2150	2"	133.5 (5.26")	141 (5.56")	226 (8.90")	21 (.83")	110 (4.33")	30 (1.18")	62.5 (2.46")	94 (3.70")	131.5 (5.18")	
2200		126.9 (5.00")	136.5 (5.37")	260 (10.24")	30 (1.18")	35 (1.38")	70 (2.75")	93 (3.66")	151 (5.94")		
2250	2.5"	137.5 (5.41")	141 (5.56")	275 (10.83")	25 (.98")	117 (4.61")	37.2 (1.46")	75.5 (2.97")	100 (3.94")	153 (6.02")	
2350	3"			328 (12.91")	38 (1.50")	141 (5.54")	50 (1.97")	100.6 (3.96")	106.3 (4.19")	179.3 (7.06")	
2400		158.2 (6.23")	164.2 (6.46")	340 (13.39")	29 (1.14")	151 (5.93")	49 (1.93")	96.6 (3.80")	110 (4.33")	186.5 (7.34")	

126500015
5/13/20

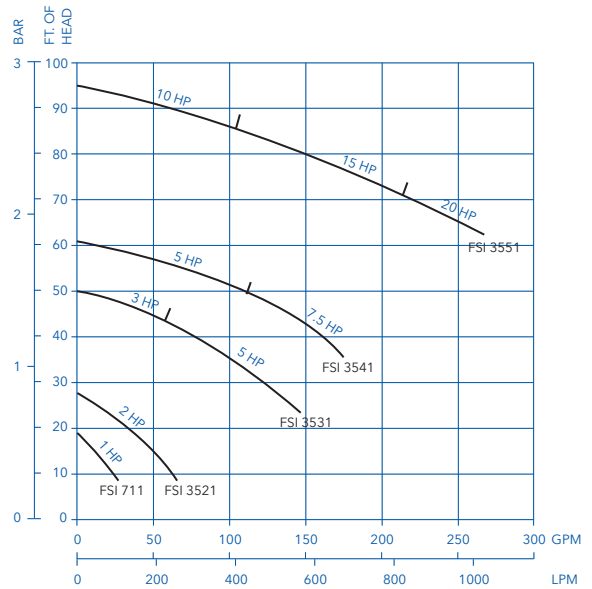
Composite Performance Curves



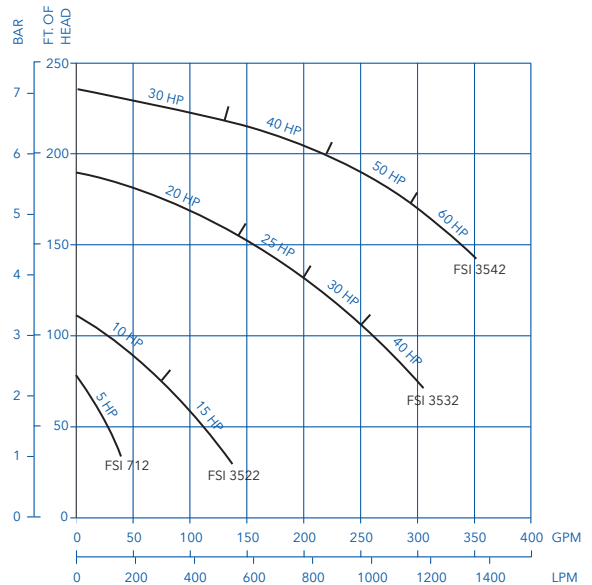
FRISTAM LIQUID RING PUMPS
FZX 1750 RPM



FRISTAM SHEAR PUMPS
FSI 1750 RPM



FSI 3500 RPM







CENTRIFUGAL



POSITIVE DISPLACEMENT



MIXING & BLENDING